



# SH410

## WIRING DIAGRAM MANUAL

**SUZUKI**  
*Caring for Customers*

Part No. 99512M70F10-02E

March, 2001

ENG.

## FOREWORD

This manual has been prepared to help inspection and service works involving electric wiring of the following model be done efficiently.

### Applicable model:SH410

In order to make a good use of this manual, it is important to have a full understanding of its first section "HOW TO USE THIS MANUAL".

All the data and information contained in this manual are based on the vehicle of certain specifications. Therefore, please note that the actual vehicle being serviced may vary somewhat because of differences in specifications or statutory regulations.

All information, illustrations and specifications contained in this literature are based on the latest product information available at the time of publication approval. And used as the main subject of description is the vehicle of standard specifications among others. Therefore, note that illustrations may differ from the vehicle being actually serviced. SUZUKI MOTOR CORPORATION reserves the right to make changes at any time without notice.

For inspection and service works of electrical parts, following reference materials are also available for your help.

### RELATED SERVICE MANUALS

SH410 Euro-3 .....	99500M70F01-01E
SH410 .....	99500M70F00-01E
SUPPLEMENTARY SERVICE MANUAL .....	99510M70F01-01E

**MARUTI UDYOG LIMITED**  
*SERVICE DIVISION*

**SUZUKI MOTOR CORPORATION**  
*TECHNICAL DEPARTMENT*  
*AUTOMOBILE SERVICE DIVISION*



<b>TABLE OF CONTENTS</b>	<b>SECTION</b>
<b>HOW TO USE THIS MANUAL</b>	<b>8A-1</b>
<b>CONNECTOR LAYOUT DIAGRAM</b>	<b>8A-3</b>
<b>INSTALLATION POSITIONS OF SINGLE UNIT PARTS</b>	<b>8A-4</b>
<b>GROUND POINT</b>	<b>8A-5</b>
<b>POWER SUPPLY DIAGRAM</b>	<b>8A-6</b>
<b>SYSTEM CIRCUIT DIAGRAM</b>	<b>8A-7</b>
<b>LIST OF CONNECTORS</b>	<b>8A-8</b>



**SECTION 8A-1**

**8A-1**

**HOW TO USE THIS MANUAL**

**CONTENTS**

Manual Contents and Description .....	8A-1-2
Applicability .....	8A-1-2
Cautions in Servicing .....	8A-1-3
Symbols and Marks .....	8A-1-6
Abbreviations .....	8A-1-7
Wire Color Symbols .....	8A-1-7
How to Read Connector Layout Diagram (SECTION 8A-3) .....	8A-1-8
Indication of Connectors and How to Read them .....	8A-1-9
How to Read Installation Positions of Single Unit Parts (SECTION 8A-4) .....	8A-1-11
How to Read Ground Point (SECTION 8A-5) .....	8A-1-12
How to Read Power Supply Diagram (SECTION 8A-6) .....	8A-1-13
How to Read System Circuit Diagram (SECTION 8A-7) .....	8A-1-14
How to Read List of Connectors (SECTION 8A-8) .....	8A-1-16

## MANUAL CONTENTS AND DESCRIPTION

This manual consists of diagrams showing the harness routing, connector layout, installation positions of single unit parts (fuse, relay, control unit), ground points, power circuit, system circuit and list of connectors.

SECTION		DESCRIPTION
Connector Layout Diagram	8A-3	Arrangement of connectors used in this vehicle is shown in relation with the wiring harness by using symbols in illustration.
Installation Positions of Single Unit Parts	8A-4	Positions where each fuse, relay and control unit are installed in this vehicle are shown.
Ground Point	8A-5	Points on the body where grounding is made are shown.
Power Supply Diagram	8A-6	Electric flow passage from the positive terminal of the battery to the main fuse and each fuse in the fuse box are shown and names of main systems that apply a load to each fuse are indicated.
System Circuit Diagram	8A-7	Individual circuit from the fuse to the ground of each system is shown. The circuit diagram is designed so as to show the electric flow from the top to the bottom in it.
List of Connectors	8A-8	Shapes of connectors used in this vehicle and arrangements of their pins are shown.

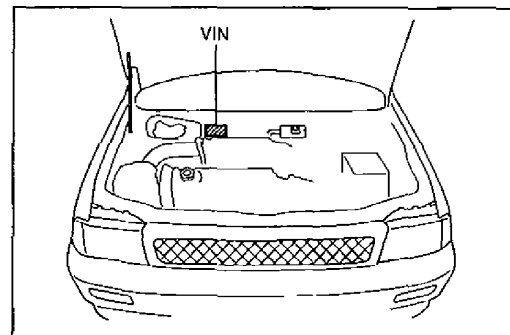
## APPLICABILITY

This manual is applicable to the vehicles listed below.

**NOTE:**

**Bear in mind that description in the text may vary from the actual vehicle depending on specifications.**

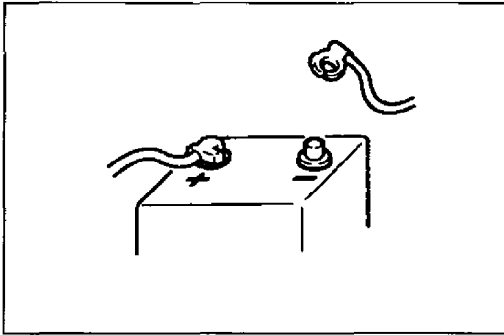
MODEL  
SH410



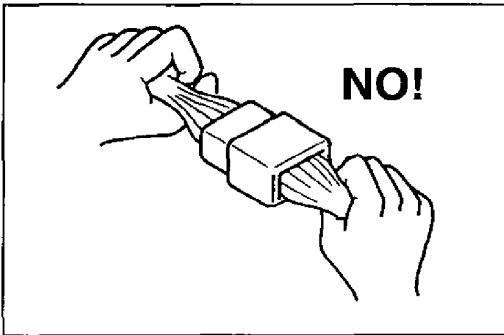
VIN: Vehicle Identification Number

## CAUTIONS IN SERVICING

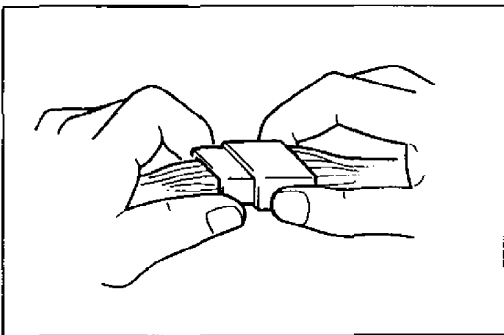
When performing works related to electric systems, observe following cautions for the purpose of protection of electrical parts and prevention of a fire from occurrence.



- When removing the battery from the vehicle or disconnecting the cable from the battery terminals for inspection or service works on the electric systems, always confirm first that the ignition switch and all the other switches have been turned OFF. Otherwise, the semi-conductor part may be damaged.
- When disconnecting cables from the battery, be sure to disconnect the one from the negative (-) terminal first and then the other from the positive (+) terminal.
- Reverse the above order when connecting the cables to the battery terminals.



- When disconnecting connectors, never pull the wiring harnesses. Unlock the connector lock first and then pull them apart by holding connectors themselves.



- When connecting connectors, also hold connectors and put them together until they lock securely (a click is heard).



## SYMBOLS AND MARKS

In the diagrams of this manual, each equipments are represented by the symbols and marks as shown below.

Battery	Ground		Normal Fuse	Slow blow fuse
Circuit breaker	Coil, Solenoid	Heater	Bulb	
Cigarette lighter	Motor	Pump	Horn	Speaker
Buzzer	Chime	Condenser	Thermistor	Reed switch
Resistance	Variable resistance		Transistor	
Photo transistor	Diode	Reference (zener) diode	Light emitting diode	Photo diode
Piezoelectric element	Harness		Relay	
	(Connected)	(Not connected)	Normal open relay	Normal closed relay
Connector	Switch		"O" Type terminal	

## ABBREVIATIONS

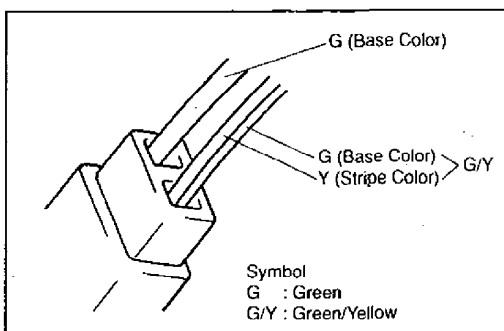
Listed below are the abbreviations as used in this manual and their full terms.

Abbreviation	Full term	Abbreviation	Full term
2WD	2 wheel drive vehicles	ILL	Illumination
4WD	4 wheel drive vehicles	PCM	Power train control module
A/C	Air conditioning	J/C	Joint connector
A/T	Automatic transmission	LH (D)	Left hand (drive vehicle)
ACC	Accessory	LO	Low
CKP	Crank shaft position	MAP	Manifold absolute pressure
CMP	Camshaft position	M/T	Manual transmission
DLC	Data link connector	P/N	Power/Normal
DRL	Daytime running light (If equipped)	RH (D)	Right hand (drive vehicle)
ECT	Engine coolant temperature	ECM	Engine control module
EGR	Exhaust gas recirculation	TCC	Torque converter clutch
HI	High	W/S	Weld splice
IAC	Idle air control	P/S	Power steering
IAT	Intake air temperature	INT	Intermittent
TCM	Transmission control module	O/D	Over drive
IG	Ignition	VSV	Vacuum switching valve

Symbol	Wire core	Symbol	Wire core
B	Black	Or	Orange
Bl	Blue	R	Red
Br	Brown	W	White
G	Green	Y	Yellow
Gr	Gray	P	Pink
Lbl	Light Blue	V	Violet
Lg	Light Green		

## WIRE COLOR SYMBOLS

The initial alphabet (s) of the color name is used to represent each color as listed at the left.



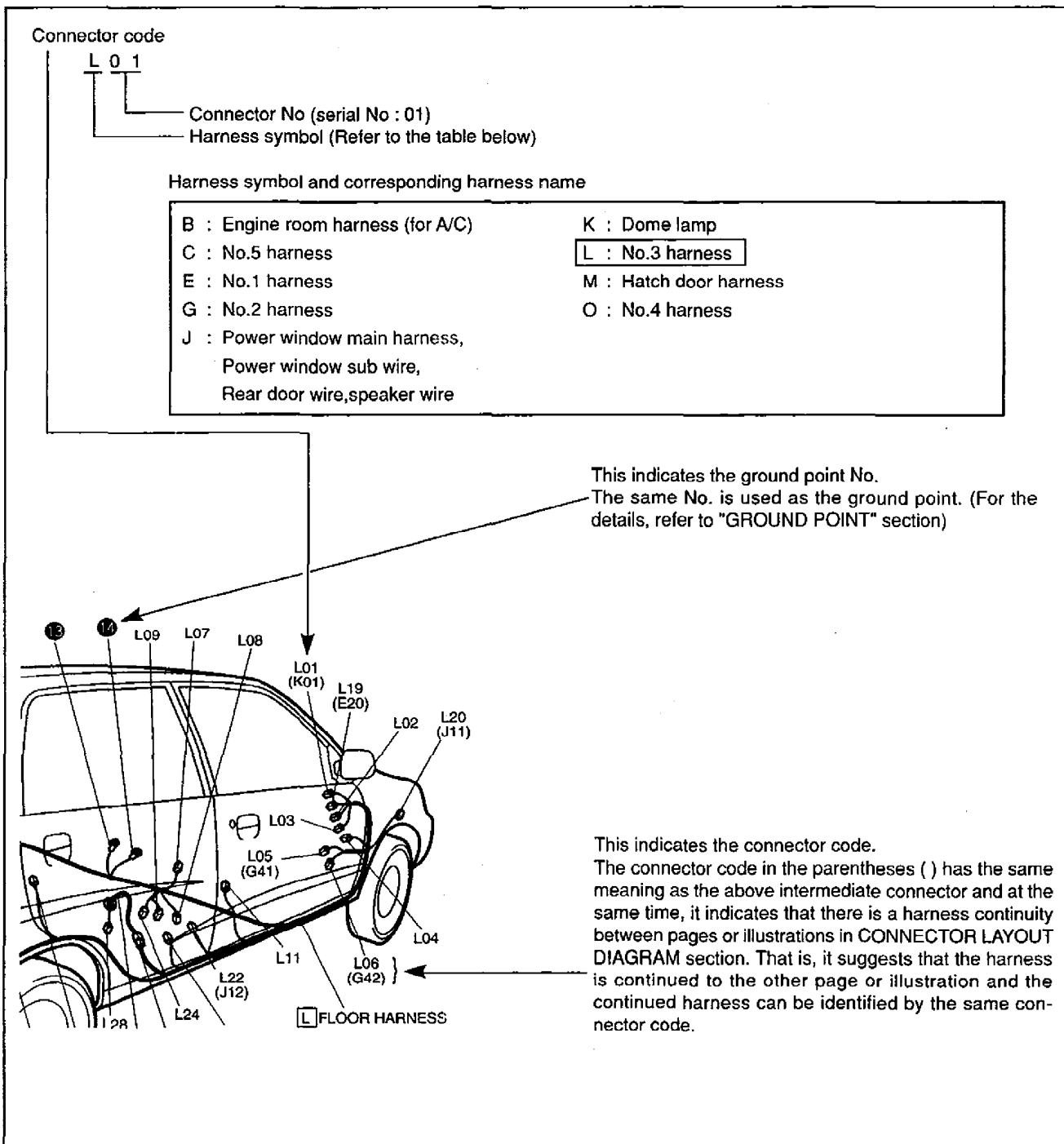
There are two types of wire color : one-color type and 2-color type (with a stripe). In case of 2-color type, the first alphabet ("G" of the example in the figure at the left) represents the basic color (color of wire insulation) and the next alphabet ("Y" of the example) represents the color of stripe.

## HOW TO READ CONNECTOR LAYOUT DIAGRAM

When necessary to know the location of an electrical part or an intermediate connector, it is easily possible to retrieve it by this diagram.

First consult "SYSTEM CIRCUIT DIAGRAM" section or connector table at the right hand pages of this section for the questioned connector code. Second refer to the diagrams of this section and look for the same code.

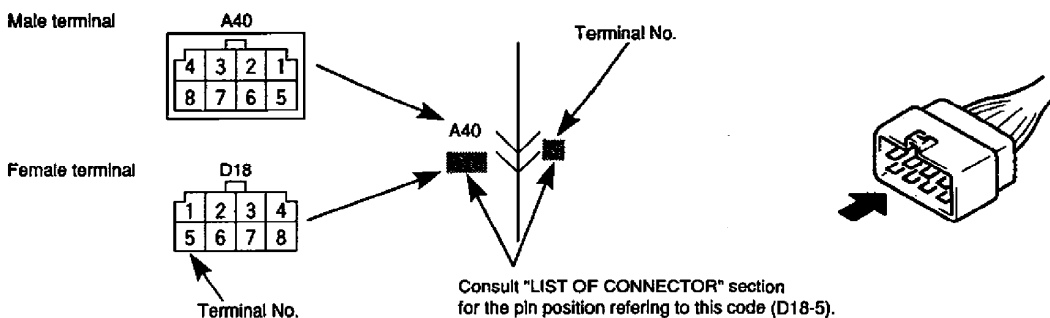
More information on use of the code is illustrated below.



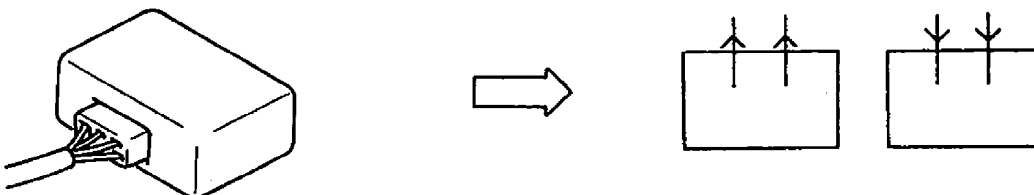
## INDICATION OF CONNECTORS AND HOW TO READ THEM

The connectors are indicated as shown below in "SYSTEM CIRCUIT DIAGRAM" section. For the shape and pin arrangement of each connector used in this manual, refer to "LIST OF CONNECTORS" section. Described below are how they are indicated and how to read them.

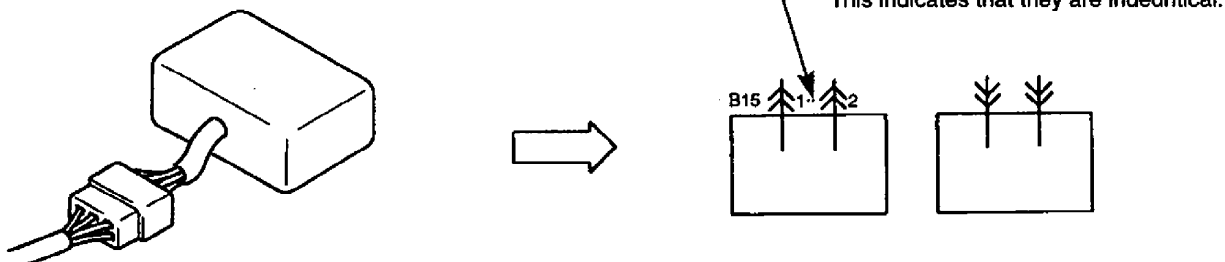
- The male terminal and female terminal are identified by a double enclosure and a single one respectively.  
• The intermediate connector which connects harnesses is shown by both shapes of the male terminal and the female terminal but the connector to be connected directly to the equipment is shown by the shape of the connector on the harness side.  
• The connectors described in this manual are always "harness side connectors" which are viewed from the direction as shown at the right..



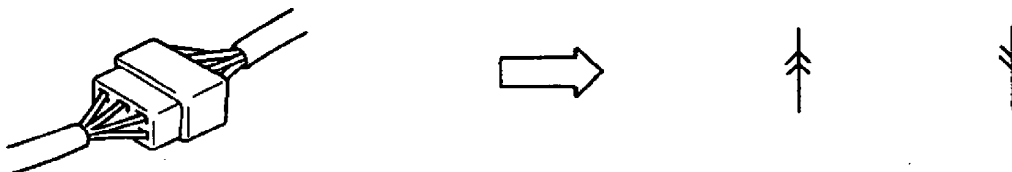
- There are three types of connectors with respect to the way it is connected and each type is illustrated as shown below.



• To be inserted directly into equipment



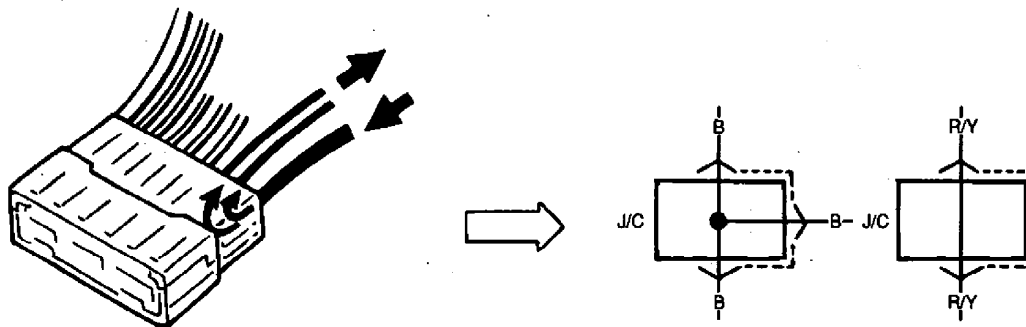
• To be connected with harness connector of equipment



• To connect between harnesses (intermediate connector)

8A-1-10 HOW TO USE THIS MANUAL

- 3. Joint connectors (if equipped) divide one wire into several different wires or combine several different wires into one wire.
- The joint connector is illustrated below.



How to Read Connector Codes and Pin Nos. (How to Use Manual) :

It is possible to retrieve the location and shape of each connector from the connector code indicated in "SYSTEM CIRCUITDIAGRAM" section and the position of each pin from the connector pin No.

\*To retrieve location of connector :

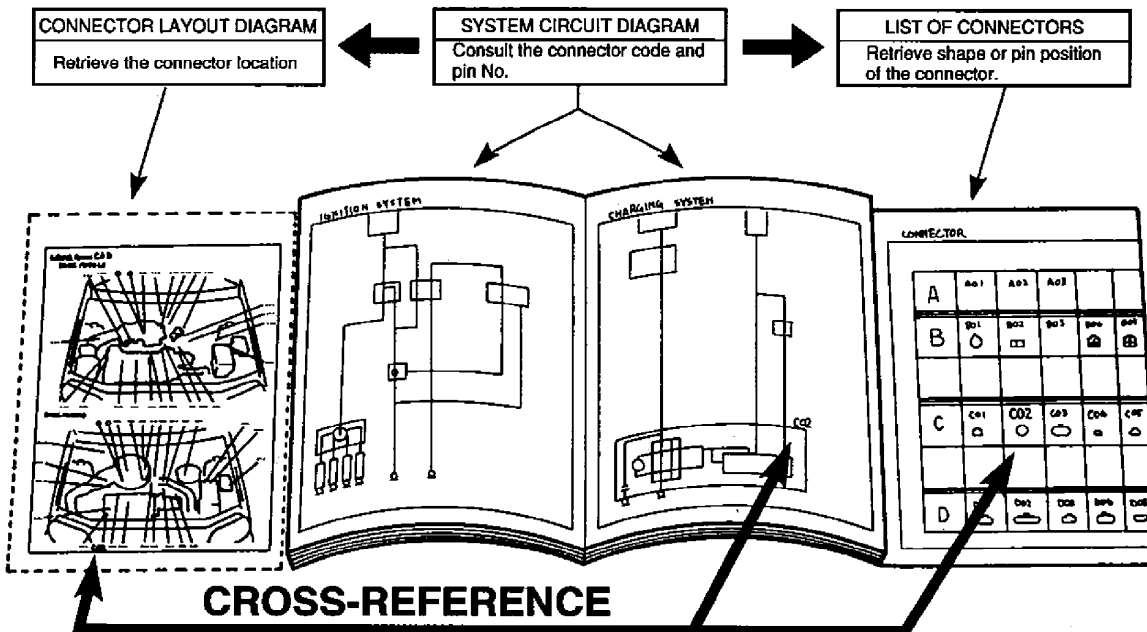
Open "SYSTEM CIRCUIT DIAGRAM" section to consult the connector code of the questioned connector. Then, refer to "CONNECTOR LAYOUT DIAGRAM" section and look for the same code as the connector code in question. The place where the code is found is the location of that connector.

\*To retrieve shape or pin No.

Open "SYSTEM CIRCUIT DIAGRAM" section to consult the connector code and pin No. of the questioned connector. Then, refer to "LIST OF CONNECTORS" section as shown at the right in the figure below and look for the desired connector code under which the shape of that connector is shown. This method is convenient when locating the connector in question among similar connectors. Also, by using this page, it is possible to find the position of each pin from the connector pin No. provided in "SYSTEM CIRCUIT DIAGRAM" section.

It is helpful when retrieving pin position in the connector for checking continuity between pins.

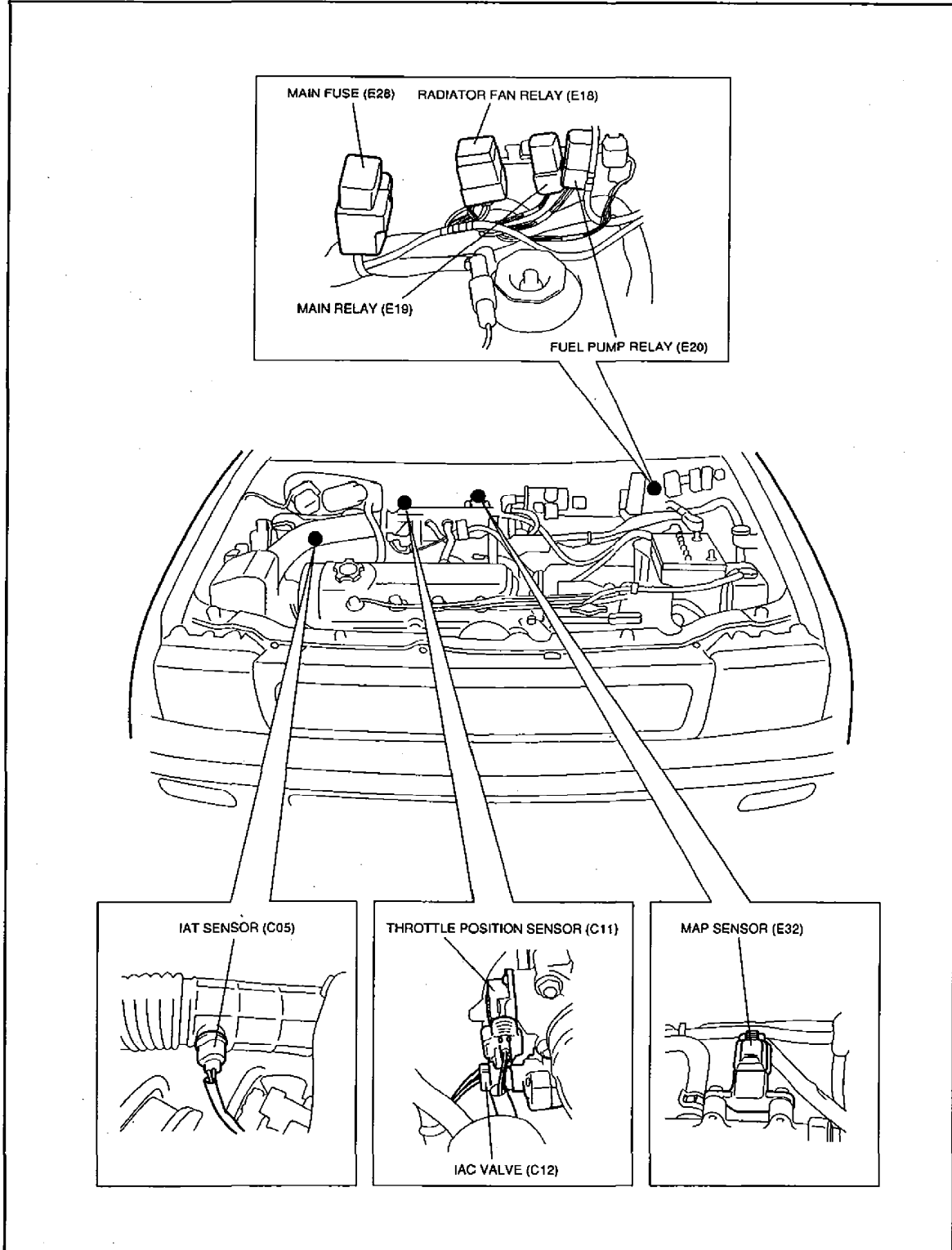
To know the location, shape or pin position of the connector, cross-refer between "SYSTEM CIRCUIT DIAGRAM", "CONNECTOR LAYOUT DIAGRAM" and "LIST OF CONNECTOR" section as follows:



## HOW TO READ INSTALLATION POSITION OF SINGLE UNIT PARTS

The diagram in "INSTALLATION POSITION OF SINGLE UNIT PARTS" section shows installation positions of fuse, relays and control units used in this vehicle. They are illustrated as shown below.

### ENGINE ROOM



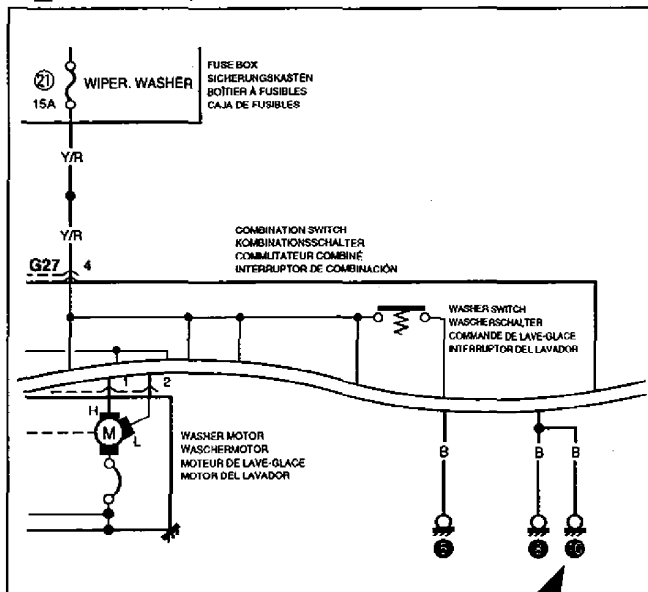
# HOW TO READ GROUND POINT

Ground point means the position where the negative harness among wiring harnesses is grounded. The diagram in "GROUND POINT" section shows such ground points. In "SYSTEM CIRCUIT DIAGRAM" section, there are many ground marks followed by black circles with numerical figures in them ( 10 ) which mean that the end of the harness with such black circle is grounded to some part of the vehicle.

To locate the ground point (installation position), refer to "GROUND POINT" section.

## "SYSTEM CIRCUIT DIAGRAM" section

### FRONT WIPER & WASHER



[How to locate ground point]

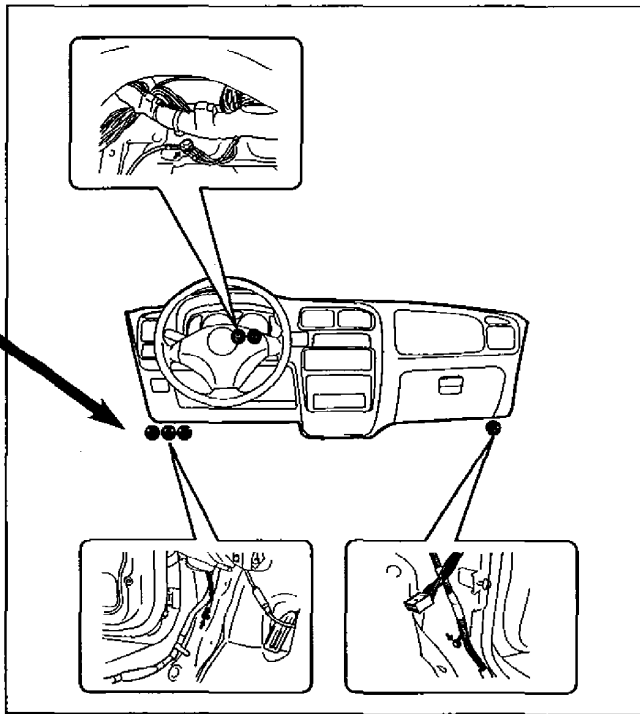
Look in "GROUND POINT" section for the black circle with the same numerical figure ( 10 ) as the described one in "SYSTEM CIRCUIT DIAGRAM" section.

NOTE:

If there is an electrical part whose ground point is not found in "GROUND POINT" section, that part itself serves as a ground.

## CROSS-REFERENCE

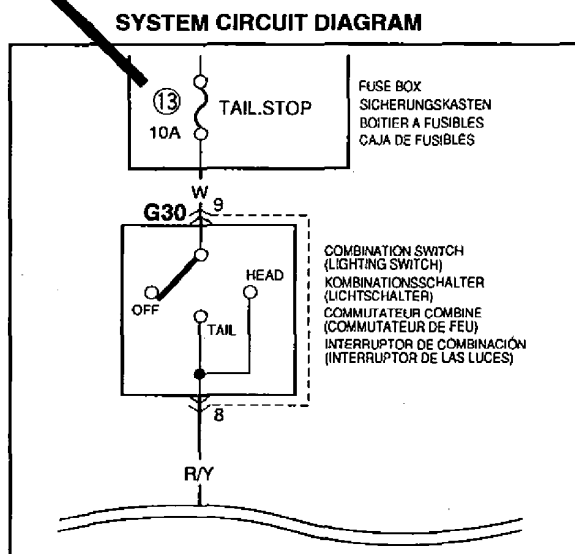
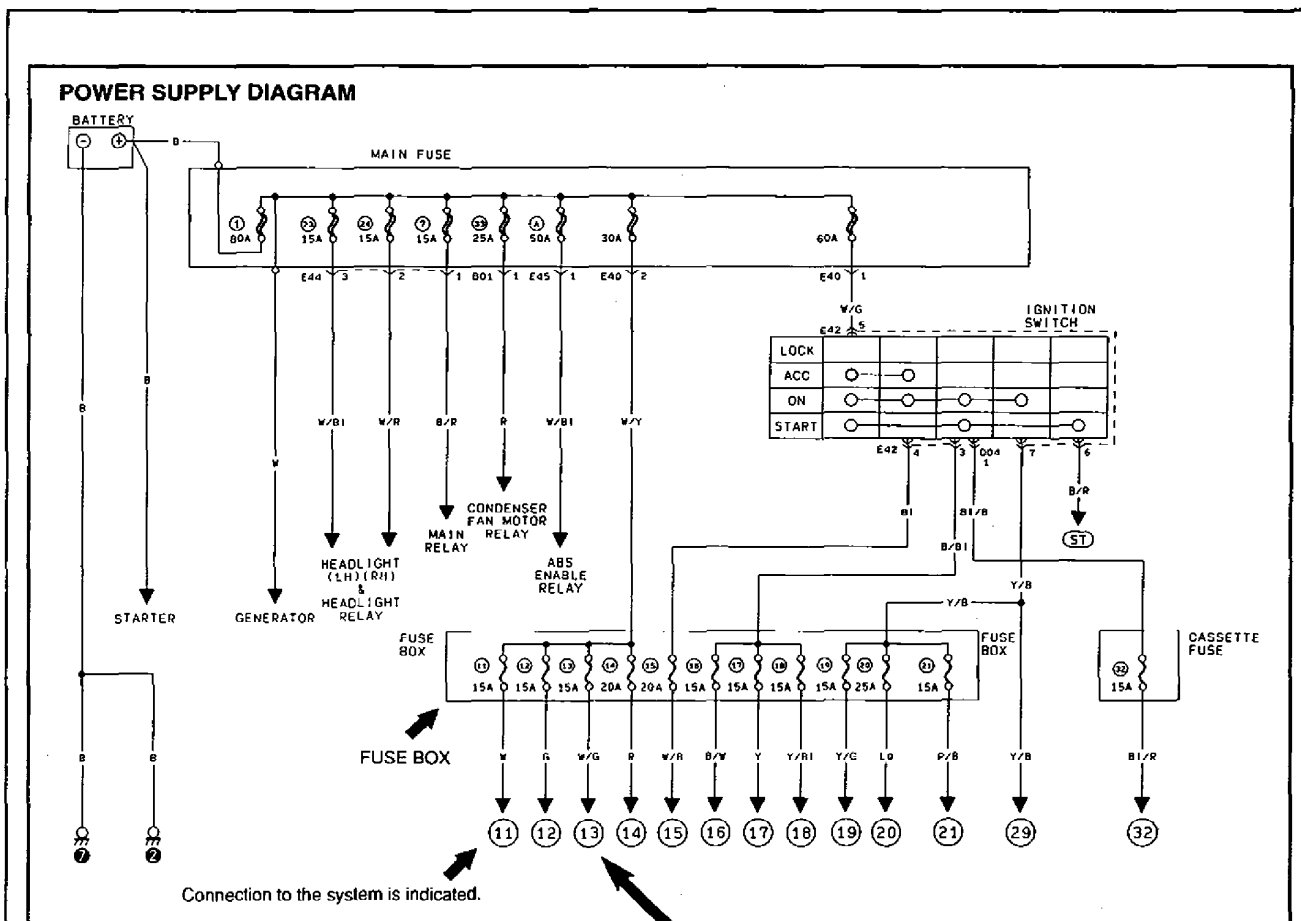
## "GROUND POINT" section



# HOW TO READ POWER SUPPLY DIAGRAM

Power Supply Diagram shows the circuit from the positive terminal of the battery to each fuse in the box and where each fuse is connected (each system circuit name). In addition, the electric load value of each fuse is indicated.

Since every "SYSTEM CIRCUIT DIAGRAM" is drawn from the circuit down the fuse, cross-refer to "POWER SUPPLY DIAGRAM" for the continuity of the upper circuit referring to Fuse No. such as (21).

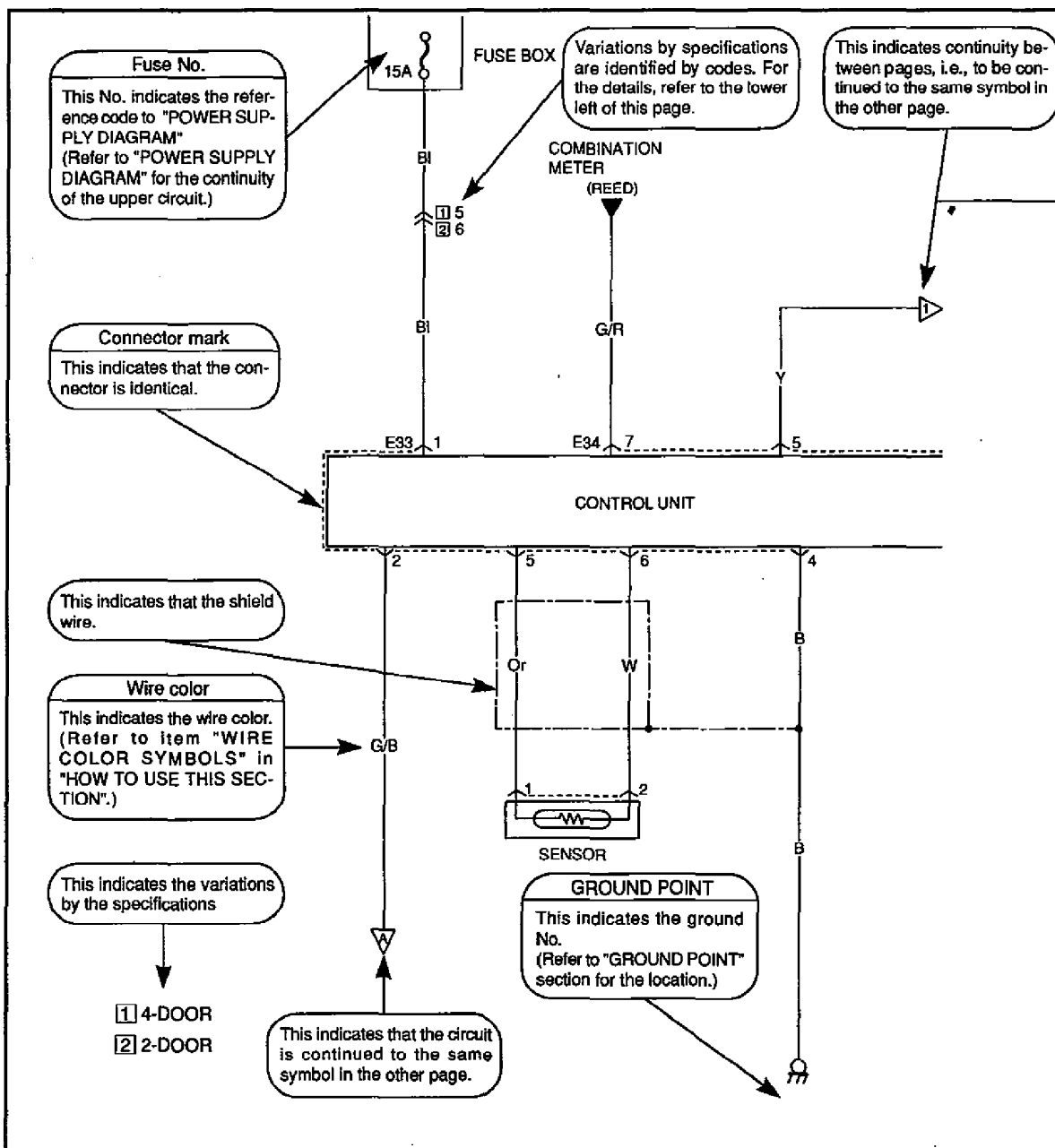


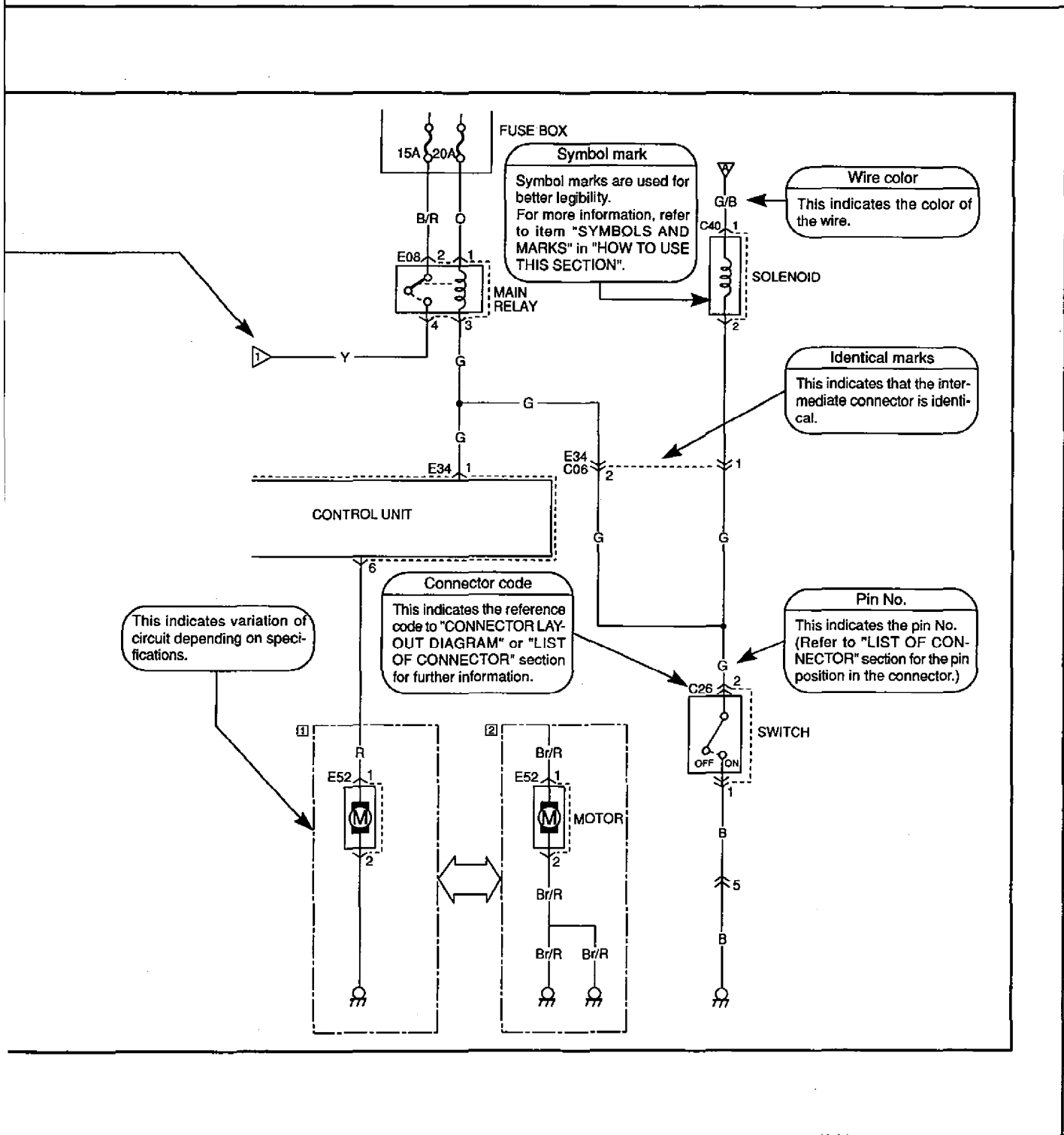


# HOW TO READ SYSTEM CIRCUIT DIAGRAM

The circuit diagram of each system shows the electric circuit from the main fuse, fuse box or the ignition switch (at the top in the diagram) to the ground (at the bottom) so that the circuit can be followed easily when performing inspection and service work.

Further information on connector, ground point and fuses is provided by cross-reference of "SYSTEM CIRCUIT DIAGRAM" and the other sections as described in the preceding indications of this section. Connector code, ground No. and fuse No. are the reference code for cross-reference.





## HOW TO READ LIST OF CONNECTORS

"LIST OF CONNECTORS" section is provided to help identification when looking for the connector in question out of similar ones as well as for retrieval for positions of pins in the connector when checking continuity between pins, etc. Please note that the list is drawn to symbolize the basic configurations of the connectors and some connectors in the list may discrepant to the actual ones depending on the specifications.

### How to Use List of Connectors :

It is easily possible to find the shape of the connector in question and its pin positions by locating the same connector code and the pin Nos. as those in "SYSTEM CIRCUIT DIAGRAM" section from "LIST OF CONNECTORS" section.

For further information on its use, refer to item "INDICATION OF CONNECTORS AND HOW TO READ THEM" in this section.

**SECTION 8A-3**

**CONNECTOR LAYOUT DIAGRAM**

**8A-3**

**CONTENTS**

**ENGINE ROOM**

A: Battery ground cable ..... 8A-3-2  
B: Engine room harness (For A/C) ..... 8A-3-2  
C: No.5 harness ..... 8A-3-4  
E: No.1 harness ..... 8A-3-12

**INSTRUMENT PANEL**

E: No.1 harness ..... 8A-3-20  
G: No.2 harness ..... 8A-3-28

**DOOR**

J: Power window main wire ..... 8A-3-32  
J: Power window sub wire ..... 8A-3-32  
J: Speaker wire ..... 8A-3-32  
J: Rear door wire ..... 8A-3-32  
K: Dome lamp wire ..... 8A-3-32

**FLOOR**

L: No.3 harness ..... 8A-3-40

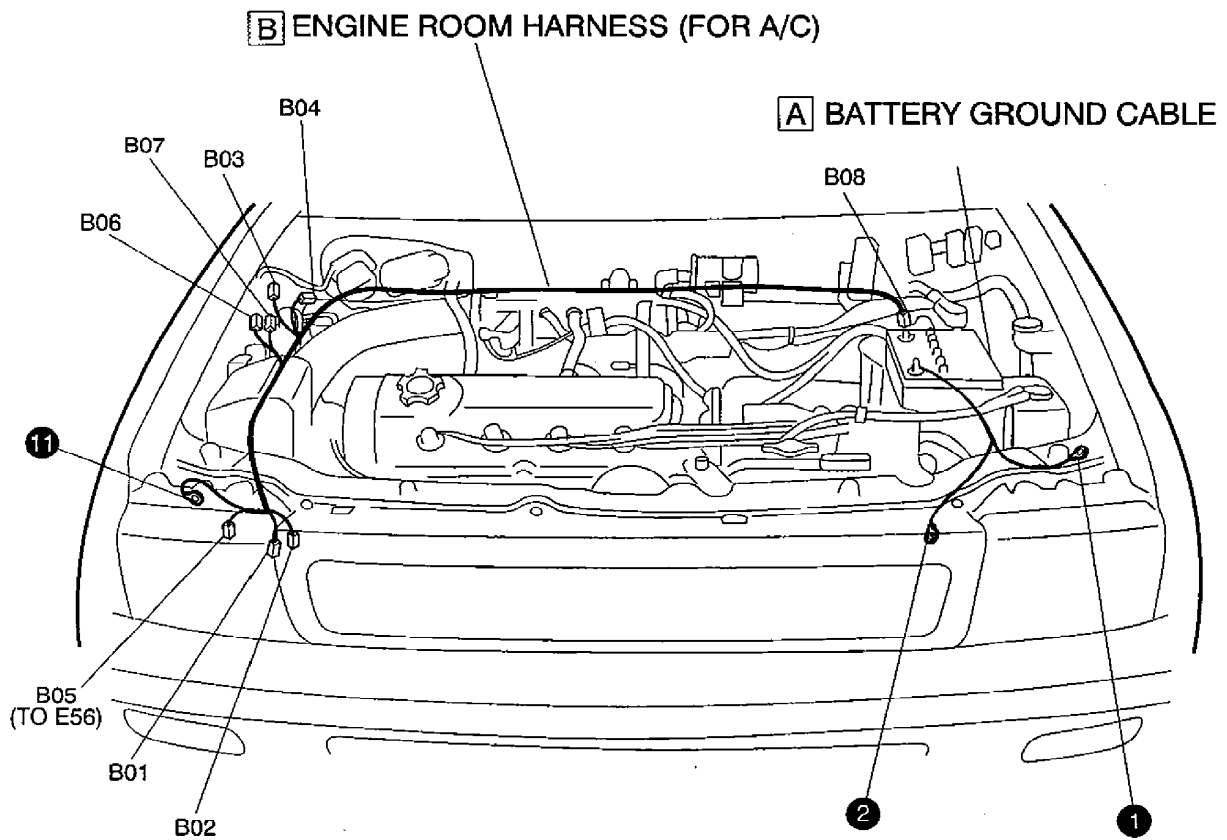
**REAR**

M: No.4 harness ..... 8A-3-44  
O: Hatch door harness ..... 8A-3-44

8A-3-2 CONNECTOR LAYOUT DIAGRAM

**A** **B** **ENGINE ROOM**

**A: BATTERY GROUND CABLE**  
**B: ENGINE ROOM HARNESS (FOR A/C)**



CONNECTOR	CONNECTIVE POSITION
ENGINE ROOM HARNESS	
B01	A/C COMPRESSOR
B02	CONDENSER FAN MOTOR
B03	DUAL PRESSURE SWITCH
B04	A/C COMPRESSOR RELAY
B05	No.1 HARNESS (TO E56)
B06	A/C CONDENSER FAN RELAY
B07	A/C FUSE
B08	FUSIBLE LINK

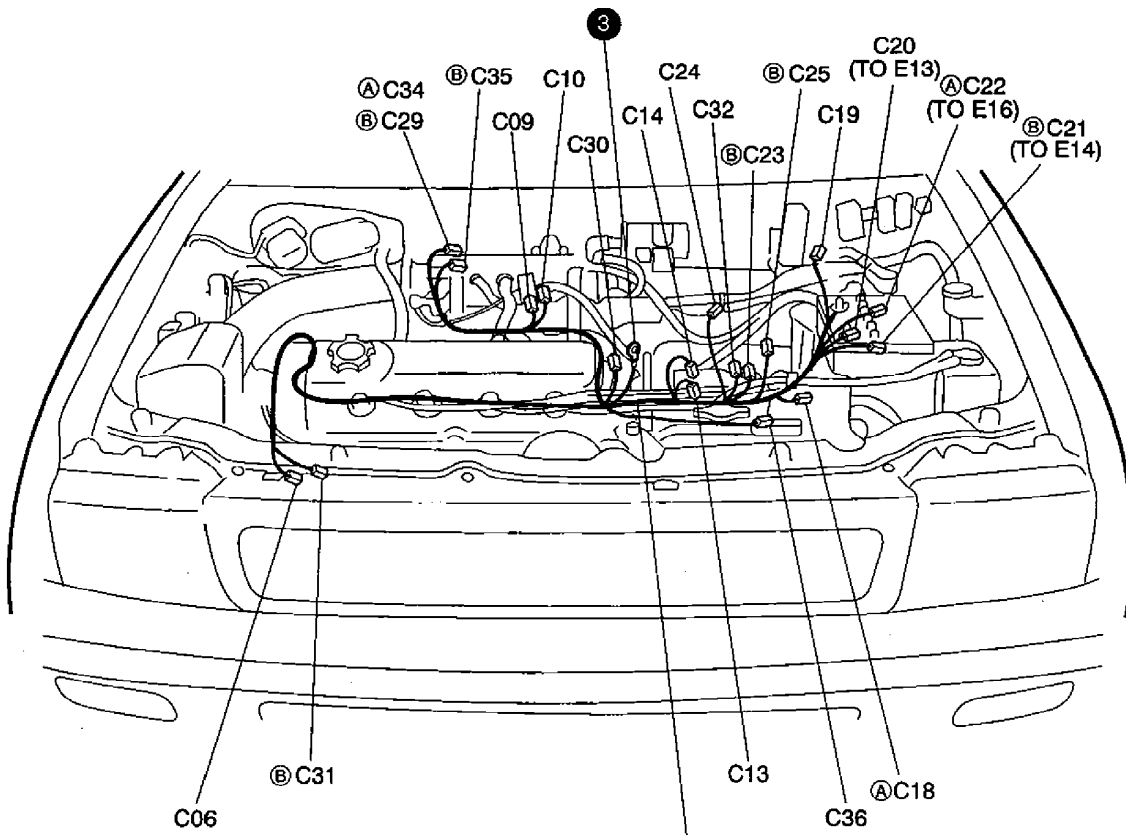
8A-3-4 CONNECTOR LAYOUT DIAGRAM

C

# ENGINE ROOM (RH CARB)

C: No.5 HARNESS

- Ⓐ FOR M/T MODEL
- Ⓑ FOR A/T MODEL



Ⓒ No.5 HARNESS

CONNECTOR	CONNECTIVE POSITION
NO. 5 HARNESS	
C06	OIL PRESSURE SWITCH
C09	GENERATOR
C10	GENERATOR
C13	STARTING MOTOR
C14	STARTING MOTOR
C18	BACK-UP LIGHT SWITCH (FOR M/T MODEL)
C19	MAIN FUSE
C20	No.1 HARNESS (TO E13)
C21	No.1 HARNESS (TO E14) (FOR A/T MODEL)
C22	No.1 HARNESS (TO E16)
C23	OUTPUT SHAFT SPEED SENSOR (FOR A/T MODEL)
C24	TRANSMISSION RANGE SENSOR (FOR A/T MODEL)
C25	SHIFT SOLENOID (FOR A/T MODEL)
C29	THROTTLE POSITION SENSOR (FOR A/T MODEL)
C30	TEMP GAUGE
C31	IDLE UP VSV (FOR A/T MODEL)
C32	RADIATOR FAN SWITCH
C34	CARB SOLENOID (FOR M/T MODEL)
C35	IDLE SWITCH AND FC SOLENOID (FOR A/T MODEL)
C36	DISTRIBUTOR



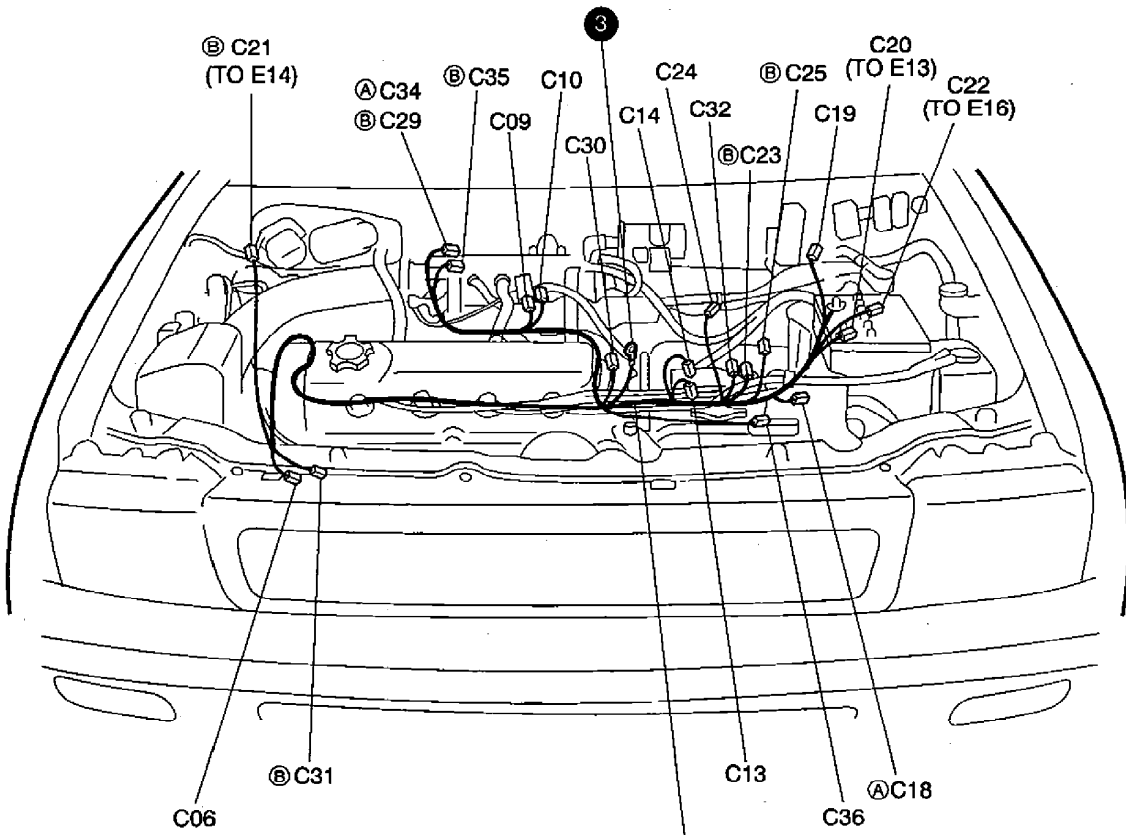
8A-3-6 CONNECTOR LAYOUT DIAGRAM

**C**

# ENGINE ROOM (LH CARB)

**C: No.5 HARNESS**

- Ⓐ FOR M/T MODEL
- Ⓑ FOR A/T MODEL



**C** No.5 HARNESS

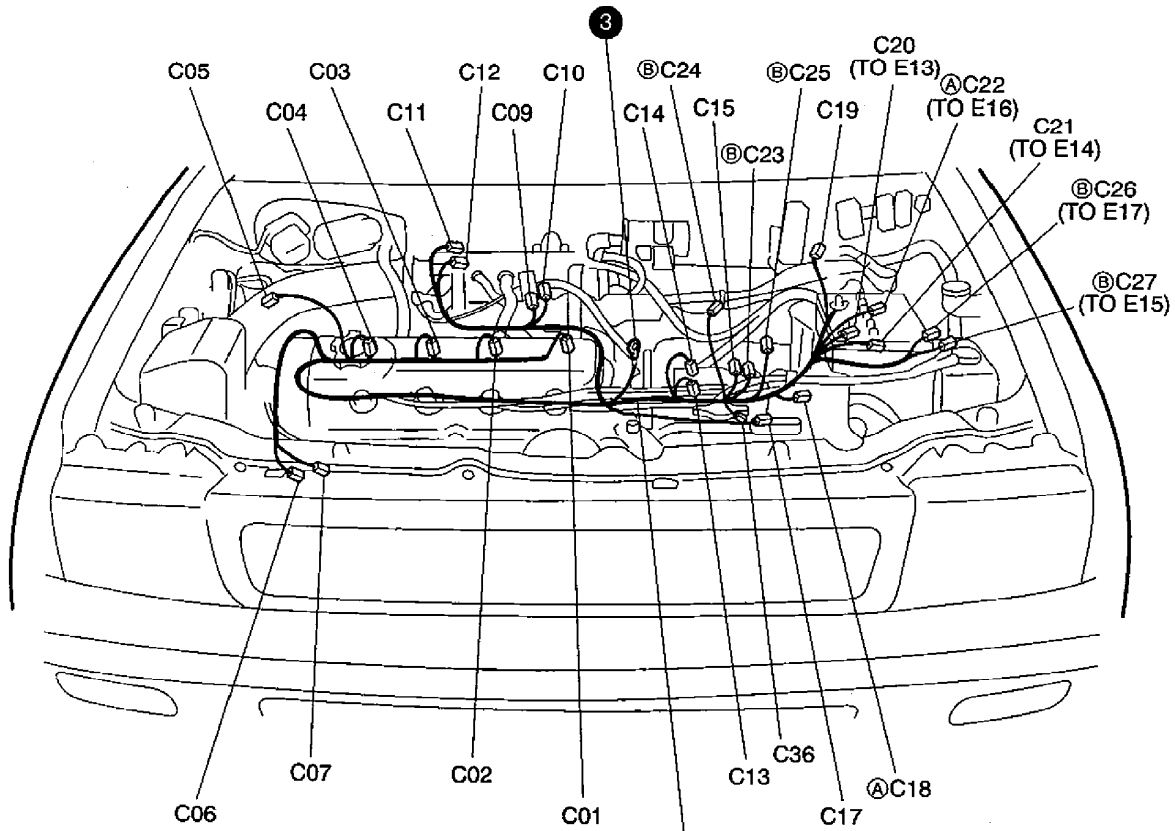
CONNECTOR	CONNECTIVE POSITION
NO. 5 HARNESS	
C06	OIL PRESSURE SWITCH
C09	GENERATOR
C10	GENERATOR
C13	STARTING MOTOR
C14	STARTING MOTOR
C18	BACK-UP LIGHT SWITCH (FOR M/T MODEL)
C19	MAIN FUSE
C20	No.1 HARNESS (TO E13)
C21	No.1 HARNESS (TO E14) (FOR A/T MODEL)
C22	No.1 HARNESS (TO E16)
C23	OUTPUT SHAFT SPEED SENSOR (FOR A/T MODEL)
C24	TRANSMISSION RANGE SENSOR (FOR A/T MODEL)
C25	SHIFT SOLENOID (FOR A/T MODEL)
C29	THROTTLE POSITION SENSOR (FOR A/T MODEL)
C30	TEMP GAUGE
C31	IDLE UP VSV (FOR A/T MODEL)
C32	RADIATOR FAN SWITCH
C34	CARB SOLENOID (FOR M/T MODEL)
C35	IDLE SWITCH AND FC SOLENOID (FOR A/T MODEL)
C36	DISTRIBUTOR

C

# ENGINE ROOM (RH MPI)

C: No.5 HARNESS

- Ⓐ FOR M/T MODEL
- Ⓑ FOR A/T MODEL



Ⓒ No.5 HARNESS

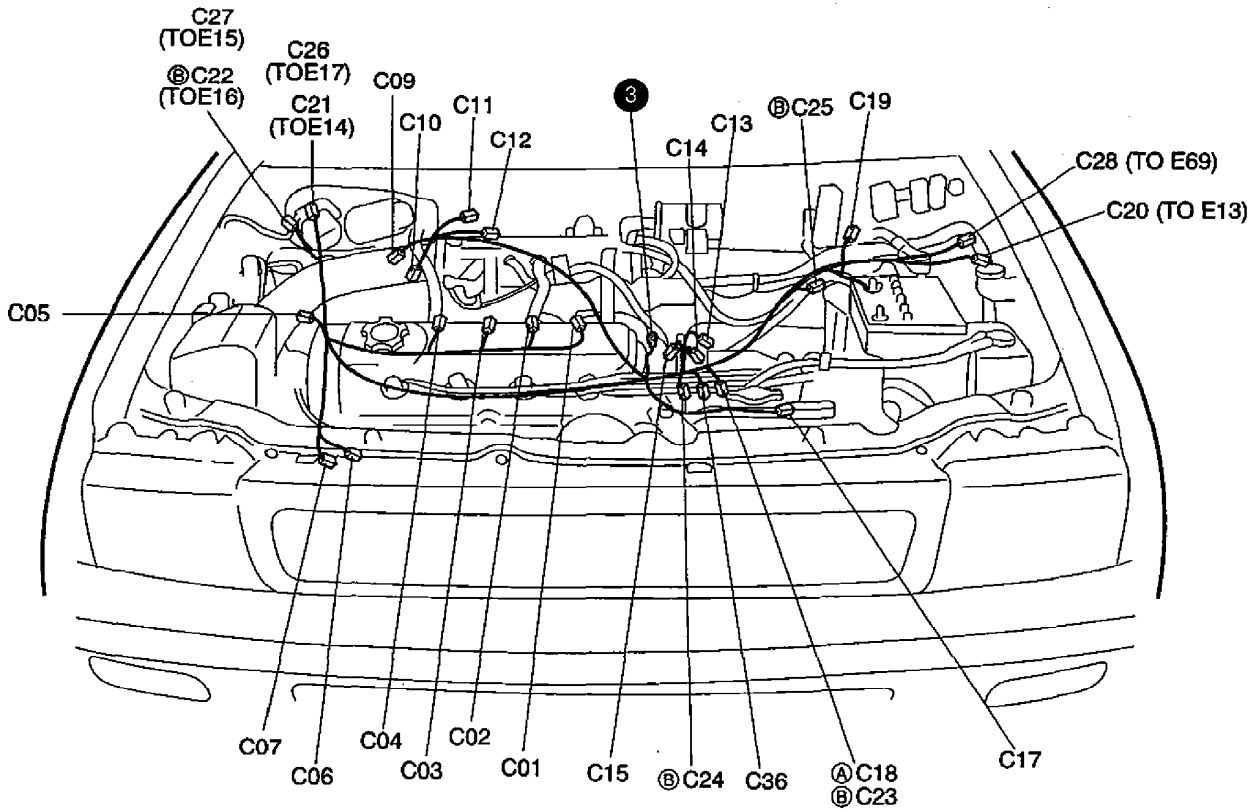
CONNECTOR	CONNECTIVE POSITION
No. 5 HARNESS	
C01	INJECTOR #4
C02	INJECTOR #3
C03	INJECTOR #2
C04	INJECTOR #1
C05	IAT SENSOR
C06	OIL PRESSURE SWITCH
C07	HEATED OXYGEN SENSOR
C09	GENERATOR
C10	GENERATOR
C11	THROTTLE POSITION SENSOR
C12	IAC VALVE
C13	STARTING MOTOR
C14	STARTING MOTOR
C15	ECT SENSOR
C17	CKP SENSOR
C18	BACK-UP LIGHT SWITCH (FOR M/T MODEL)
C19	MAIN FUSE
C20	No.1 HARNESS (TO E13)
C21	No.1 HARNESS (TO E14) (FOR A/T MODEL)
C22	No.1 HARNESS (TO E16)
C23	OUTPUT SHAFT SPEED SENSOR (FOR A/T MODEL)
C24	TRANSMISSION RANGE SENSOR (FOR A/T MODEL)
C25	SHIFT SOLENOID (FOR A/T MODEL)
C26	No.1 HARNESS (TO E17) (FOR A/T MODEL)
C27	No.1 HARNESS (TO E15) (FOR A/T MODEL)
C36	CMP SENSOR

C

# ENGINE ROOM (LH MPI)

C: No.5 HARNESS

Ⓐ FOR M/T MODEL  
Ⓑ FOR A/T MODEL



CONNECTOR	CONNECTIVE POSITION
No. 5 HARNESS	
C01	INJECTOR #4
C02	INJECTOR #3
C03	INJECTOR #2
C04	INJECTOR #1
C05	IAT SENSOR
C06	OIL PRESSURE SWITCH
C07	HEATED OXYGEN SENSOR
C09	GENERATOR
C10	GENERATOR
C11	THROTTLE POSITION SENSOR
C12	IAC VALVE
C13	STARTING MOTOR
C14	STARTING MOTOR
C15	ECT SENSOR
C17	CKP SENSOR
C18	BACK-UP LIGHT SWITCH (FOR M/T MODEL)
C19	MAIN FUSE
C20	No.1 HARNESS (TO E13)
C21	No.1 HARNESS (TO E14)
C22	No.1 HARNESS (TO E16) (FOR A/T MODEL)
C23	OUTPUT SHAFT SPEED SENSOR (FOR A/T MODEL)
C24	TRANSMISSION RANGE SENSOR (FOR A/T MODEL)
C25	SHIFT SOLENOID (FOR A/T MODEL)
C26	No.1 HARNESS (TO E17) (FOR A/T MODEL)
C27	No.1 HARNESS (TO E15) (FOR A/T MODEL)
C28	No.1 HARNESS (TO E69)
C36	CMP SENSOR

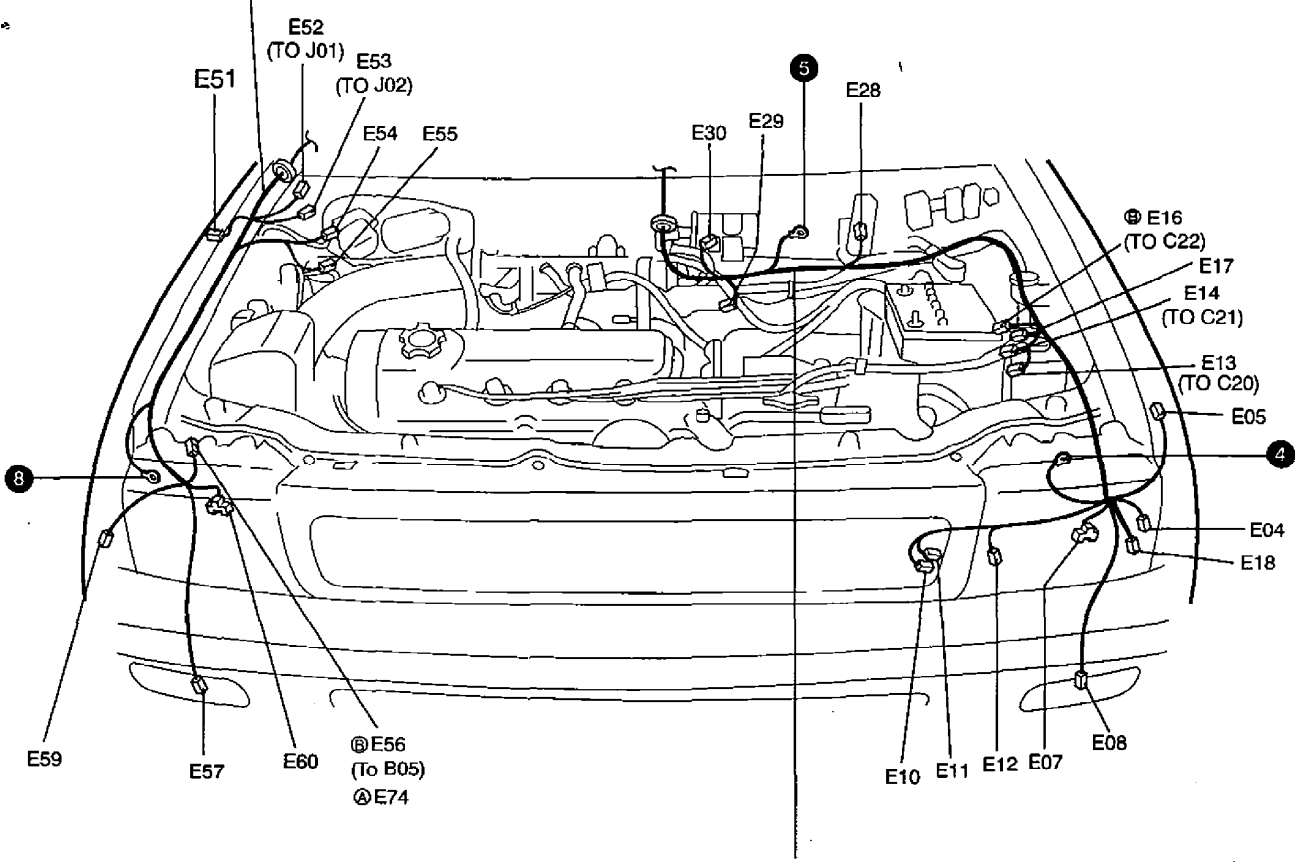
**E**

# ENGINE ROOM (CARB. RH)

**E: No. 1 HARNESS**

- Ⓐ FOR M/T MODEL
- Ⓑ FOR A/T MODEL

**E** No. 1 HARNESS



**E** No. 1 HARNESS

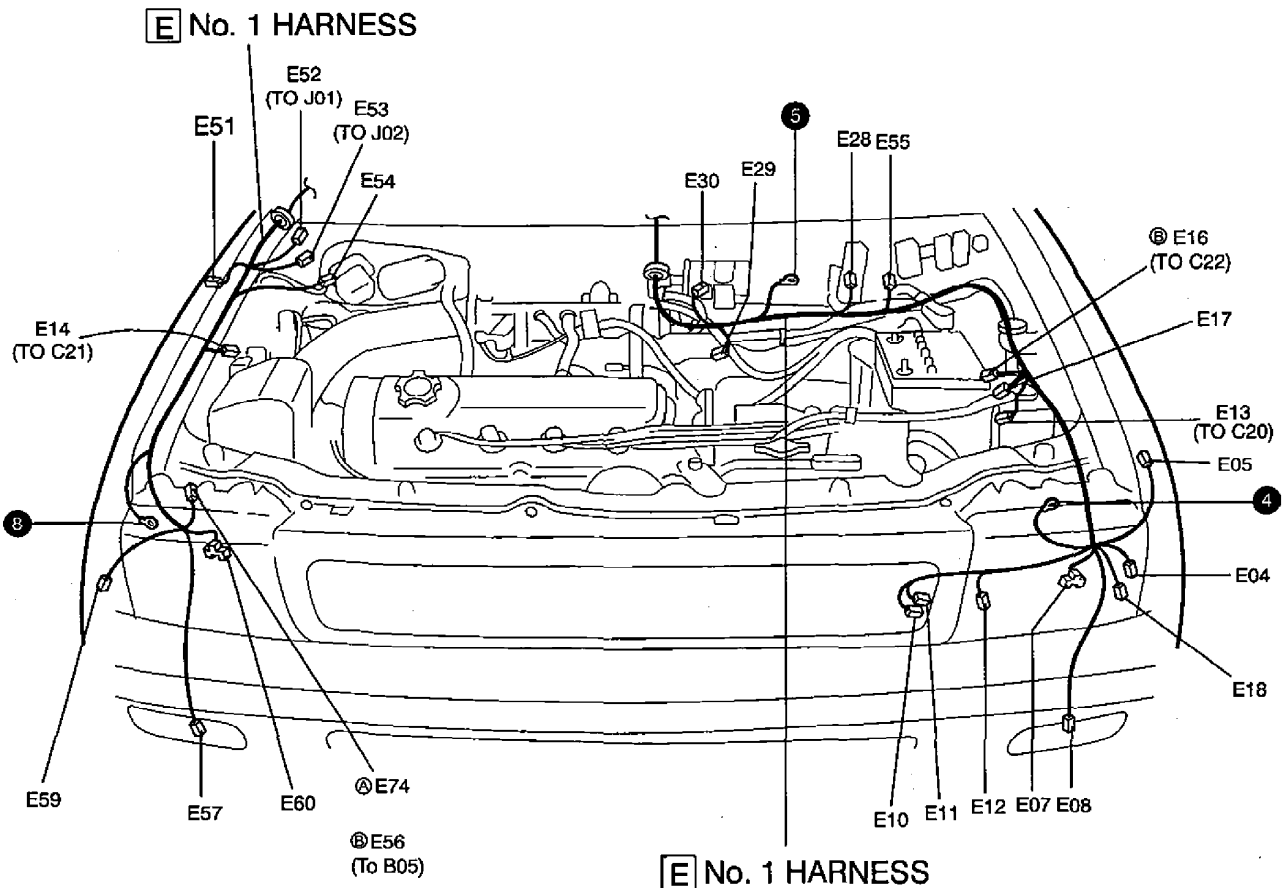
CONNECTOR	CONNECTIVE POSITION
No. 1 HARNESS	
E04	FRONT POSITION LIGHT (L)
E05	FRONT WASHER MOTOR
E07	HEAD LIGHT (L)
E08	FRONT TURN SIGNAL LIGHT (L)
E10	HORN #1
E11	HORN #2
E12	RADIATOR FAN MOTOR
E13	No.5 HARNESS (TO C20)
E14	No.5 HARNESS (TO C21)
E16	No.5 HARNESS (TO C22) (FOR M/T MODEL)
E17	No.5 HARNESS (TO C26) (FOR A/T MODEL)
E18	RADIATOR FAN RELAY
E28	MAIN FUSE
E29	NOISE SUPPRESSOR
E30	IGNITION COIL
E51	SIDE TURN SIGNAL LIGHT (R)
E52	POWER WINDOW MAIN WIRE (TO J01)
E53	POWER WINDOW MAIN WIRE (TO J02)
E54	FRONT WIPER MOTOR
E55	BRAKE FLUID LEVEL SWITCH
E56	A/C HARNESS (TO B05) (FOR A/T MODEL)
E57	FRONT TURN SIGNAL LIGHT (R)
E59	FRONT POSITION LIGHT (R)
E60	HEAD LIGHT (R)
E74	A/C HARNESS (FOR M/T MODEL)



**E**

# ENGINE ROOM (CARB. LH)

**E: No. 1 HARNESS**



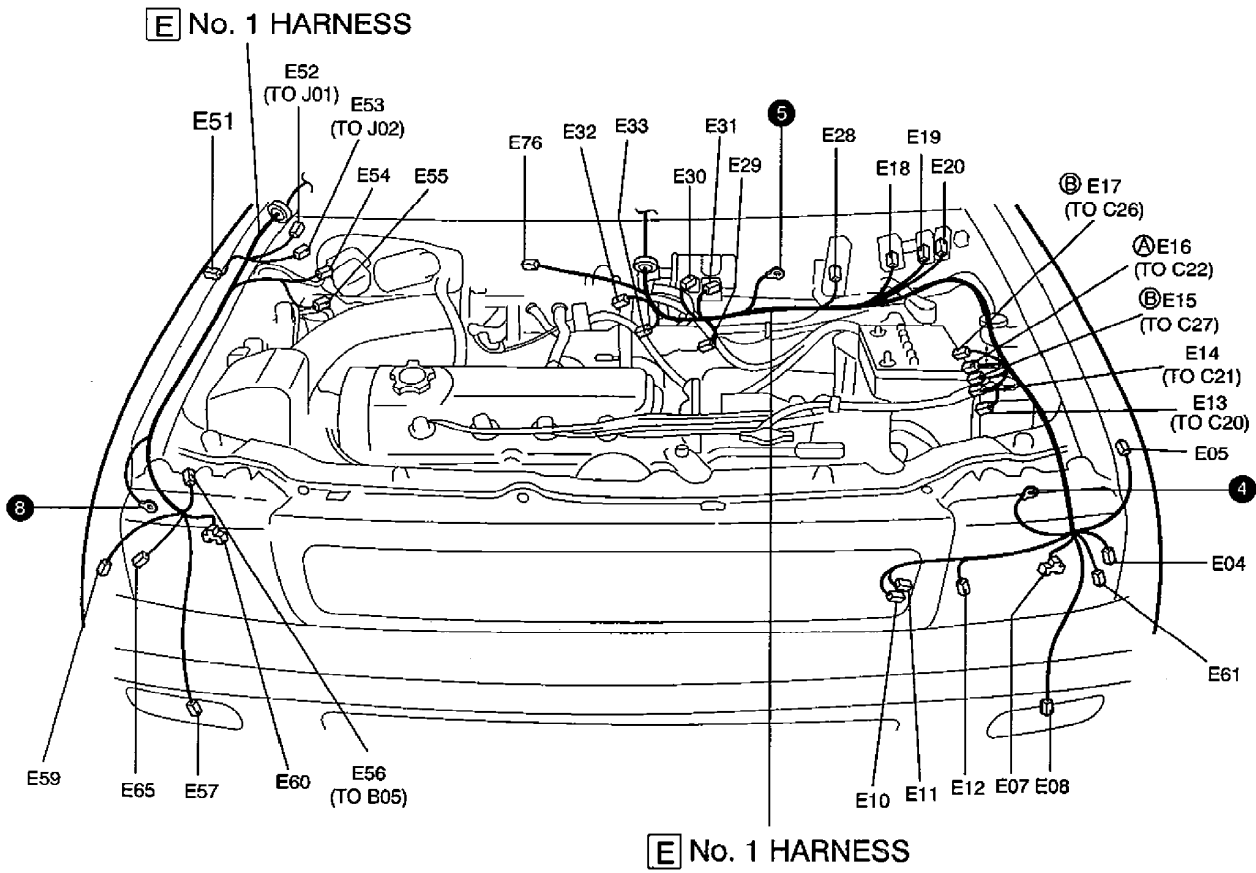
CONNECTOR	CONNECTIVE POSITION
No. 1 HARNESS	
E04	FRONT POSITION LIGHT (L)
E05	FRONT WASHER MOTOR
E07	HEAD LIGHT (L)
E08	FRONT TURN SIGNAL LIGHT (L)
E10	HORN #1
E11	HORN #2
E12	RADIATOR FAN MOTOR
E13	No.5 HARNESS (TO C20)
E14	No.5 HARNESS (TO C21)
E16	No.5 HARNESS (TO C22) (FOR M/T MODEL)
E17	No.5 HARNESS (TO C26) (FOR A/T MODEL)
E18	RADIATOR FAN RELAY
E28	MAIN FUSE
E29	NOISE SUPPRESSOR
E30	IGNITION COIL
E51	SIDE TURN SIGNAL LIGHT (R)
E52	POWER WINDOW MAIN WIRE (TO J01)
E53	POWER WINDOW MAIN WIRE (TO J02)
E54	FRONT WIPER MOTOR
E56	A/C HARNESS (TO B05) (FOR A/T MODEL)
E57	FRONT TURN SIGNAL LIGHT (R)
E59	FRONT POSITION LIGHT (R)
E60	HEAD LIGHT (R)
E74	A/C HARNESS (FOR M/T MODEL)

**E**

# ENGINE ROOM (MPI RH)

## E: No. 1 HARNESS

- Ⓐ FOR M/T MODEL
- Ⓑ FOR A/T MODEL



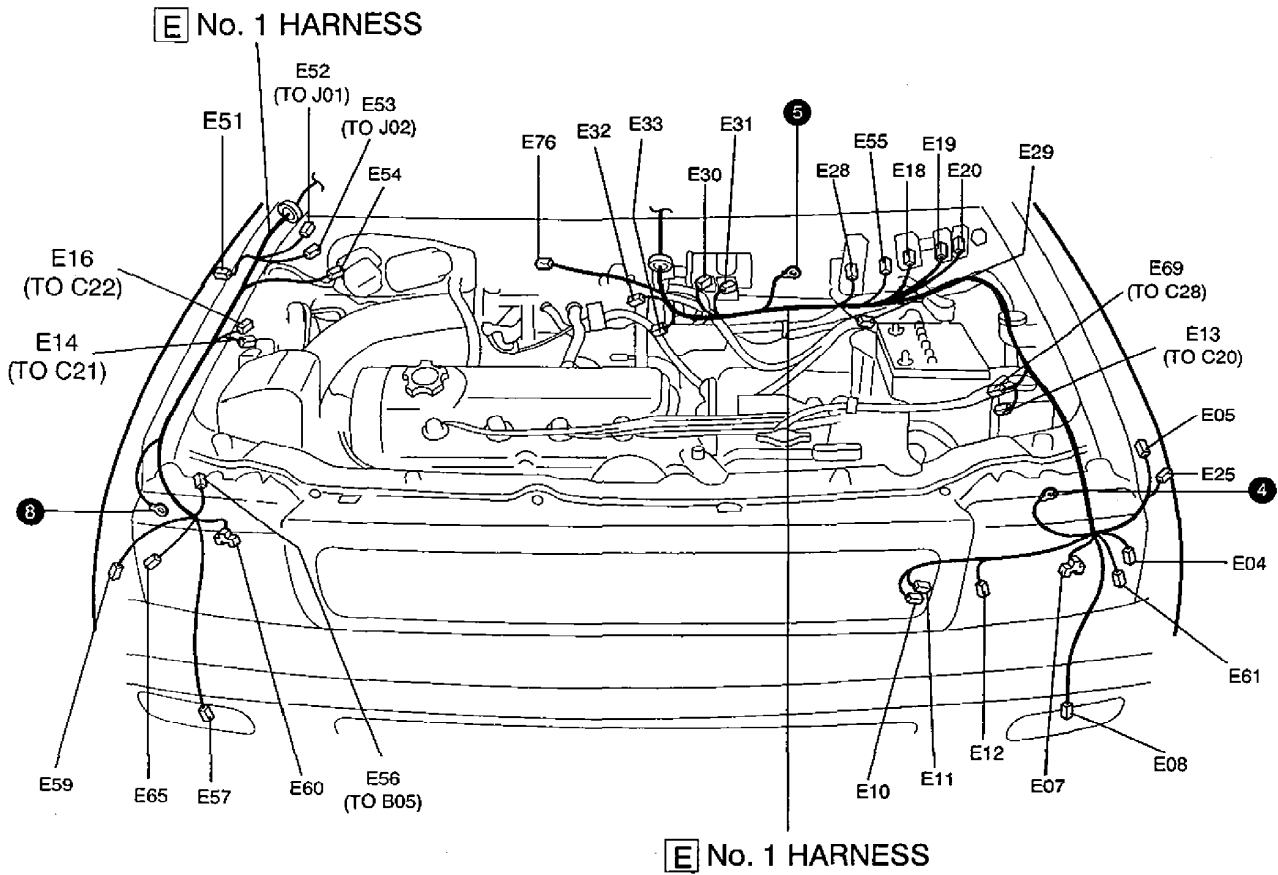
CONNECTOR	CONNECTIVE POSITION
No. 1 HARNESS	
E04	FRONT POSITION LIGHT (L)
E05	FRONT WASHER MOTOR
E07	HEAD LIGHT (L)
E08	FRONT TURN SIGNAL LIGHT (L)
E10	HORN #1
E11	HORN #2
E12	RADIATOR FAN MOTOR
E13	No.5 HARNESS (TO C20)
E14	No.5 HARNESS (TO C21)
E15	No.5 HARNESS (TO C27) (FOR A/T MODEL)
E16	No.5 HARNESS (TO C22) (FOR M/T MODEL)
E17	No.5 HARNESS (TO C26) (FOR A/T MODEL)
E18	RADIATOR FAN RELAY
E19	MAIN RELAY
E20	FUEL PUMP RELAY
E28	MAIN FUSE
E29	NOISE SUPPRESSOR
E30	IGNITION COIL
E31	IGNITER
E32	MAP SENSOR
E33	EVAP CANSITER PURGE VALVE
E51	SIDE TURN SIGNAL LIGHT (R)
E52	POWER WINDOW MAIN WIRE (TO J01)
E53	POWER WINDOW MAIN WIRE (TO J02)
E54	FRONT WIPER MOTOR
E55	BRAKE FLUID LEVEL SWITCH
E56	A/C HARNESS (TO B05)
E57	FRONT TURN SIGNAL LIGHT (R)
E59	FRONT POSITION LIGHT (R)
E60	HEAD LIGHT (R)
E61	HEAD LIGHT BEAM LEVELING ACTUATOR (L)
E66	HEAD LIGHT BEAM LEVELING ACTUATOR (R)
E76	EGR VALVE

**E**

# ENGINE ROOM (MPI LH)

**E: No. 1 HARNESS**

- Ⓐ FOR M/T MODEL
- Ⓑ FOR A/T MODEL

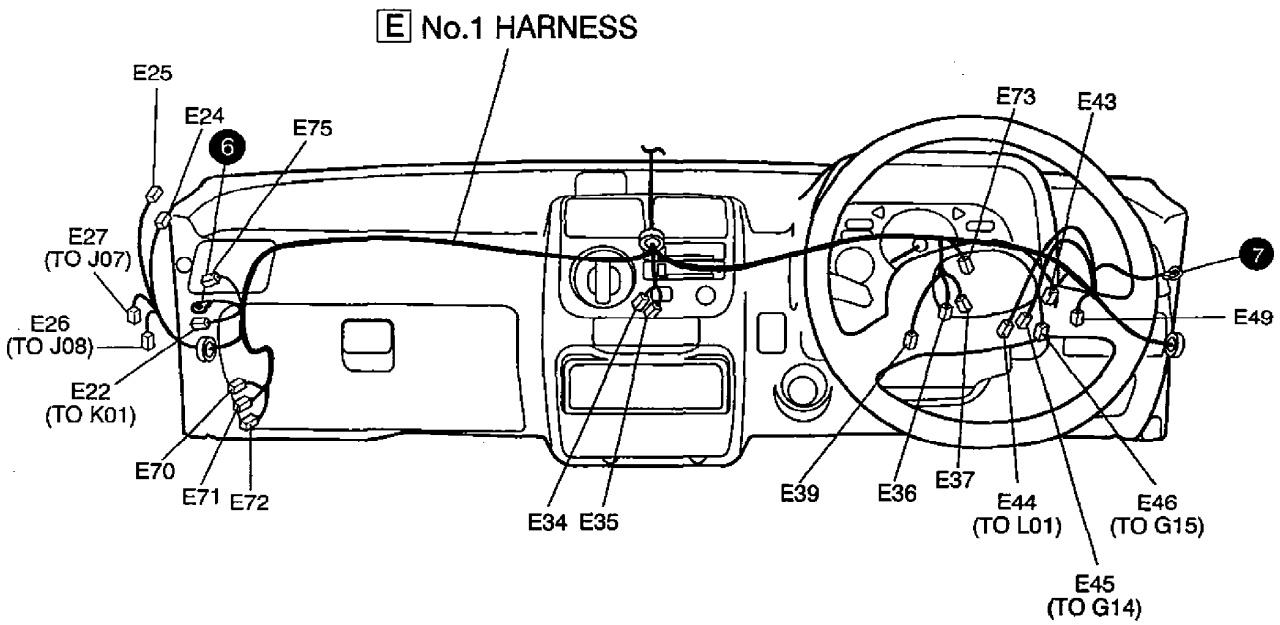


CONNECTOR	CONNECTIVE POSITION
No. 1 HARNESS	
E04	FRONT POSITION LIGHT (L)
E05	FRONT WASHER MOTOR
E07	HEAD LIGHT (L)
E08	FRONT TURN SIGNAL LIGHT (L)
E10	HORN #1
E11	HORN #2
E12	RADIATOR FAN MOTOR
E13	No.5 HARNESS (TO C20)
E14	No.5 HARNESS (TO C21) (FOR LH MODEL)
E16	No.5 HARNESS (TO C22) (FOR M/T MODEL)
E18	RADIATOR FAN RELAY
E19	MAIN RELAY
E20	FUEL PUMP RELAY
E25	REAR WASHER MOTOR
E28	MAIN FUSE
E29	NOISE SUPPRESSOR
E30	IGNITION COIL
E31	IGNITER
E32	MAP SENSOR
E33	EVAP CANISTER PURGE VALVE
E51	SIDE TURN SIGNAL LIGHT (R)
E52	POWER WINDOW MAIN WIRE (TO J01)
E53	POWER WINDOW MAIN WIRE (TO J02)
E54	FRONT WIPER MOTOR
E56	BRAKE FLUID LEVEL SWITCH
E56	A/C HARNESS (TO B05)
E57	FRONT TURN SIGNAL LIGHT (R)
E59	FRONT POSITION LIGHT (R)
E60	HEAD LIGHT (R)
E61	HEAD LIGHT BEAM LEVELING ACTUATOR (L)
E65	HEAD LIGHT BEAM LEVELING ACTUATOR (R)
E69	No.5 HARNESS (TO C28)
E76	EGR VALVE

**E**

# INSTRUMENT PANEL (RH CARB)

**E: No. 1 HARNESS**



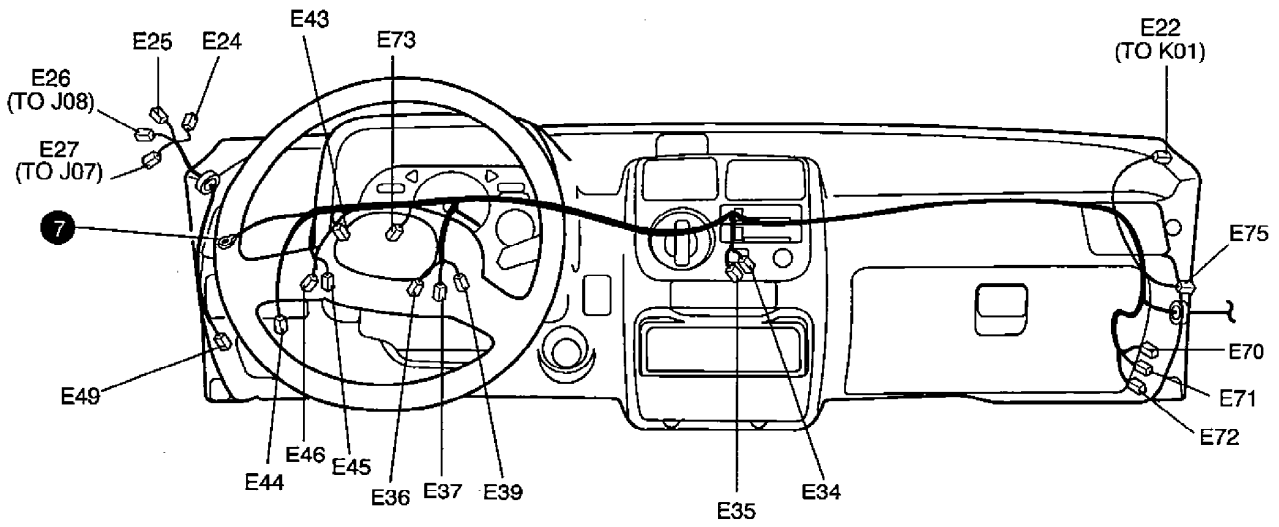
CONNECTOR	CONNECTIVE POSITION
No. 1 HARNESS	
E22	INTERIOR LIGHT WIRE (TO K01)
E24	SIDE TURN SIGNAL LIGHT (L)
E25	REAR WASHER MOTOR
E26	POWER WINDOW SUB WIRE (TO J08)
E27	POWER WINDOW SUB WIRE (TO J07)
E34	BLOWER FAN MOTOR
E35	BLOWER FAN MOTOR RESISTOR
E36	COMBINATION SWITCH
E37	MAIN SWITCH P/S
E39	STOP LIGHT SWITCH P/S
E43	DOOR LOCK CONTROLLER
E44	No.3 HARNESS (TO L01)
E46	No.2 HARNESS (TO G14)
E46	No.2 HARNESS (TO G15)
E49	TURN SIGNAL RELAY
E70	CARB CONTROLLER
E71	CARB CONTROLLER
E72	CARB CONTROLLER
E73	DIAGNOSIS CONNECTOR
E75	A/C HARNESS



**E**

# INSTRUMENT PANEL (LH CARB)

**E: No. 1 HARNESS**

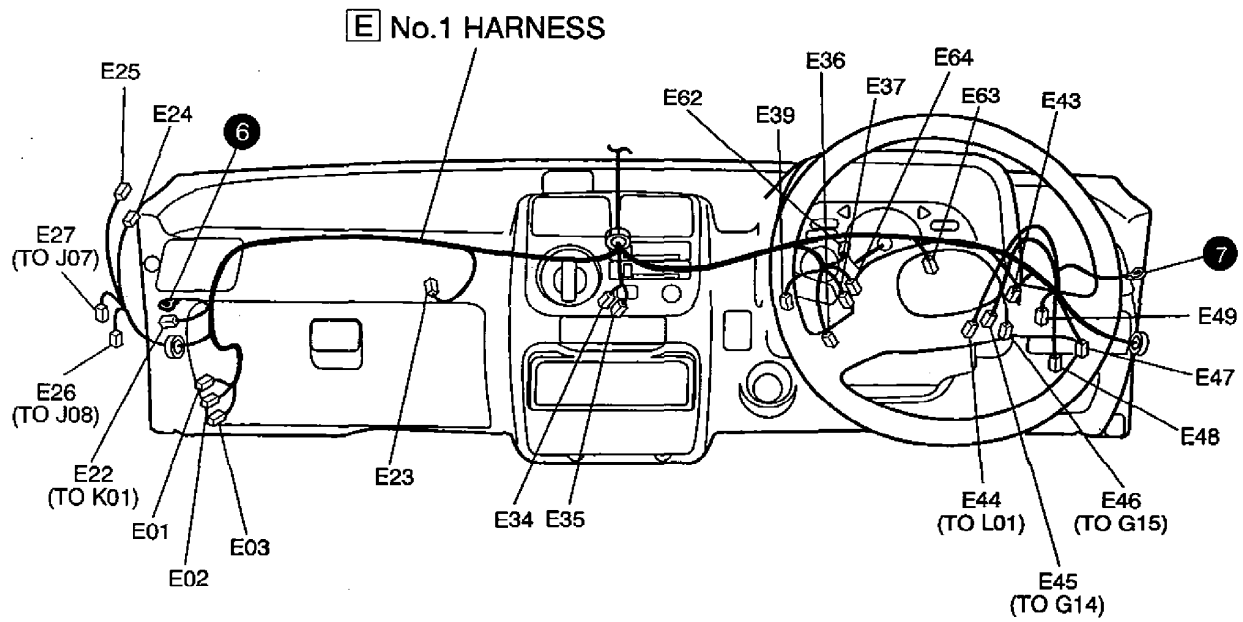


CONNECTOR	CONNECTIVE POSITION
No. 1 HARNESS	
E22	INTERIOR LIGHT WIRE (TO K01)
E24	SIDE TURN SIGNAL LIGHT (L)
E25	REAR WASHER MOTOR
E26	POWER WINDOW SUB WIRE (TO J08)
E27	POWER WINDOW SUB WIRE (TO J07)
E34	BLOWER FAN MOTOR
E35	BLOWER FAN MOTOR RESISTOR
E36	COMBINATION SWITCH
E37	MAIN SWITCH P/S
E39	STOP LIGHT SWITCH P/S
E43	DOOR LOCK CONTROLLER
E44	No.3 HARNESS (TO L01)
E45	No.2 HARNESS (TO G14)
E46	No.2 HARNESS (TO G15)
E49	TURN SIGNAL RELAY
E70	CARB CONTROLLER
E71	CARB CONTROLLER
E72	CARB CONTROLLER
E73	DIAGNOSIS CONNECTOR
E75	A/C HARNESS

**E**

# INSTRUMENT PANEL (RH MPI)

**E: No. 1 HARNESS**

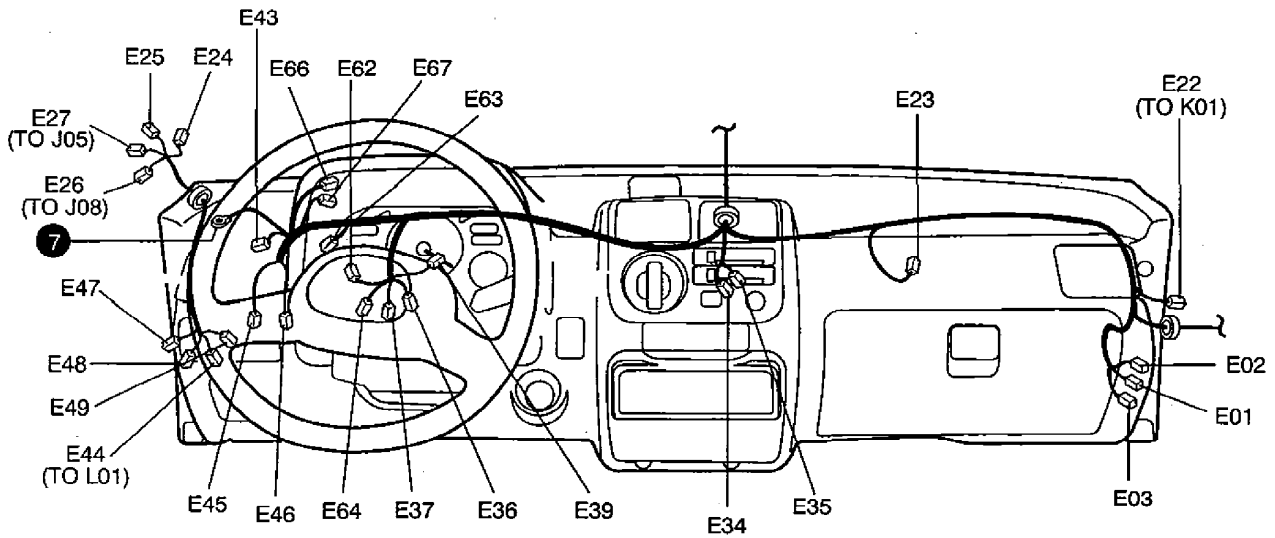


CONNECTOR	CONNECTIVE POSITION
No. 1 HARNESS	
E01	ECM
E02	ECM
E03	ECM
E22	INTERIOR LIGHT WIRE (TO K01)
E23	THERMISTOR
E24	SIDE TURN SIGNAL LIGHT (L)
E25	REAR WASHER MOTOR
E26	POWER WINDOW SUB WIRE (TO J08)
E27	POWER WINDOW SUB WIRE (TO J07)
E34	BLOWER FAN MOTOR
E35	BLOWER FAN MOTOR RESISTOR
E36	COMBINATION SWITCH
E37	MAIN SWITCH P/S
E39	STOP LIGHT SWITCH P/S
E43	DOOR LOCK CONTROLLER
E44	No.3 HARNESS (TO L01)
E45	No.2 HARNESS (TO G14)
E46	No.2 HARNESS (TO G15)
E47	DIODE
E48	DATA LINK CONNECTOR
E49	TURN SIGNAL RELAY
E62	IMMOBILIZER CONTROLLER
E63	IMMOBILIZER OUTPUT DIAGNOSIS COUPLER
E64	COIL ANTENNA

E

# INSTRUMENT PANEL (LH MPI)

E: No. 1 HARNESS

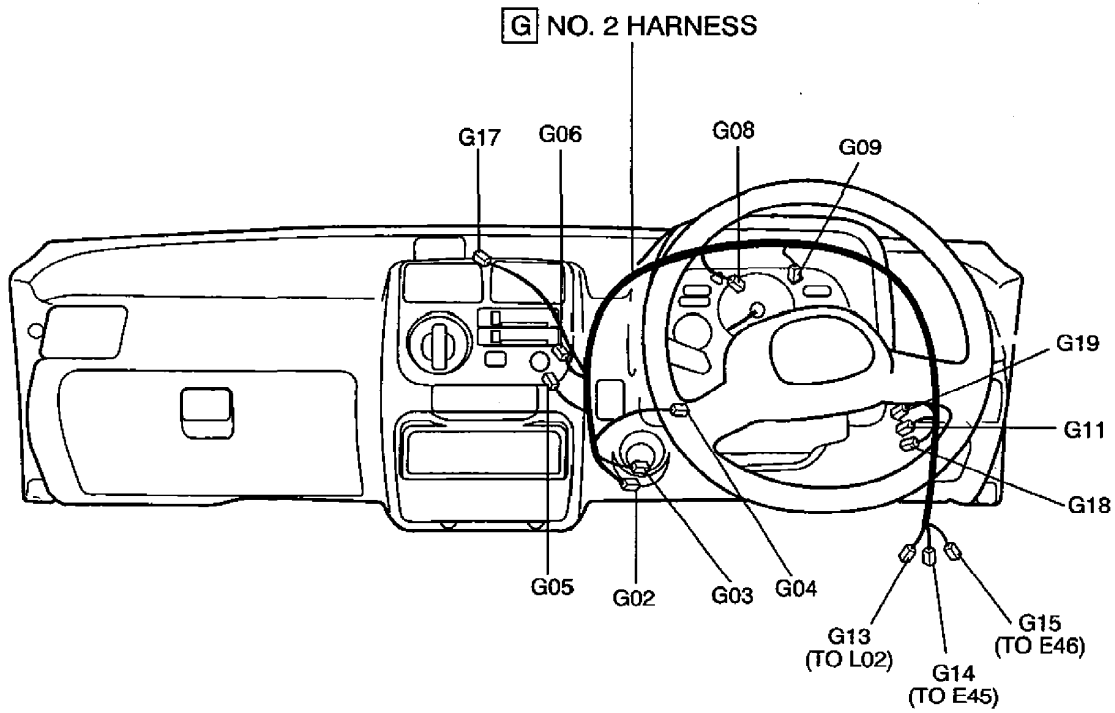


CONNECTOR	CONNECTIVE POSITION
No. 1 HARNESS	
E01	ECM
E02	ECM
E03	ECM
E22	INTERIOR LIGHT WIRE (TO K01)
E23	THERMISTOR
E24	SIDE TURN SIGNAL LIGHT (L)
E25	REAR WASHER MOTOR
E26	POWER WINDOW SUB WIRE (TO J08)
E27	POWER WINDOW SUB WIRE (TO J07)
E34	BLOWER FAN MOTOR
E35	BLOWER FAN MOTOR RESISTOR
E36	COMBINATION SWITCH
E37	MAIN SWITCH P/S
E39	STOP LIGHT SWITCH P/S
E43	DOOR LOCK CONTROLLER
E44	No.3 HARNESS (TO L01)
E45	No.2 HARNESS (TO G14)
E46	No.2 HARNESS (TO G15)
E47	DIODE
E48	DATA LINK CONNECTOR
E49	TURN SIGNAL RELAY
E62	IMMOBILIZER CONTROLLER
E63	IMMOBILIZER OUTPUT DIAGNOSIS COUPLER
E64	COIL ANTENNA
E66	DRL CONTROLLER
E67	DRL CONTROLLER

G

# INSTRUMENT PANEL (RH)

G: No. 2 HARNESS



CONNECTOR LAYOUT DIAGRAM 8A-3-29

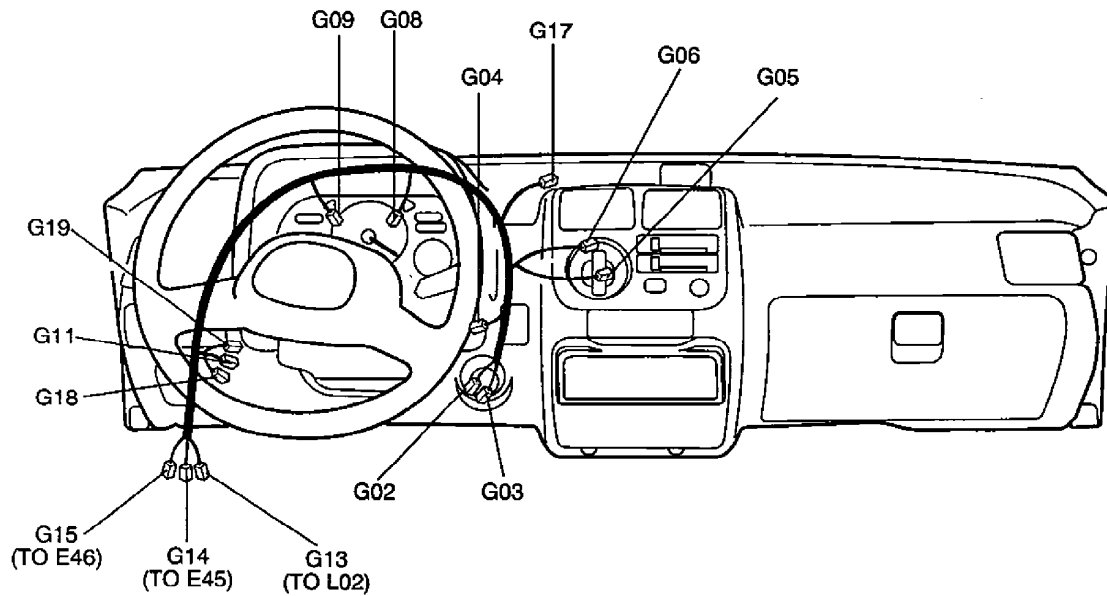
CONNECTOR	CONNECTIVE POSITION
No. 2 HARNESS	
G02	CIGAR LIGHTER
G03	CIGAR LIGHTER
G04	REAR WIPER & WASHER SWITCH
G05	A/C SWITCH
G06	BLOWER FAN MOTOR SWITCH
G08	COMBINATION METER
G09	COMBINATION METER
G11	REAR FOG LIGHT SWITCH
G13	No.3 HARNESS (TO L02)
G14	No.1 HARNESS (TO E45)
G15	No.1 HARNESS (TO E46)
G17	CLOCK
G18	REAR DEFOGGER SWITCH
G19	HEADLIGHT LEVELING SWITCH



G

# INSTRUMENT PANEL (LH)

G: No. 2 HARNESS

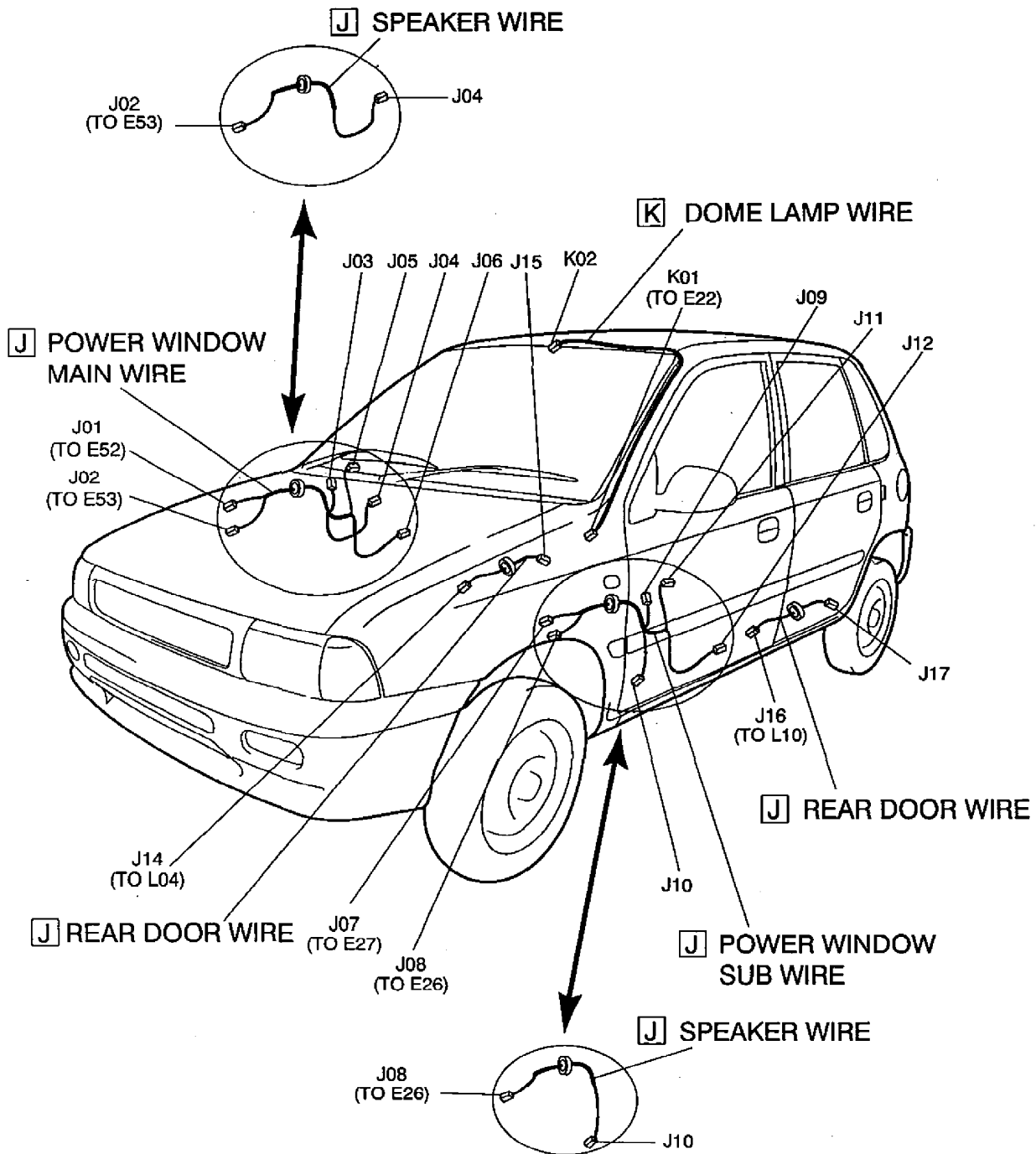


CONNECTOR	CONNECTIVE POSITION
No. 2 HARNESS	
G02	CIGAR LIGHTER
G03	CIGAR LIGHTER
G04	REAR WIPER & WASHER SWITCH
G05	A/C SWITCH
G06	BLOWER FAN MOTOR SWITCH
G08	COMBINATION METER
G09	COMBINATION METER
G11	REAR FOG LIGHT SWITCH
G13	No.3 HARNESS (TO L02)
G14	No.1 HARNESS (TO E45)
G15	No.1 HARNESS (TO E46)
G17	CLOCK
G18	REAR DEFOGGER SWITCH
G19	HEADLIGHT LEVELING SWITCH

8A-3-32 CONNECTOR LAYOUT DIAGRAM

**J** **K** **FLOOR (5D RH)**

- J: POWER WINDOW MAIN WIRE**
- POWER WINDOW SUB WIRE**
- REAR DOOR WIRE**
- SPEAKER WIRE**
- K: DOME LAMP WIRE**

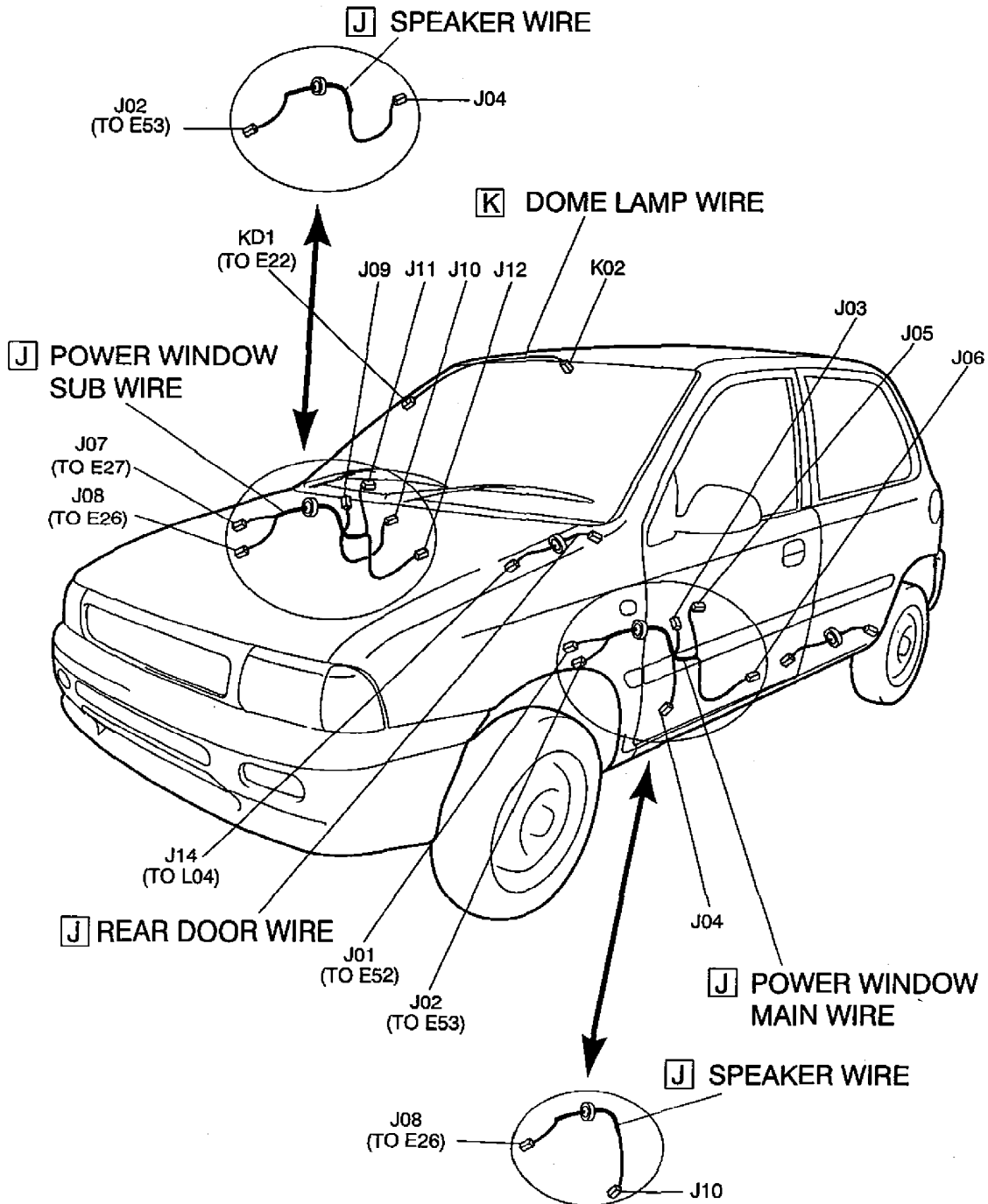


CONNECTOR	CONNECTIVE POSITION
SPEAKER WIRE	
J02	No.1 HARNESS (TO E53)
J04	SPEAKER (DRIVER SIDE)
J08	No.1 HARNESS (TO E26)
J10	SPEAKER (PASSENGER SIDE)
POWER WINDOW MAIN WIRE	
J01	No.1 HARNESS (TO E52)
J02	No.1 HARNESS (TO E53)
J03	FRONT POWER WINDOW MOTOR (R)
J04	SPEAKER (DRIVE SIDE)
J05	POWER WINDOW MAIN SWITCH
J06	KEY SWITCH
POWER WINDOW SUB WIRE	
J07	FLOOR HARNESS (TO E27)
J08	No.1 HARNESS (TO E26)
J09	FRONT POWER WINDOW MOTOR (L)
J10	SPEAKER (PASSENGER SIDE)
J11	POWER WINDOW SUB SWITCH
J12	FRONT DOOR LOCK MOTOR (L)
REAR DOOR WIRE	
J14	No.3 HARNESS (TO L04)
J15	REAR DOOR LOCK MOTOR (R)
J16	No.3 HARNESS (TO L10)
J17	REAR DOOR LOCK MOTOR (L)
DOME LAMP WIRE	
K01	No.1 HARNESS (TO E22)
K02	INTERIOR LIGHT

8A-3-34 CONNECTOR LAYOUT DIAGRAM

**J** **K** **FLOOR (5D LH)**

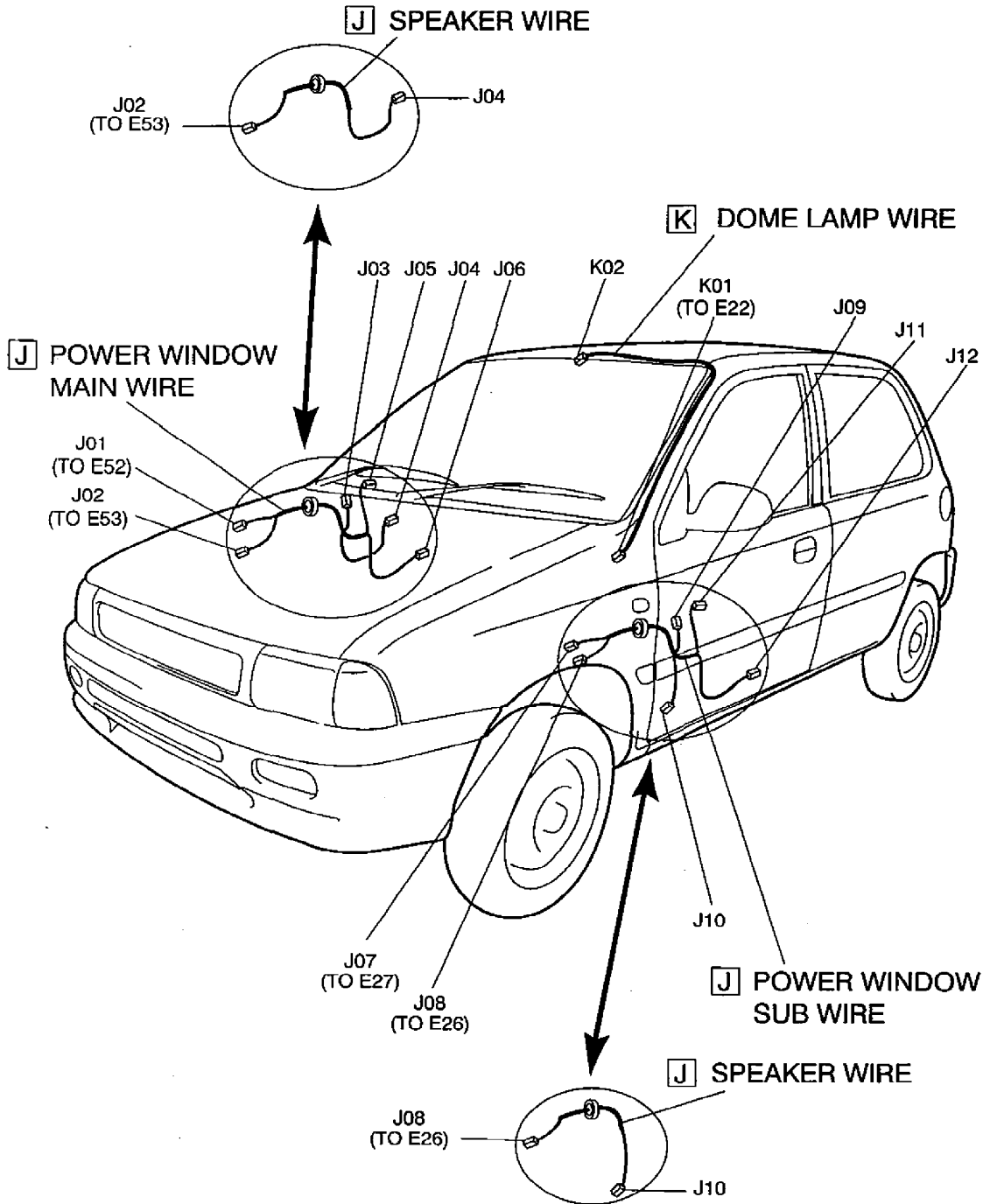
- J: POWER WINDOW MAIN WIRE**
- POWER WINDOW SUB WIRE**
- REAR DOOR WIRE**
- SPEAKER WIRE**
- K: DOME LAMP WIRE**



CONNECTOR	CONNECTIVE POSITION
SPEAKER WIRE	
J02	No.1 HARNESS (TO E53)
J04	SPEAKER (DRIVER SIDE)
J08	No.1 HARNESS (TO E26)
J10	SPEAKER (PASSENGER SIDE)
POWER WINDOW MAIN WIRE	
J01	No.1 HARNESS (TO E52)
J02	No.1 HARNESS (TO E53)
J03	FRONT POWER WINDOW MOTOR (R)
J04	SPEAKER (DRIVE SIDE)
J05	POWER WINDOW MAIN SWITCH
J06	KEY SWITCH
POWER WINDOW SUB WIRE	
J07	FLOOR HARNESS (TO E27)
J08	No.1 HARNESS (TO E26)
J09	FRONT POWER WINDOW MOTOR (L)
J10	SPEAKER (PASSENGER SIDE)
J11	POWER WINDOW SUB SWITCH
J12	FRONT DOOR LOCK MOTOR (L)
REAR DOOR WIRE	
J14	No.3 HARNESS (TO L04)
J15	REAR DOOR LOCK MOTOR (R)
J16	No.3 HARNESS (TO L10)
J17	REAR DOOR LOCK MOTOR (L)
DOME LAMP WIRE	
K01	No.1 HARNESS (TO E22)
K02	INTERIOR LIGHT

**J** **K** **FLOOR (3D RH)**

- J:** POWER WINDOW MAIN WIRE
- POWER WINDOW SUB WIRE
- REAR DOOR WIRE
- SPEAKER WIRE
- K:** DOME LAMP WIRE

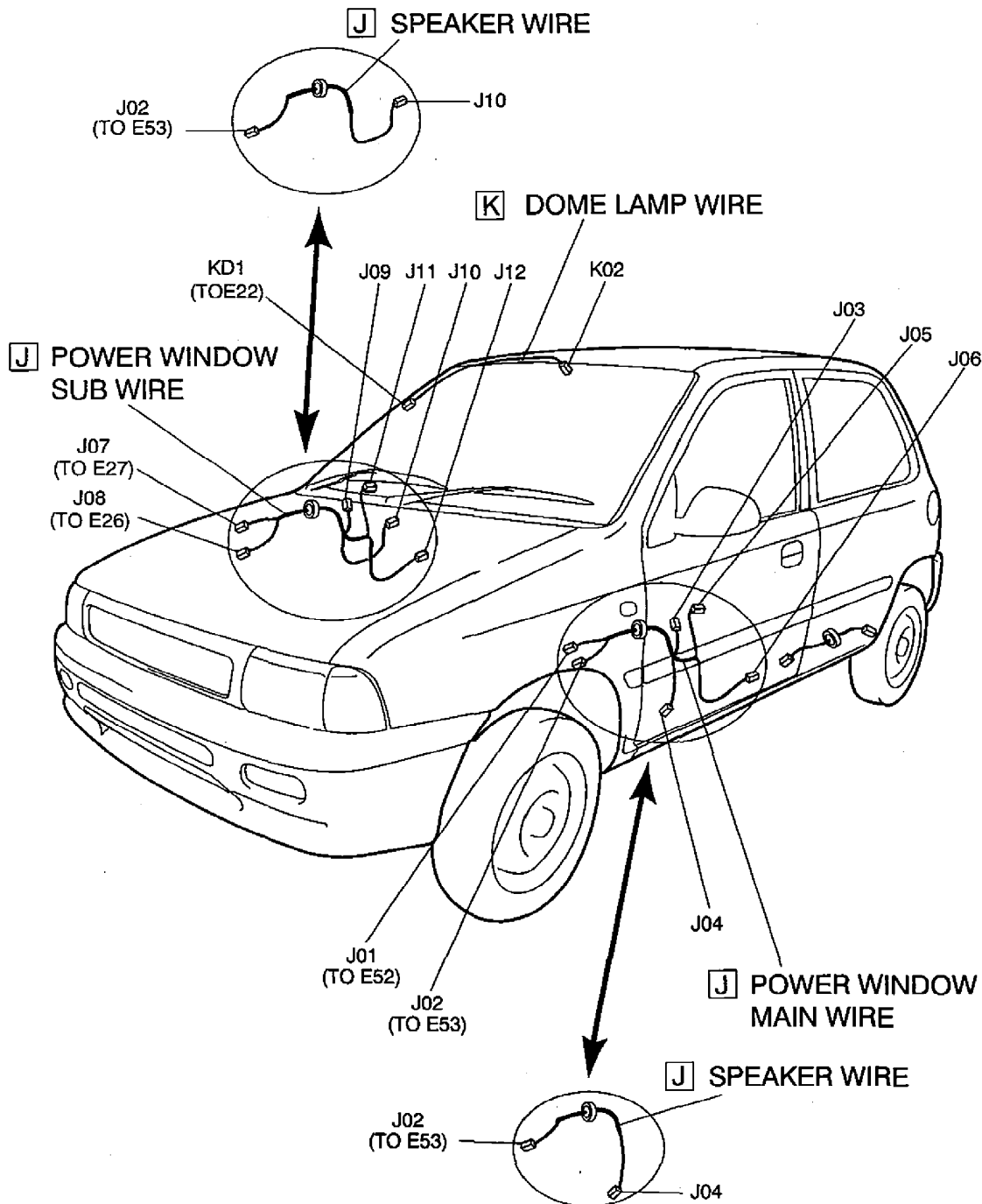


CONNECTOR	CONNECTIVE POSITION
SPEAKER WIRE	
J02	No.1 HARNESS (TO E53)
J04	SPEAKER (DRIVER SIDE)
J08	No.1 HARNESS (TO E26)
J10	SPEAKER (PASSENGER SIDE)
POWER WINDOW MAIN WIRE	
J01	No.1 HARNESS (TO E52)
J02	No.1 HARNESS (TO E53)
J03	FRONT POWER WINDOW MOTOR (R)
J04	SPEAKER (DRIVE SIDE)
J05	POWER WINDOW MAIN SWITCH
J06	KEY SWITCH
POWER WINDOW SUB WIRE	
J07	FLOOR HARNESS (TO E27)
J08	No.1 HARNESS (TO E26)
J09	FRONT POWER WINDOW MOTOR (L)
J10	SPEAKER (PASSENGER SIDE)
J11	POWER WINDOW SUB SWITCH
J12	FRONT DOOR LOCK MOTOR (L)
REAR DOOR WIRE	
J14	No.3 HARNESS (TO L04)
J15	REAR DOOR LOCK MOTOR (R)
J16	No.3 HARNESS (TO L10)
J17	REAR DOOR LOCK MOTOR (L)
DOME LAMP WIRE	
K01	No.1 HARNESS (TO E22)
K02	INTERIOR LIGHT



**J** **K** **FLOOR (3D LH)**

- J:** POWER WINDOW MAIN WIRE
- POWER WINDOW SUB WIRE
- REAR DOOR WIRE
- SPEAKER WIRE
- K:** DOME LAMP WIRE

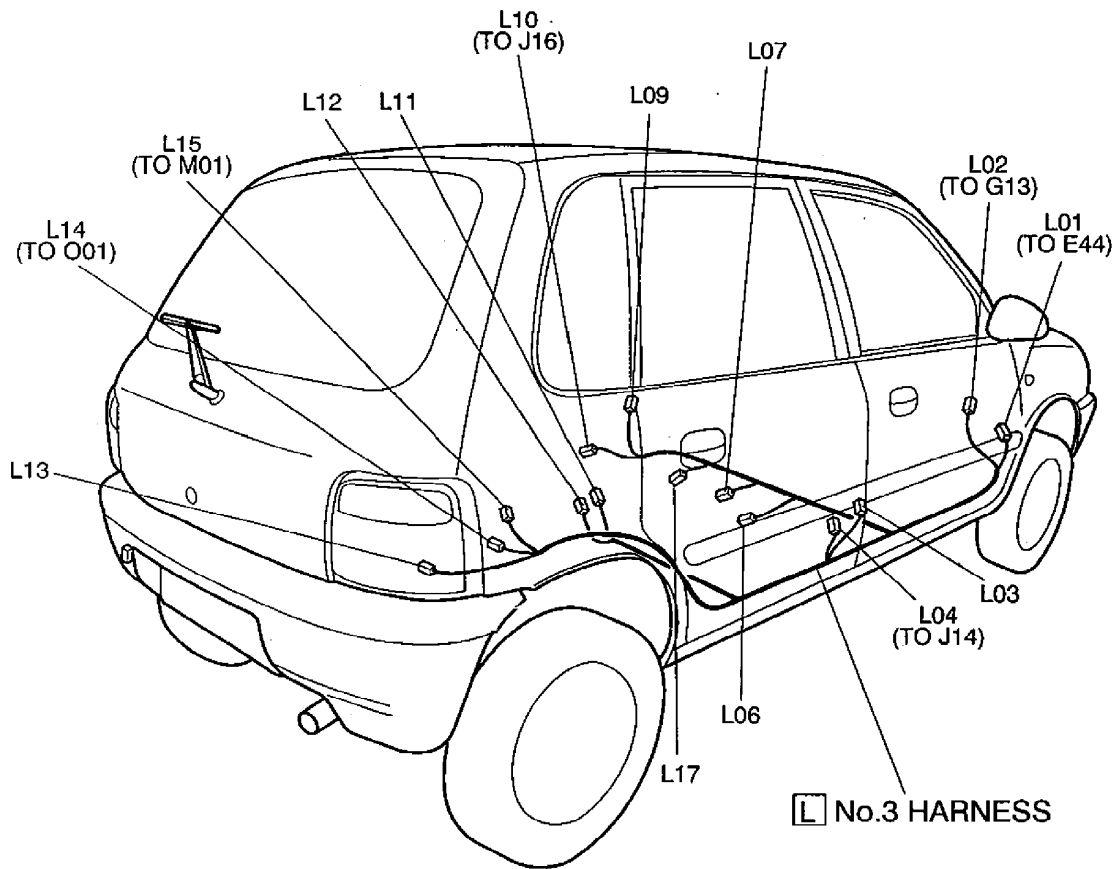


CONNECTOR	CONNECTIVE POSITION
SPEAKER WIRE	
J02	No.1 HARNESS (TO E53)
J04	SPEAKER (DRIVER SIDE)
J08	No.1 HARNESS (TO E26)
J10	SPEAKER (PASSENGER SIDE)
POWER WINDOW MAIN WIRE	
J01	No.1 HARNESS (TO E52)
J02	No.1 HARNESS (TO E53)
J03	FRONT POWER WINDOW MOTOR (R)
J04	SPEAKER (DRIVE SIDE)
J05	POWER WINDOW MAIN SWITCH
J06	KEY SWITCH
POWER WINDOW SUB WIRE	
J07	FLOOR HARNESS (TO E27)
J08	No.1 HARNESS (TO E26)
J09	FRONT POWER WINDOW MOTOR (L)
J10	SPEAKER (PASSENGER SIDE)
J11	POWER WINDOW SUB SWITCH
J12	FRONT DOOR LOCK MOTOR (L)
REAR DOOR WIRE	
J14	No.3 HARNESS (TO L04)
J15	REAR DOOR LOCK MOTOR (R)
J16	No.3 HARNESS (TO L10)
J17	REAR DOOR LOCK MOTOR (L)
DOME LAMP WIRE	
K01	No.1 HARNESS (TO E22)
K02	INTERIOR LIGHT

**L**

# FLOOR (RH)

**L: No.3 HARNESS**

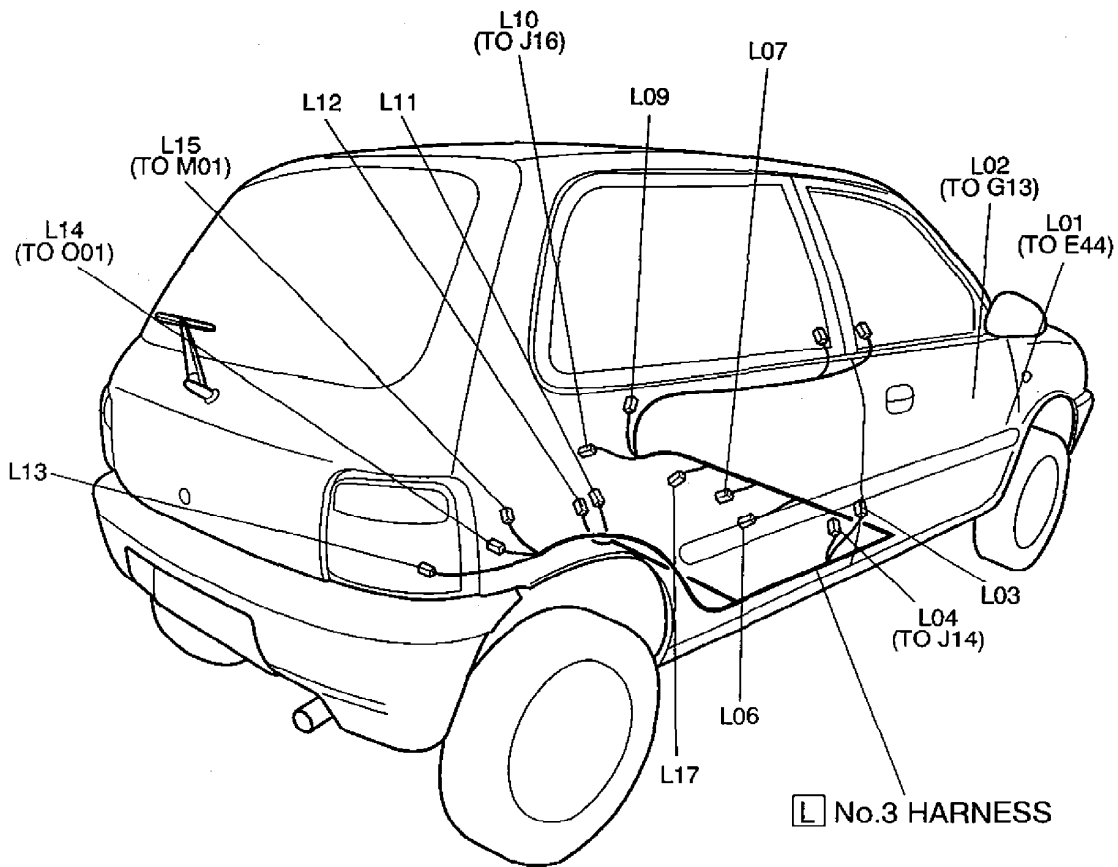


CONNECTOR	CONNECTIVE POSITION
No.3 HARNESS	
L01	No.1 HARNESS (TO E44)
L02	No.2 HARNESS (TO G13)
L03	DOOR SWITCH (R)
L04	REAR DOOR WIRE (TO J14)
L06	SHIFT ILLUMINATION LIGHT
L07	PARKING SWITCH
L09	DOOR SWITCH (L)
L10	POWER WINDOW SUB WIRE (TO J16)
L11	FUEL PUMP
L12	FUEL GAUGE
L13	REAR COMBINATION LIGHT (R)
L14	HATCH DOOR HARNESS (TO O01)
L15	No.4 HARNESS (TO M01)
L17	HEATED OXYGEN SENSOR #2

**L**

# FLOOR (LH)

**L: No.3 HARNESS**



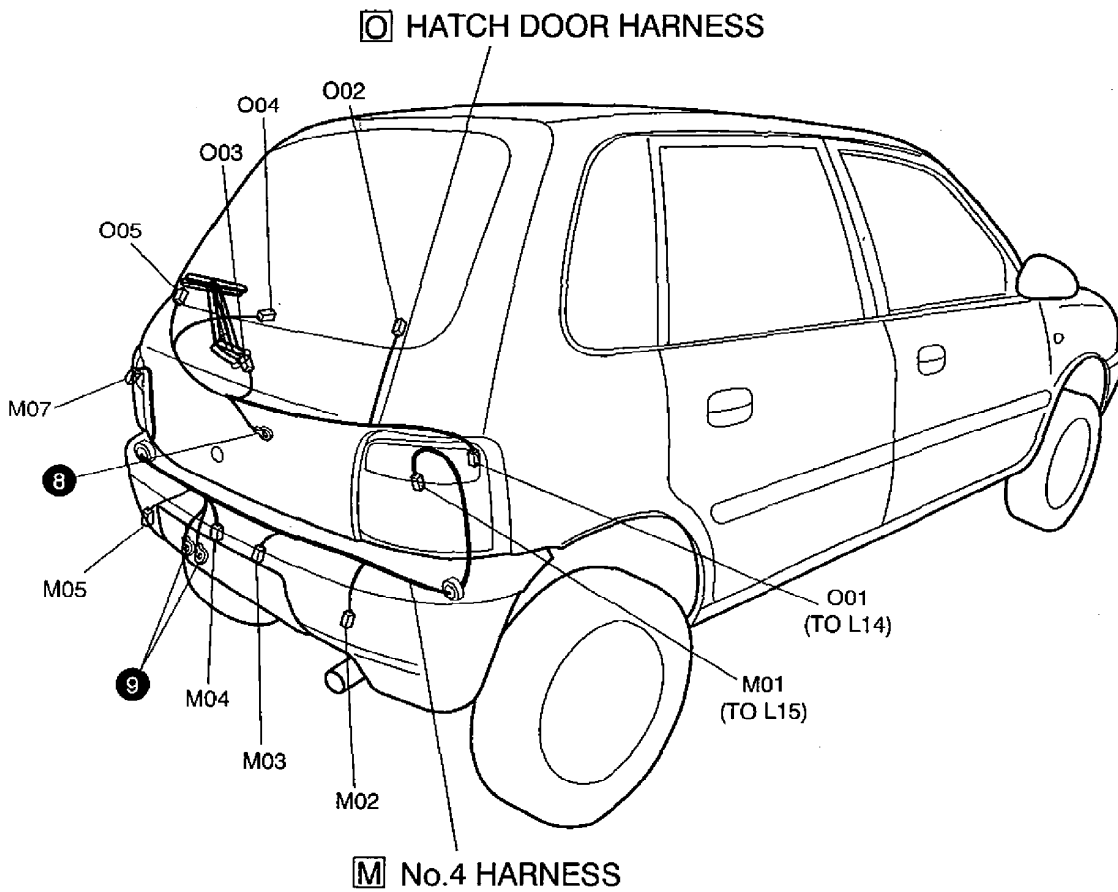
CONNECTOR	CONNECTIVE POSITION
No.3 HARNESS	
L01	No.1 HARNESS (TO E44)
L02	No.2 HARNESS (TO G13)
L03	DOOR SWITCH (R)
L04	REAR DOOR WIRE (TO J14)
L06	SHIFT ILLUMINATION LIGHT
L07	PARKING SWITCH
L09	DOOR SWITCH (L)
L10	POWER WINDOW SUB WIRE (TO J16)
L11	FUEL PUMP
L12	FUEL GAUGE
L13	REAR COMBINATION LIGHT (R)
L14	HATCH DOOR HARNESS (TO O01)
L15	No.4 HARNESS (TO M01)
L17	HEATED OXYGEN SENSOR #2

8A-3-44 CONNECTOR LAYOUT DIAGRAM

**M** **O** **REAR**

**M: No. 4 HARNESS**

**O: HATCH DOOR HARNESS**



CONNECTOR	CONNECTIVE POSITION
HATCH DOOR HARNESS	
O01	No.3 HARNESS (TO L14)
O02	REAR DEFOGGER (+)
O03	REAR WIPER MOTOR
O04	HIGH MOUNTED STOP LIGHT
O05	REAR DEFOGGER (-)
No.4 HARNESS	
M01	No.3 HARNESS (TO L15)
M02	REAR FOG LIGHT (R)
M03	LICENSE PLATE LIGHT (R)
M04	LICENSE PLATE LIGHT (L)
M05	REAR FOG LIGHT (L)
M07	REAR COMBINATION LIGHT (L)





**SECTION 8A-4**

**INSTALLATION POSITION OF SINGLE UNIT  
PARTS**

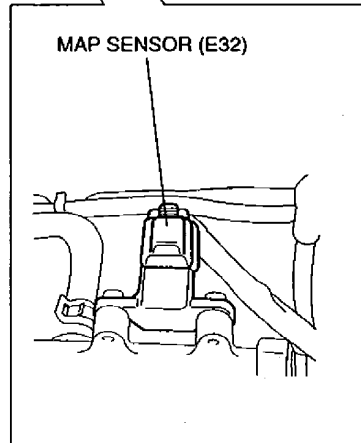
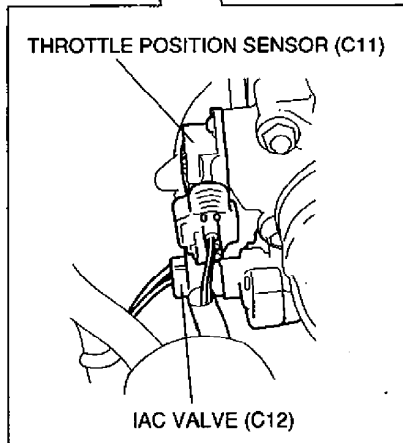
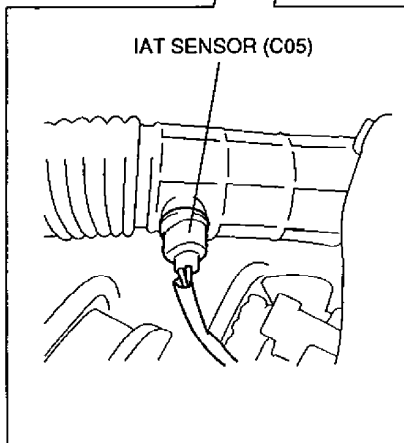
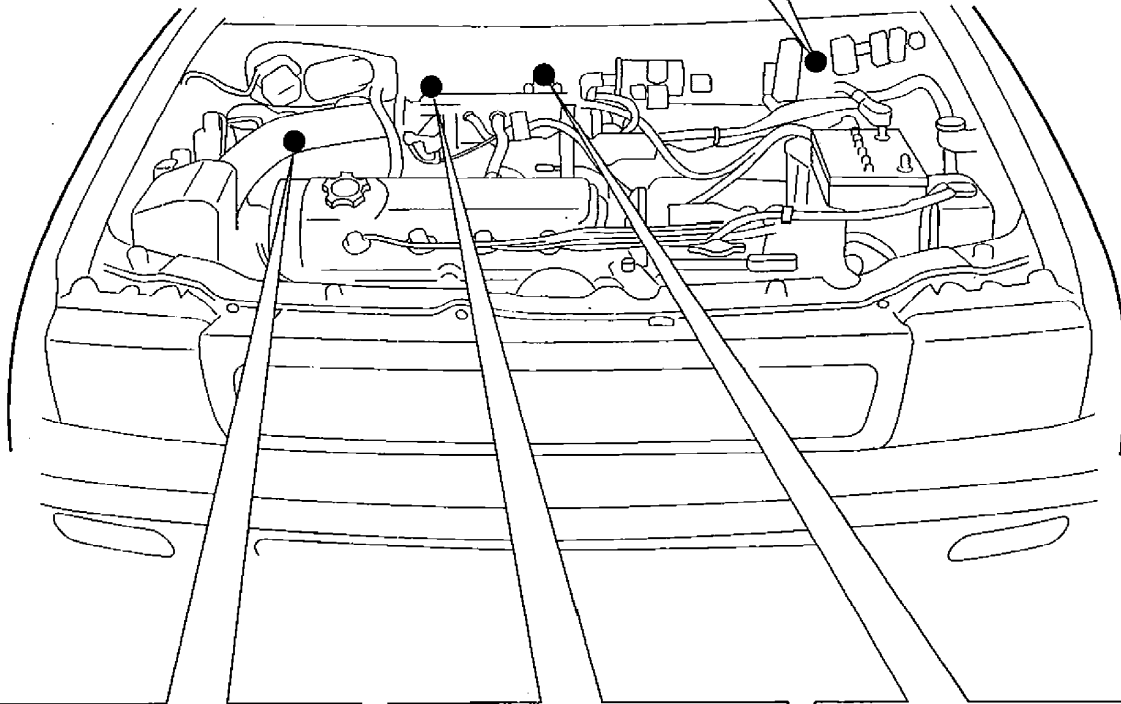
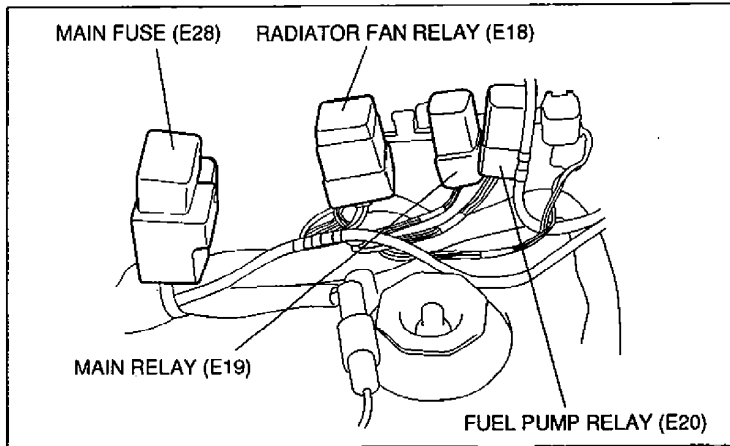
**CONTENTS**

ENGINE ROOM .....	8A-4-2
INSTRUMENT PANEL .....	8A-4-4

**8A-4**

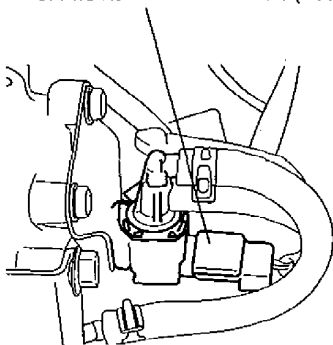
8A-4-2 INSTALLATION POSITIONS OF SINGLE UNIT PARTS

# ENGINE ROOM (MPI)

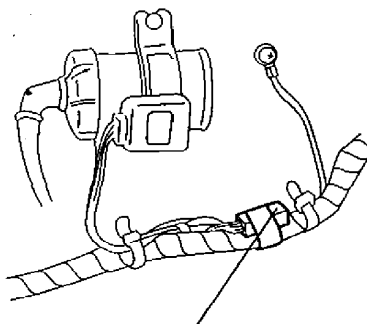


# ENGINE ROOM (MPI)

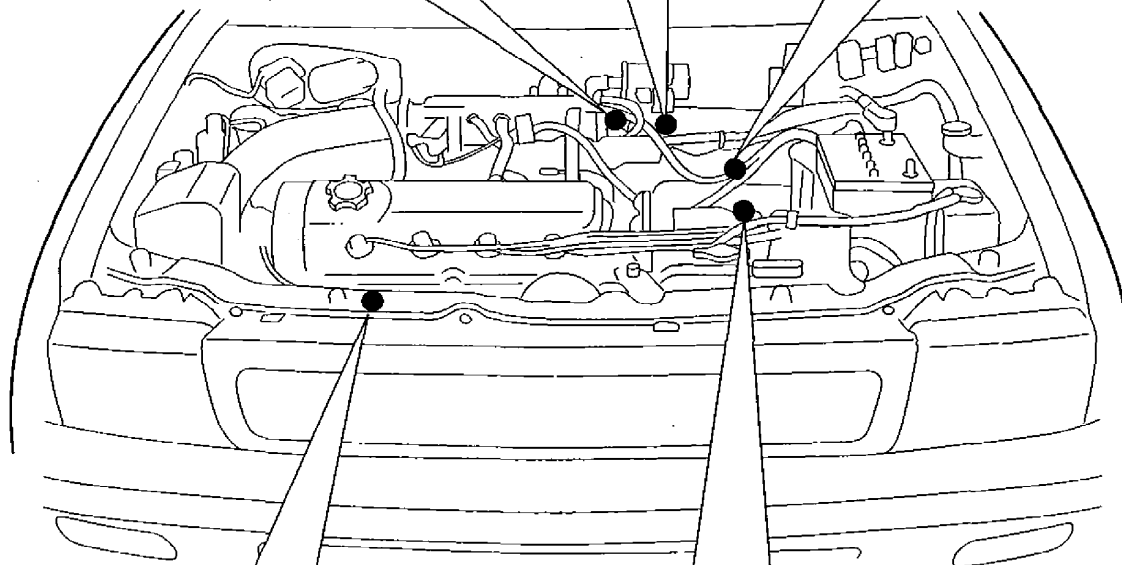
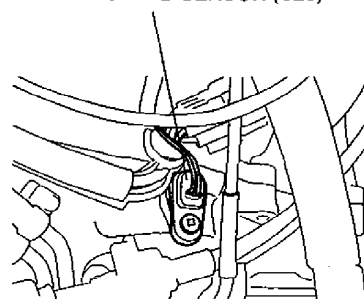
EVAP CANISTER PURGE VALVE (E33)



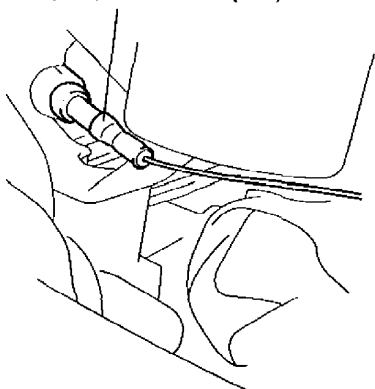
NOISE SUPPRESSOR (E29)



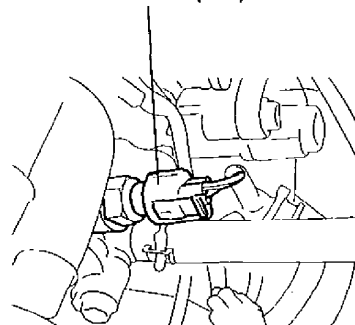
<AT> SPEED SENSOR (C23)



OXYGEN SENSOR (C07)

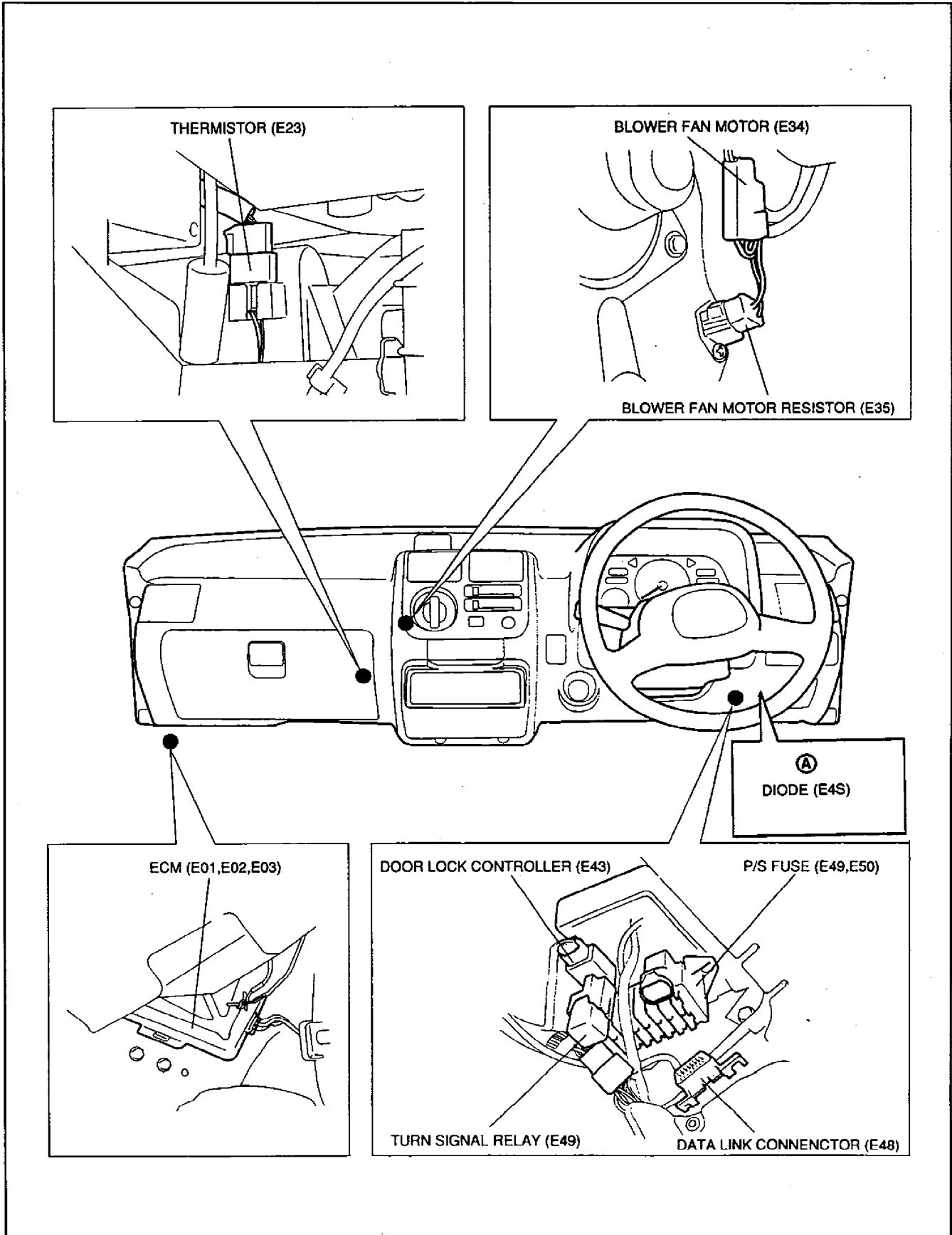


ECT SENSOR (C15)



8A-4-4 INSTALLATION POSITION OF SINGLE UNIT

# INSTRUMENT PANEL (MPI)



## SECTION 8A-5

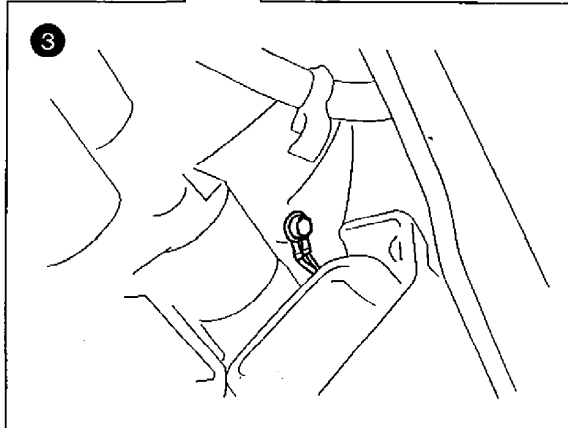
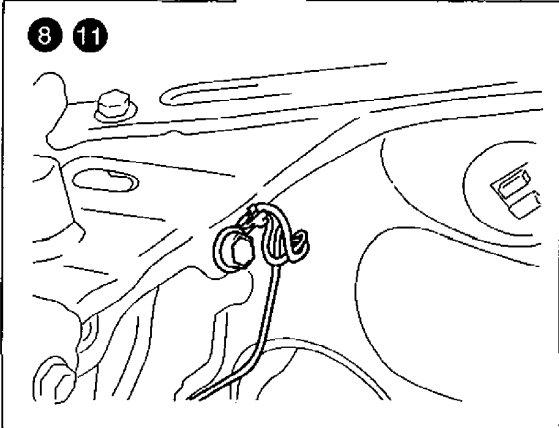
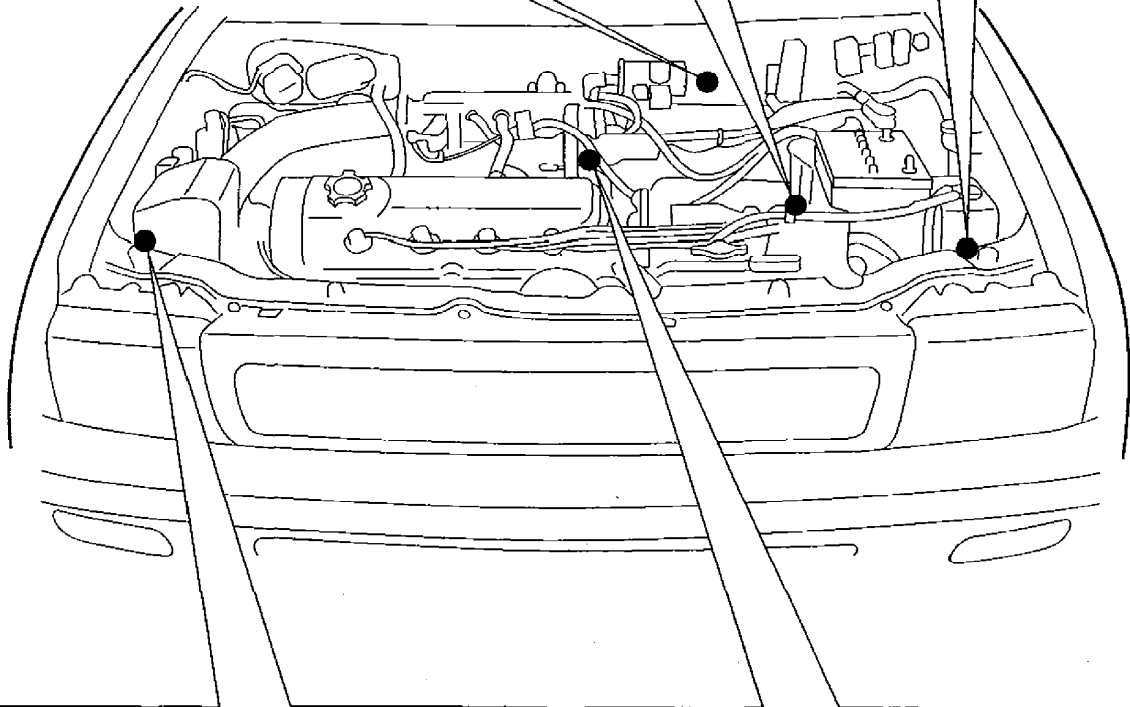
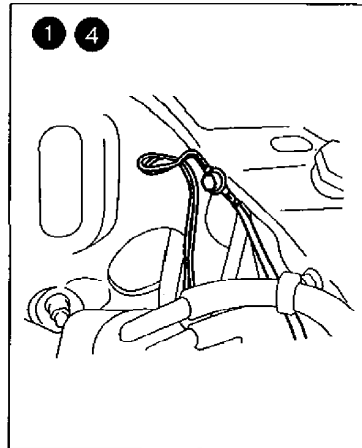
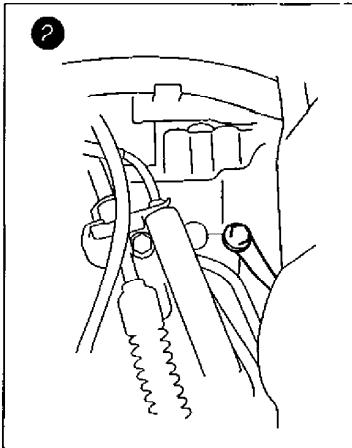
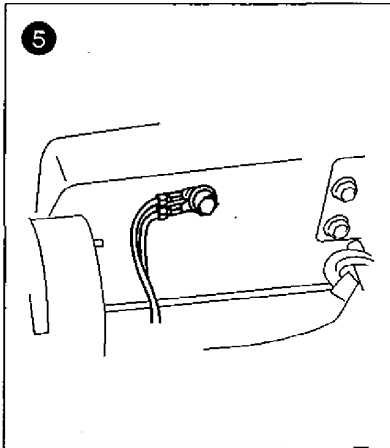
# GROUND POINT

### CONTENTS

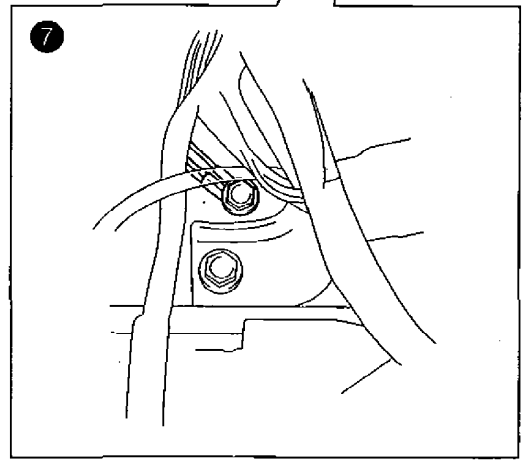
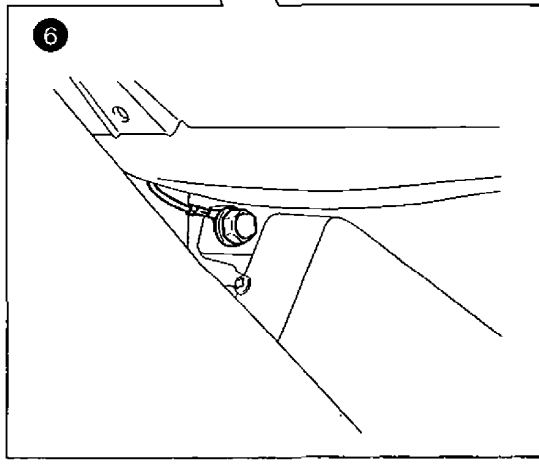
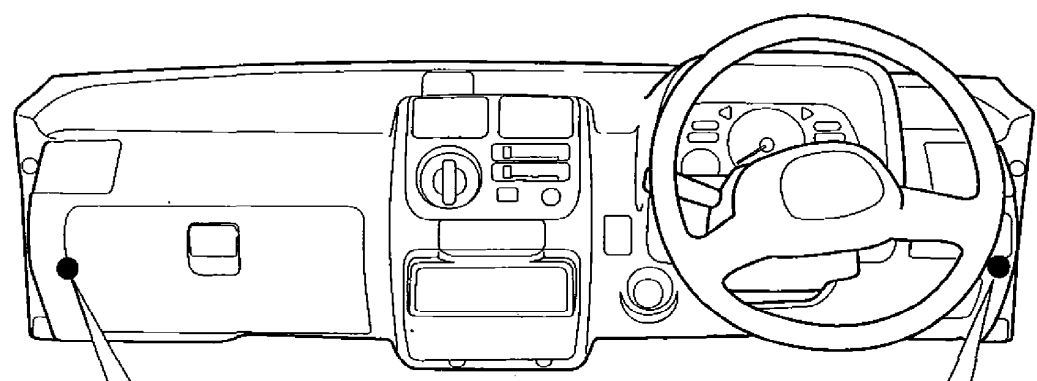
ENGINE ROOM .....	8A-5-2
INSTRUMENT PANEL .....	8A-5-3
FLOOR .....	8A-5-4

8A-5-2 GROUND POINT

# ENGINE ROOM



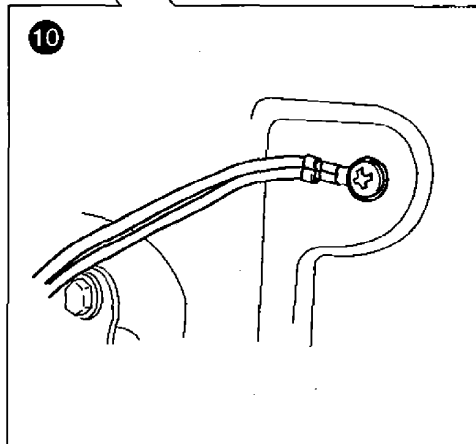
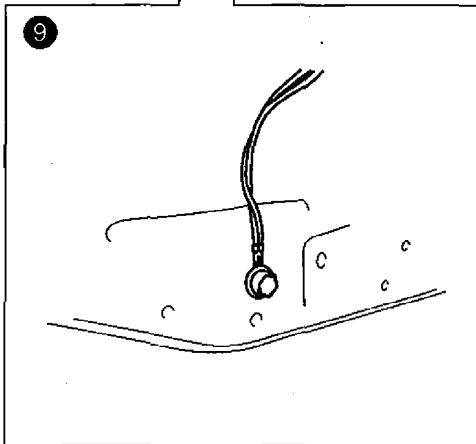
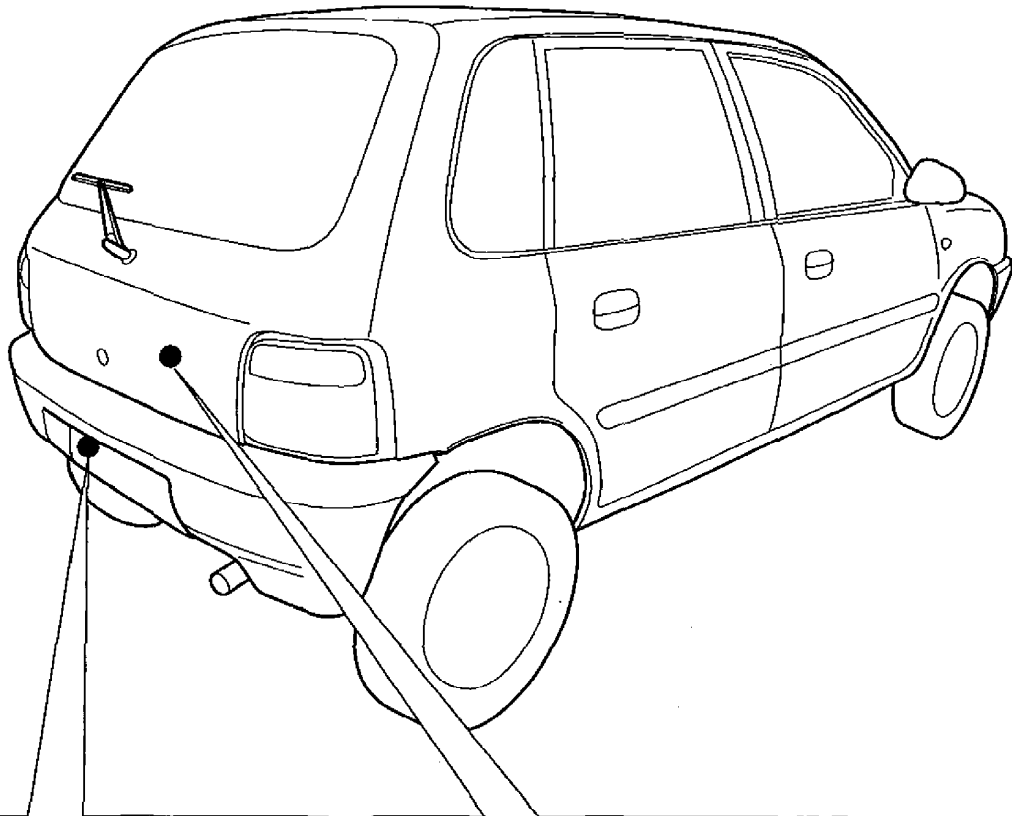
# INSTRUMENT PANEL





8A-5-4 GROUND POINT

**FLOOR**



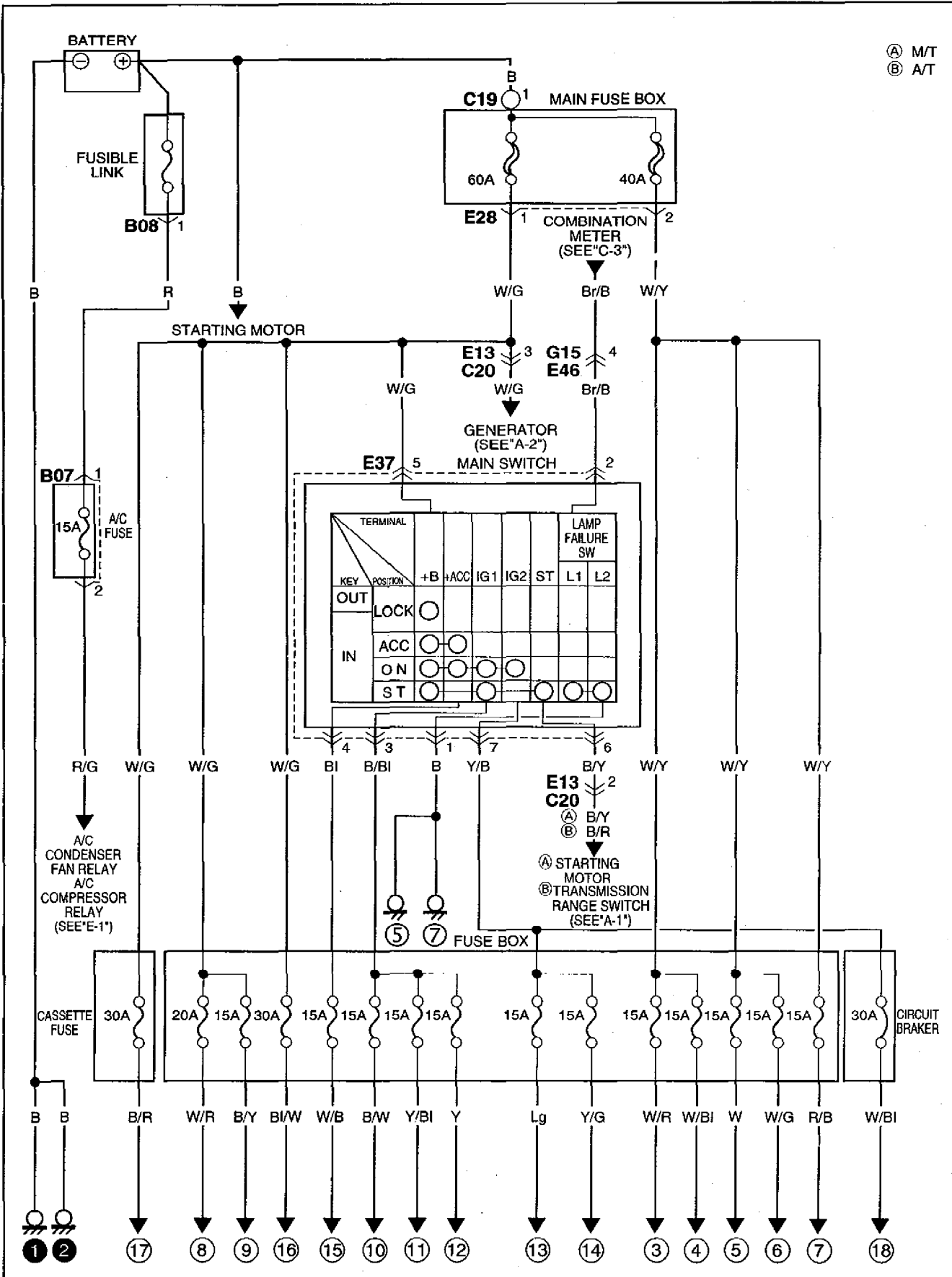
## SECTION 8A-6

# POWER SUPPLY DIAGRAM

## CONTENTS

POWER SUPPLY DIAGRAM .....	8A-6-2
FUSES .....	8A-6-3

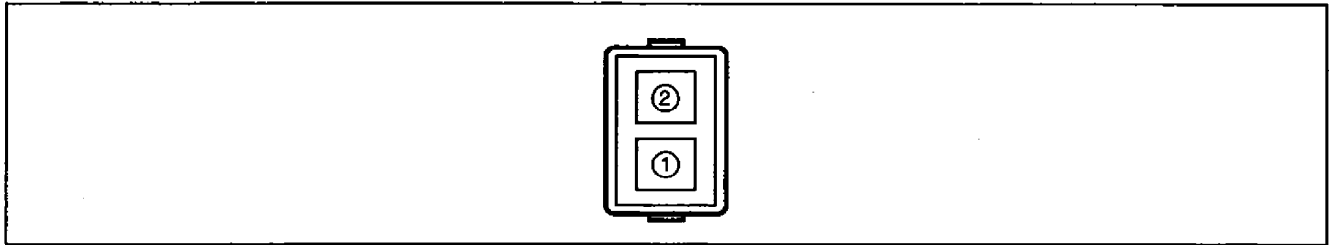
# POWER SUPPLY DIAGRAM (MPI)



# FUSES

The chart below shows the circuits protected by each fuse.

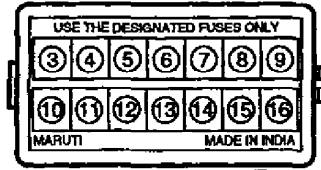
## FUSES IN MAIN FUSE BOX



No.	AMPERAGE	PROTECTED CIRCUIT
①	60A	BATTERY, 40A MAIN FUSE
②	40A	CIRCUIT FUSE

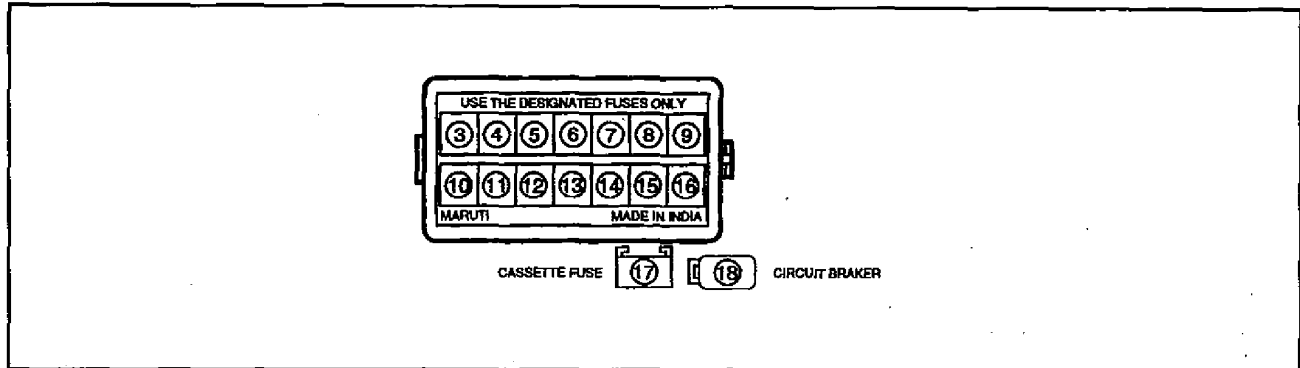
8A-6-4 POWER SUPPLY DIAGRAM

FUSES/CIRCUIT BRAKER IN CIRCUIT FUSE BOX (CARB)



NO.	AMPERAGE	DESCRIPTION ON THE COVER	PROTECTED CIRCUIT
③	15A	HEAD R-L	HEAD LIGHT
④	15A	HEAD R-L	COMBINATION METER HEAD LIGHT
⑤	15A	STOP. DOME	DATA LINK CONNECTOR INTERIOR LIGHT BRAKE LIGHT SWITCH REAR FOG LIGHT SWITCH
⑥	15A	HAZARD. HORN	ECM HORN COMBINATION SWITCH
⑦	15A	TAIL	COMBINATION SWITCH
⑧	20A	DOOR LOCK	DOOR LOCK CONTROLLER
⑨	BLANK		
⑩	15A	IG. COIL. METER	RADIATOR FAN SWITCH NOISE SUPPRESSOR ECM GENERATOR COMBINATION METER IGNITION COIL
⑪	15A	WIPER. WASHER	COMBINATION SWITCH FRONT WIPER MOTOR REAR WIPER & WASHER SWITCH REAR WIPER MOTOR
			TRANSMISSION RANGE SWITCH
⑫	15A	TURN BACK	COMBINATION SWITCH BACK-UP LIGHT SWITCH
⑬	15A	HEATER	BLOWER FAN MOTOR CIRCUIT BREAKER
⑭	15A	REAR DEFOGGER	REAR DEFOGGER SWITCH
⑮	15A	CIGAR. RADIO	CIGAR
⑯	30A	R-DTR. FAN	RADIATOR FAN RELAY
⑰	BLANK		
⑱	30A		POWER WINDOW

**FUSES/CIRCUIT BRAKER IN CIRCUIT FUSE BOX (MPI)**



NO.	AMPERAGE	DESCRIPTION ON THE COVER	PROTECTED CIRCUIT
③	15A	HEAD R-L	HEAD LIGHT
④	15A	HEAD R-L	COMBINATION METER HEAD LIGHT
⑤	15A	STOP DOME	DATA LINK CONNECTOR INTERIOR LIGHT BRAKE LIGHT SWITCH REAR FOG LIGHT SWITCH
⑥	15A	HAZARD. HORN	ECM HORN COMBINATION SWITCH
⑦	15A	TAIL	COMBINATION SWITCH
⑧	20A	DOOR LOCK	DOOR LOCK CONTROLLER
⑨	15A	FI	MAIN RELAY
⑩	15A	IG. COIL. METER	IGNITER, HEATED OXYGEN SENSOR NO. 2 NOISE SUPPRESSOR ECM GENERATOR COMBINATION METER IGNITION COIL FUEL PUMP RELAY IMMOBILIZER CONTROLLER
⑪	15A	WIPER. WASHER	COMBINATION SWITCH FRONT WIPER MOTOR REAR WIPER & WASHER SWITCH REAR WIPER MOTOR TRANSMISSION RANGE SWITCH
⑫	15A	TURN BACK	COMBINATION SWITCH BACK-UP LIGHT SWITCH
⑬	15A	HEATER	BLOWER FAN MOTOR CIRCUIT BREAKER
⑭	15A	REAR DEFOGGER	REAR DEFOGGER SWITCH
⑮	15A	CIGAR. RADIO	CIGAR
⑯	30A	R-DTR. FAN	RADIATOR FAN RELAY
⑰	BLANK		
⑱	30A		POWER WINDOW



SECTION 8A-7

SYSTEM CIRCUIT DIAGRAM

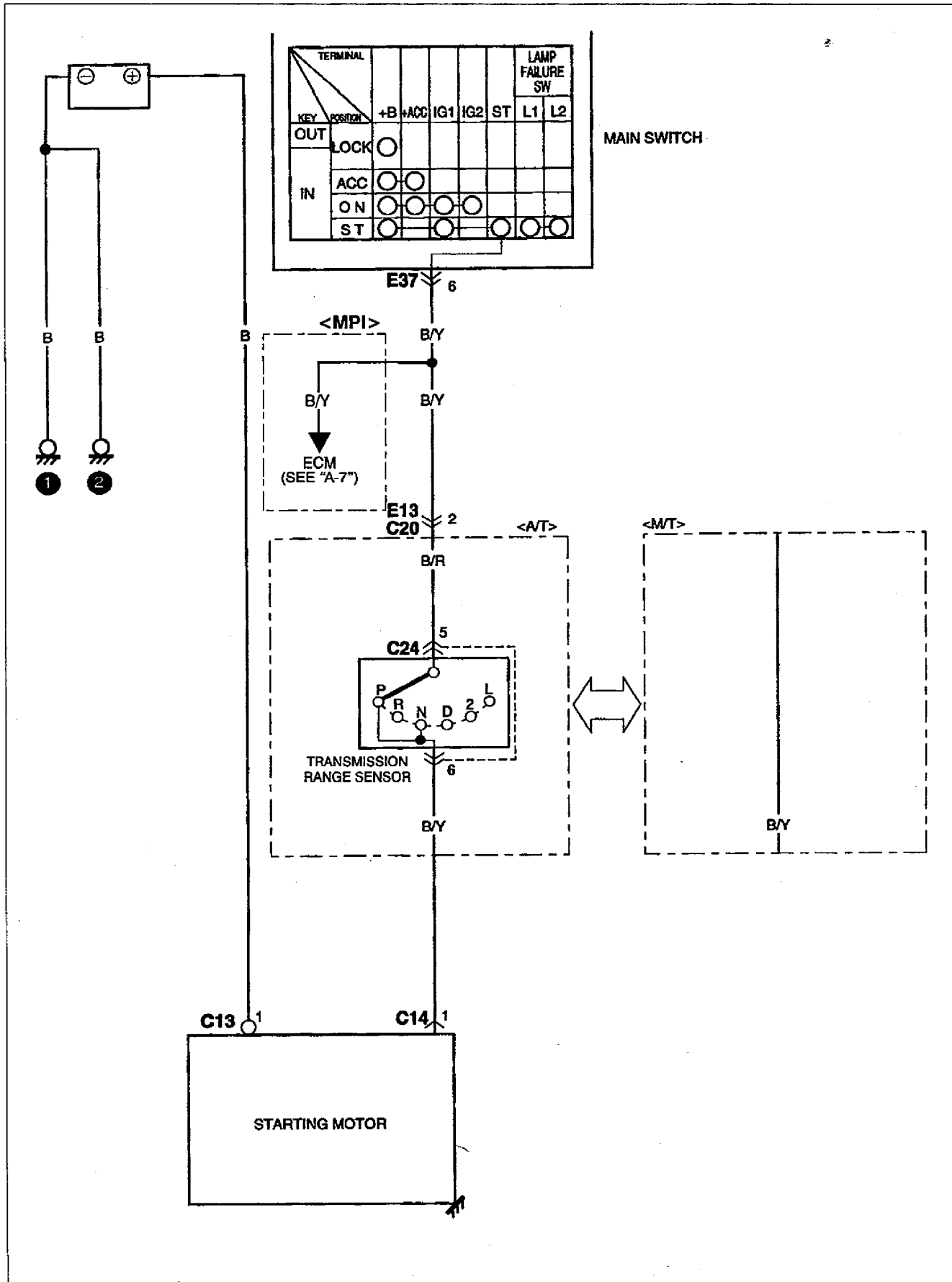
CONTENTS

SYSTEM NO.	SYSTEM	PAGE NO.
A-1	CRANKING SYSTEM.....	8A-7-2
A-2	CHARGING SYSTEM .....	8A-7-3
A-3	IGNITION SYSTEM (MPI) .....	8A-7-4
A-4	IGNITION SYSTEM (CARB) .....	8A-7-5
A-5	COOLING SYSTEM (MPI) .....	8A-7-6
A-6	COLLING SYSTEM (CARB) .....	8A-7-7
A-7	ENGINE & AT CONTROL SYSTEM.....	8A-7-8
A-8	ENGINE & CARB CONTROL SYSTEM .....	8A-7-14
B-1	WINDSHIELD WIPER & WSHER.....	8A-7-18
B-2	REAR WIPER & WASHER .....	8A-7-19
B-3	REAR DEFOGGER .....	8A-7-20
B-4	POWER WINDOW .....	8A-7-22
B-5	POWER DOOR LOCK .....	8A-7-24
B-6	HORN .....	8A-7-25
C-1	COMBINATION METER (METER & GAUGE) .....	8A-7-26
C-2	COMBINATION METER (INDICATOR LAMP) .....	8A-7-27
C-3	COMBINATION METER (WARNING LAMP).....	8A-7-28
D-1	HEADLIGHT SYSTEM (VEHICLE WITH DRL) .....	8A-7-30
D-2	HEADLIGHT SYSTEM (VEHICLE WITHOUT DRL).....	8A-7-32
D-3	POSITION, TAIL AND LICENSE PLATE LIGHT .....	8A-7-33
D-4	ILLUMINATION LAMP .....	8A-7-34
D-5	ROOM LIGHT .....	8A-7-35
D-6	TURN SIGNAL AND HAZARD WARNING LIGHT .....	8A-7-36
D-7	BRAKE LIGHT .....	8A-7-37
D-8	BACK-UP LIGHT (MPI) .....	8A-7-38
D-9	BACK-UP LIGHT (CARB) .....	8A-7-39
D-10	REAR FOG LIGHT .....	8A-7-40
E-1	HEATER SYSTEM (MPI).....	8A-7-42
E-2	HEATER SYSTEM (CARB) .....	8A-7-44
G-1	CLOCK .....	8A-7-46
G-2	CIGAR LIGHTER .....	8A-7-47
G-3	IMMOBILIZER CONTROL SYSTEM .....	8A-7-48
G-4	HEADLIGHT BEAM LEVELING SYSTEM .....	8A-7-49

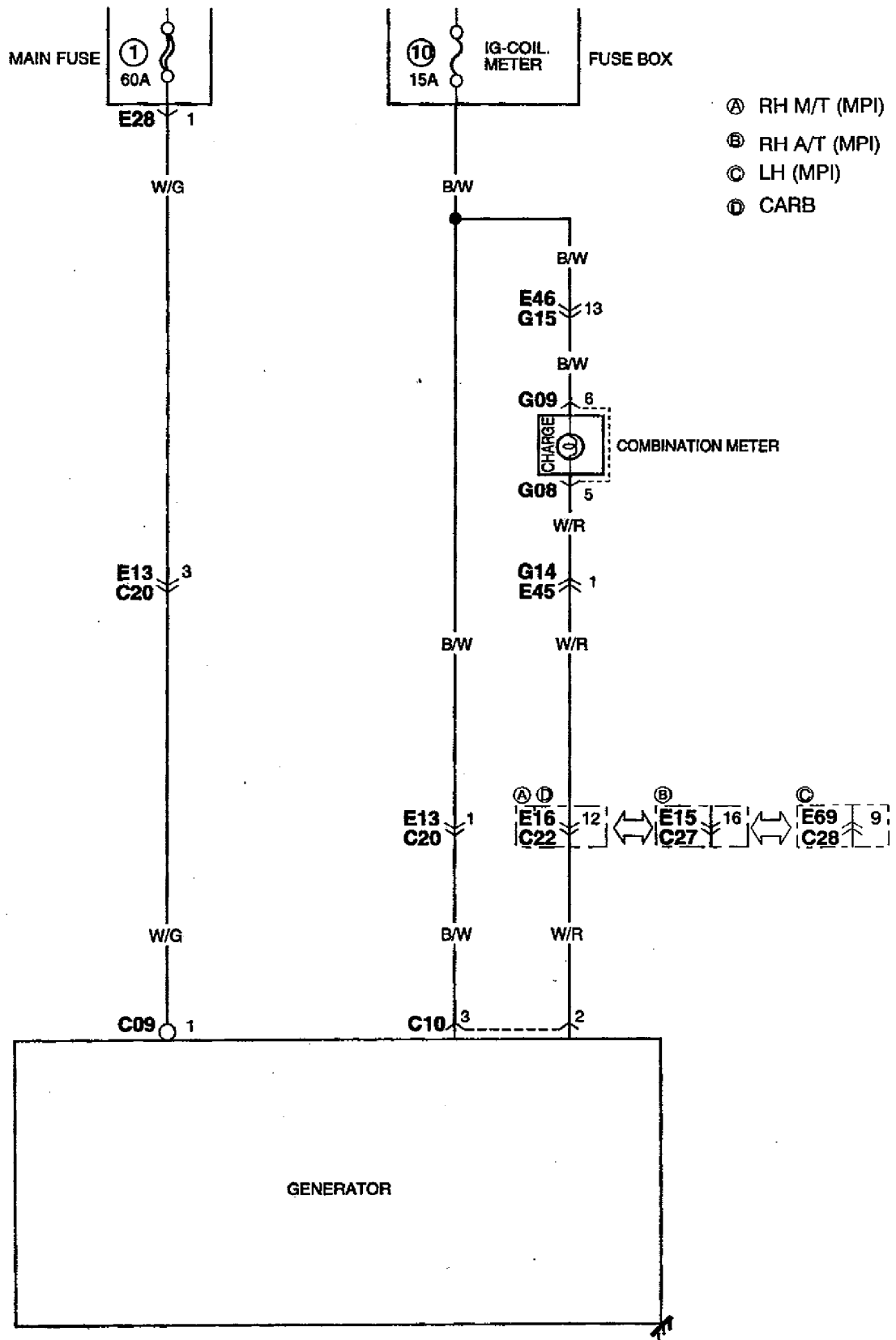


8A-7-2 SYSTEM CIRCUIT DIAGRAM

**A-1 CRANKING SYSTEM**

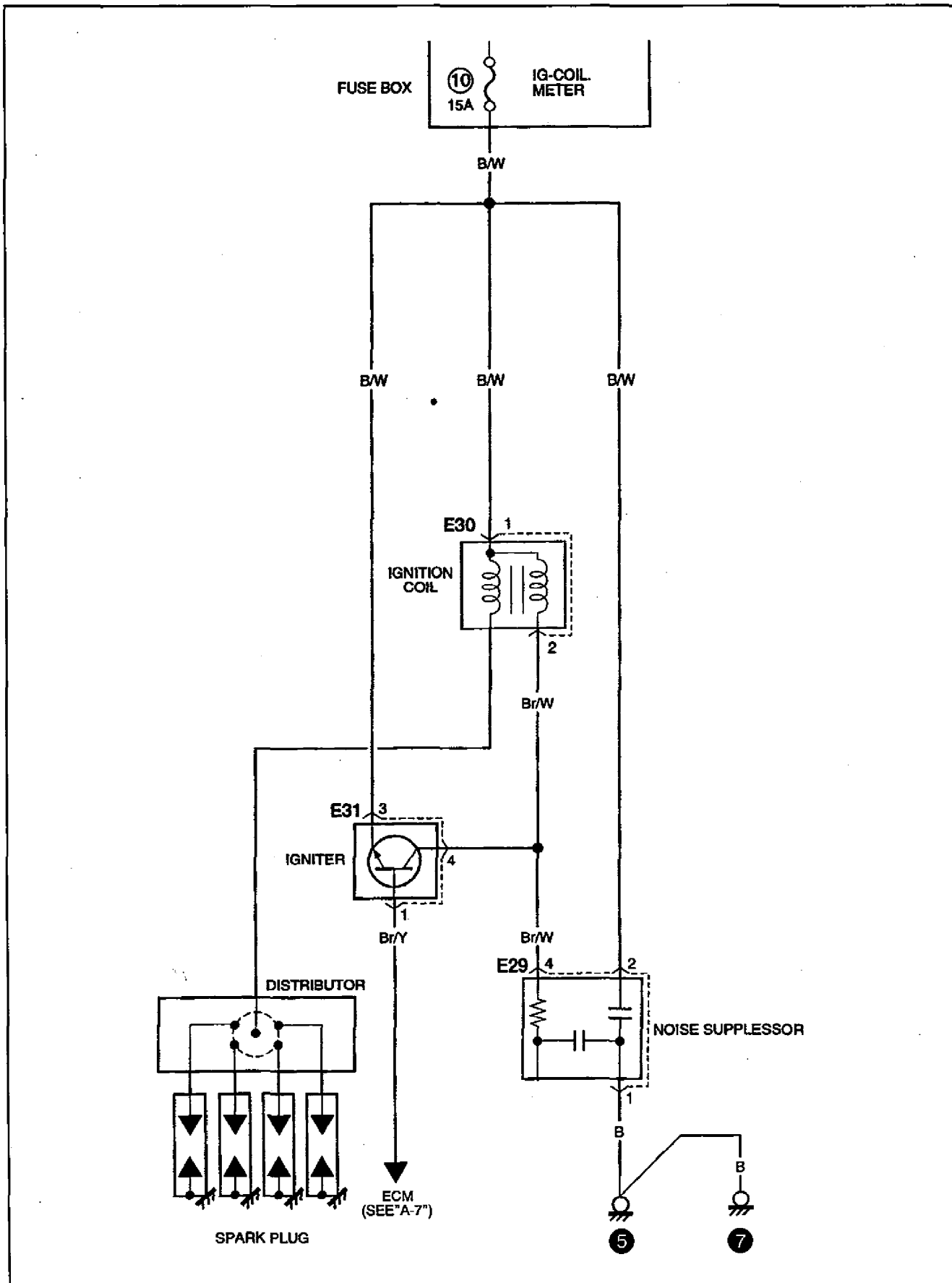


# A-2 CHARGING SYSTEM



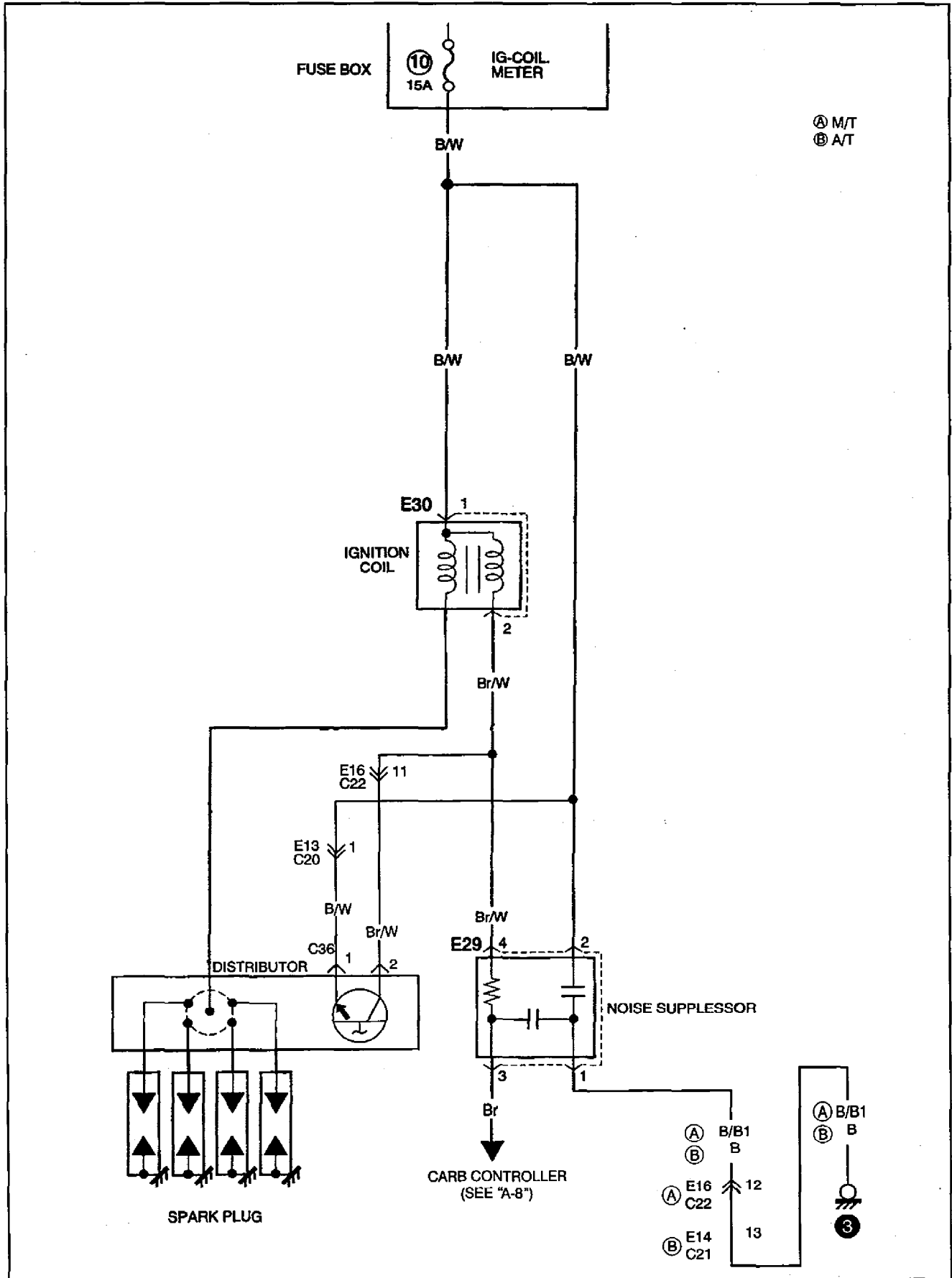
8A-7-4 SYSTEM CIRCUIT DIAGRAM

# A-3 IGNITION SYSTEM (MPI)



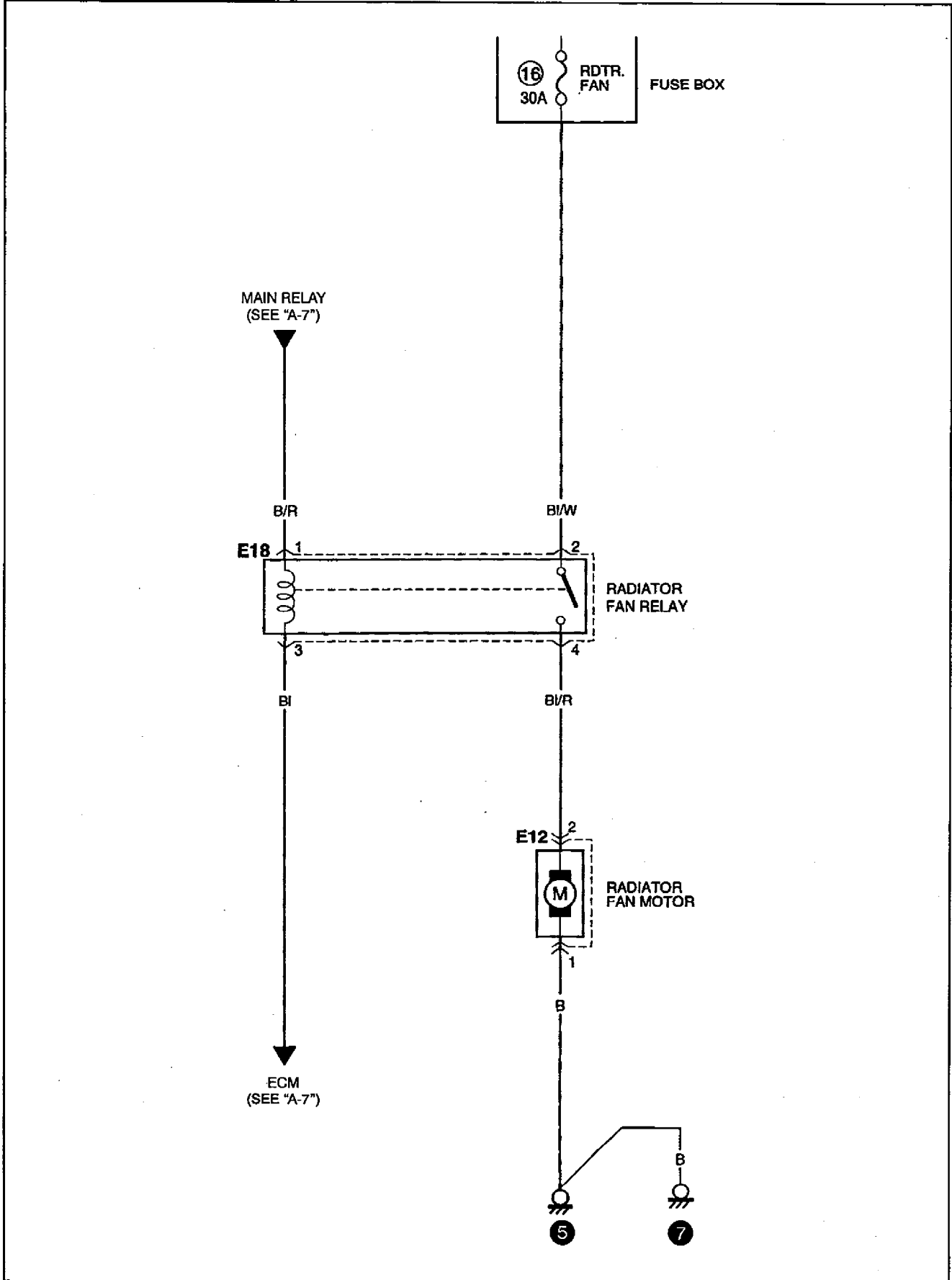
8A-7-5 SYSTEM CIRCUIT DIAGRAM

# A-4 IGNITION SYSTEM (CARB)

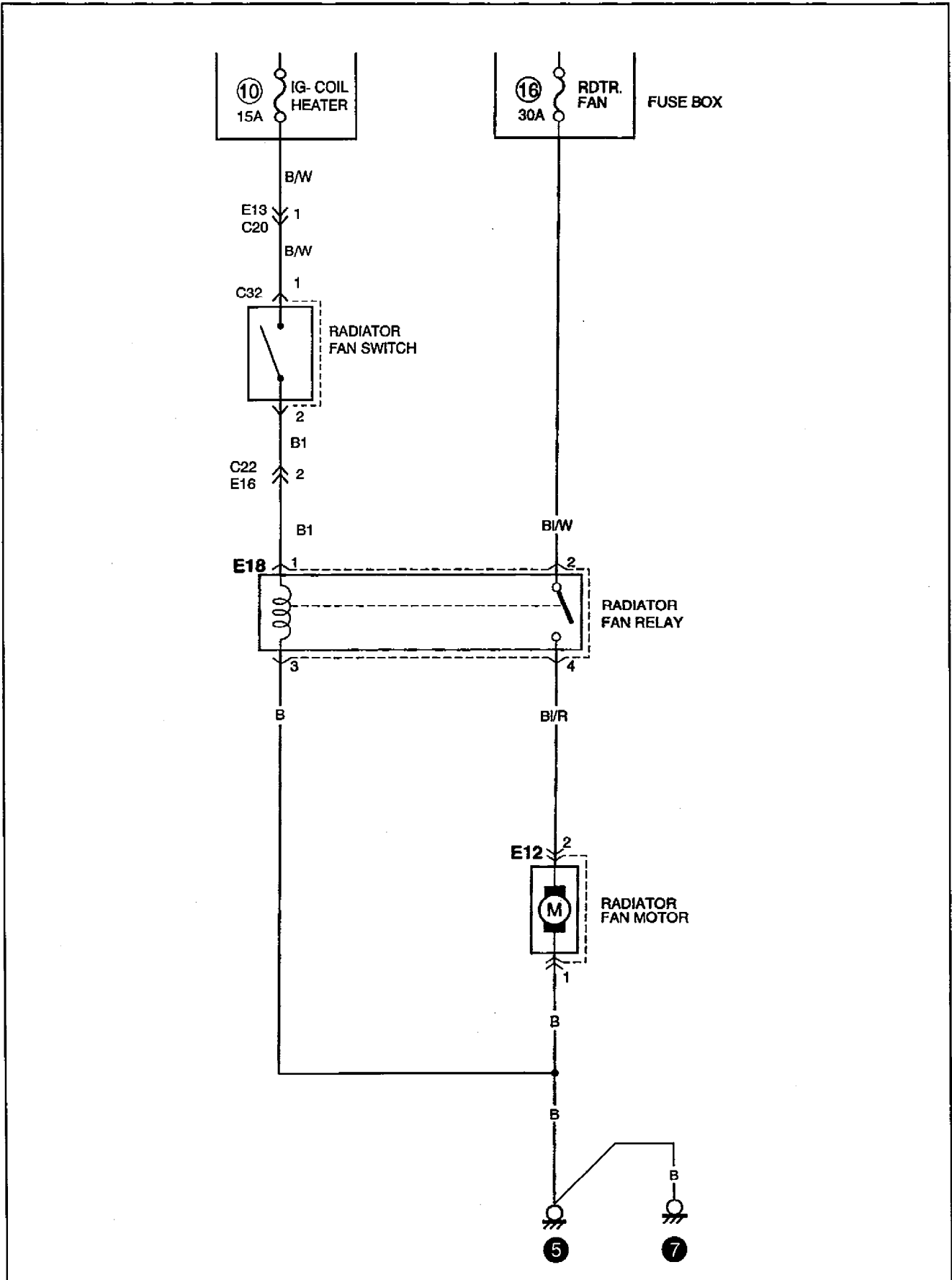


8A-7-6 SYSTEM CIRCUIT DIAGRAM

# A-5 COOLING SYSTEM (MPI)

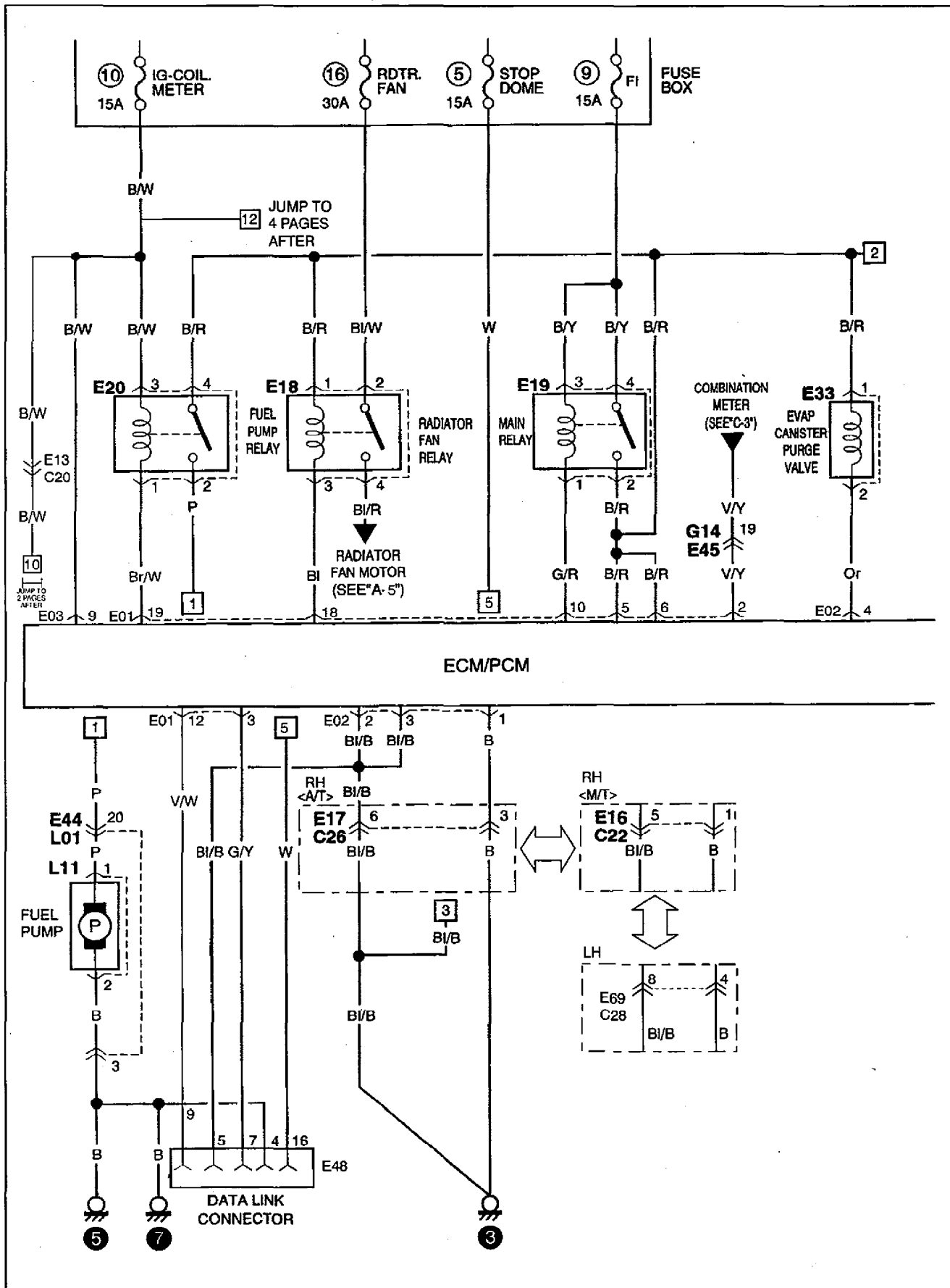


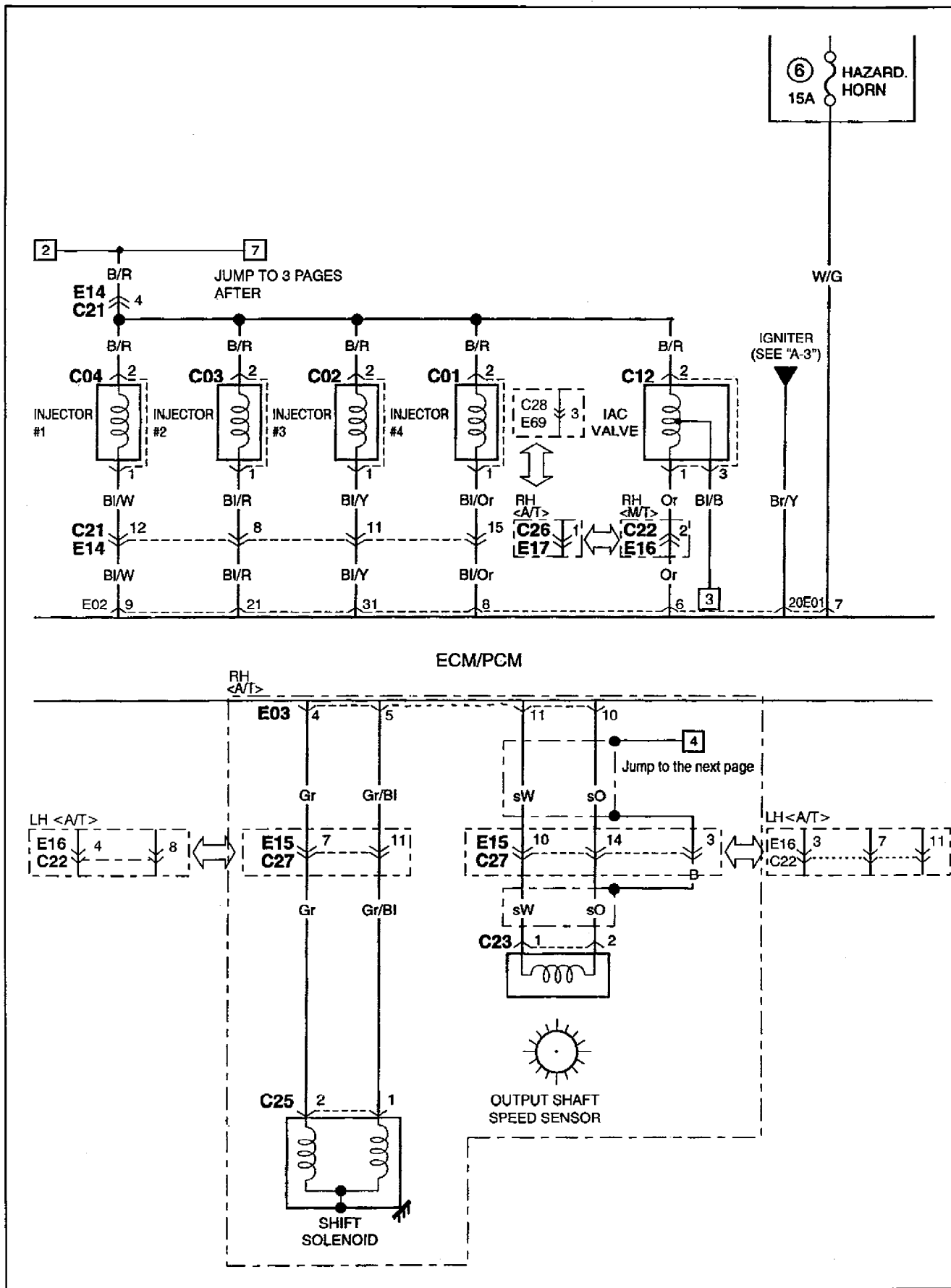
# A-6 COOLING SYSTEM (CARB)



8A-7-8 SYSTEM CIRCUIT DIAGRAM

# A-7 ENGINE & AT CONTROL SYSTEM 1 OF 3 (MPI)

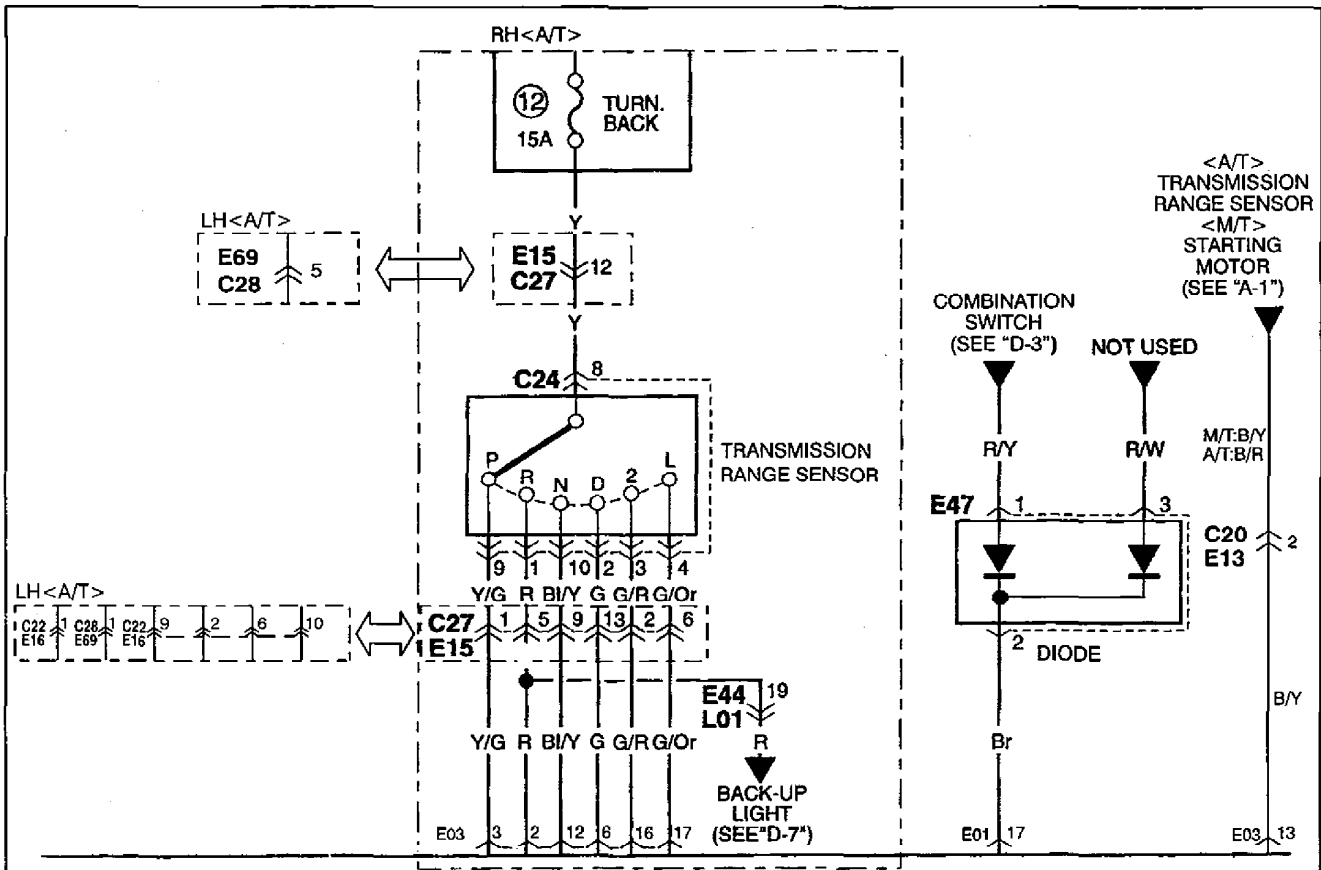




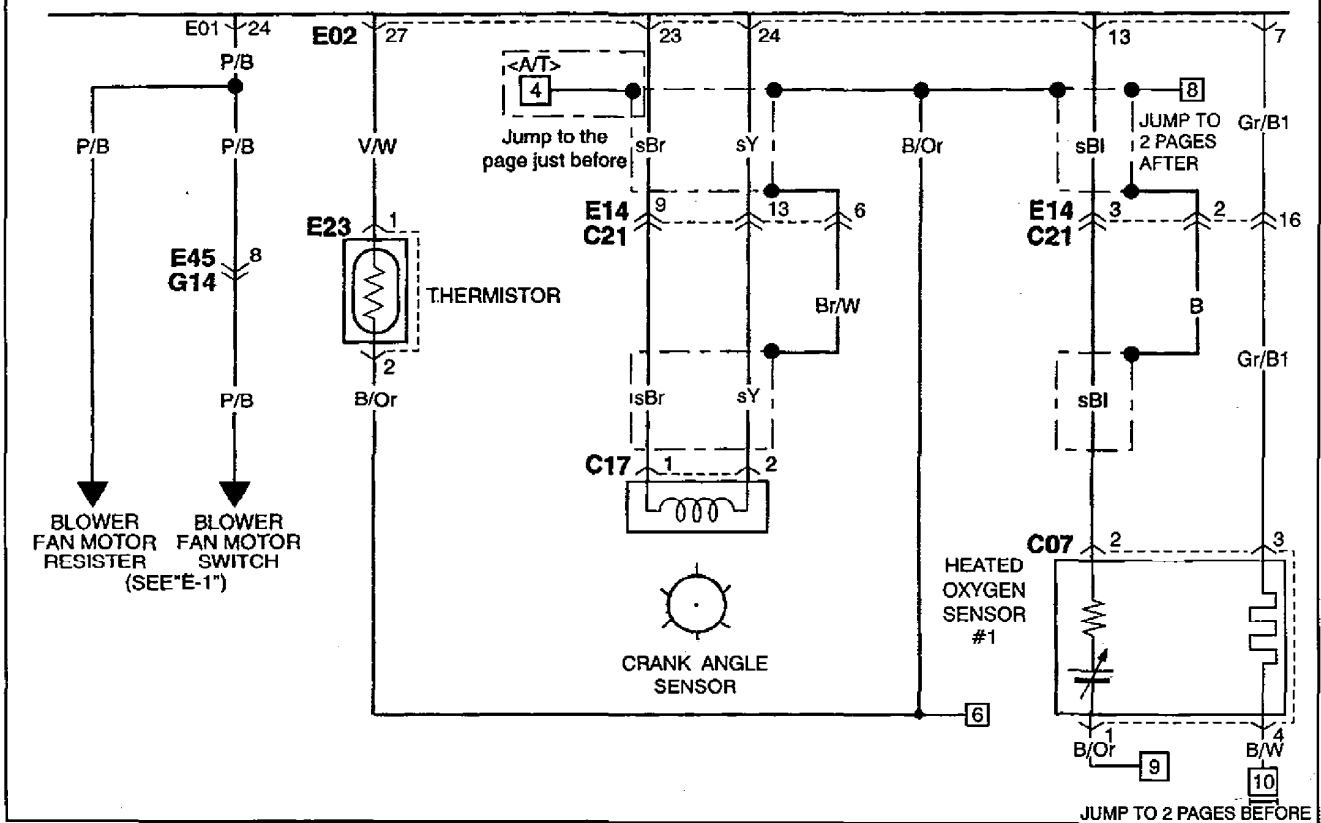


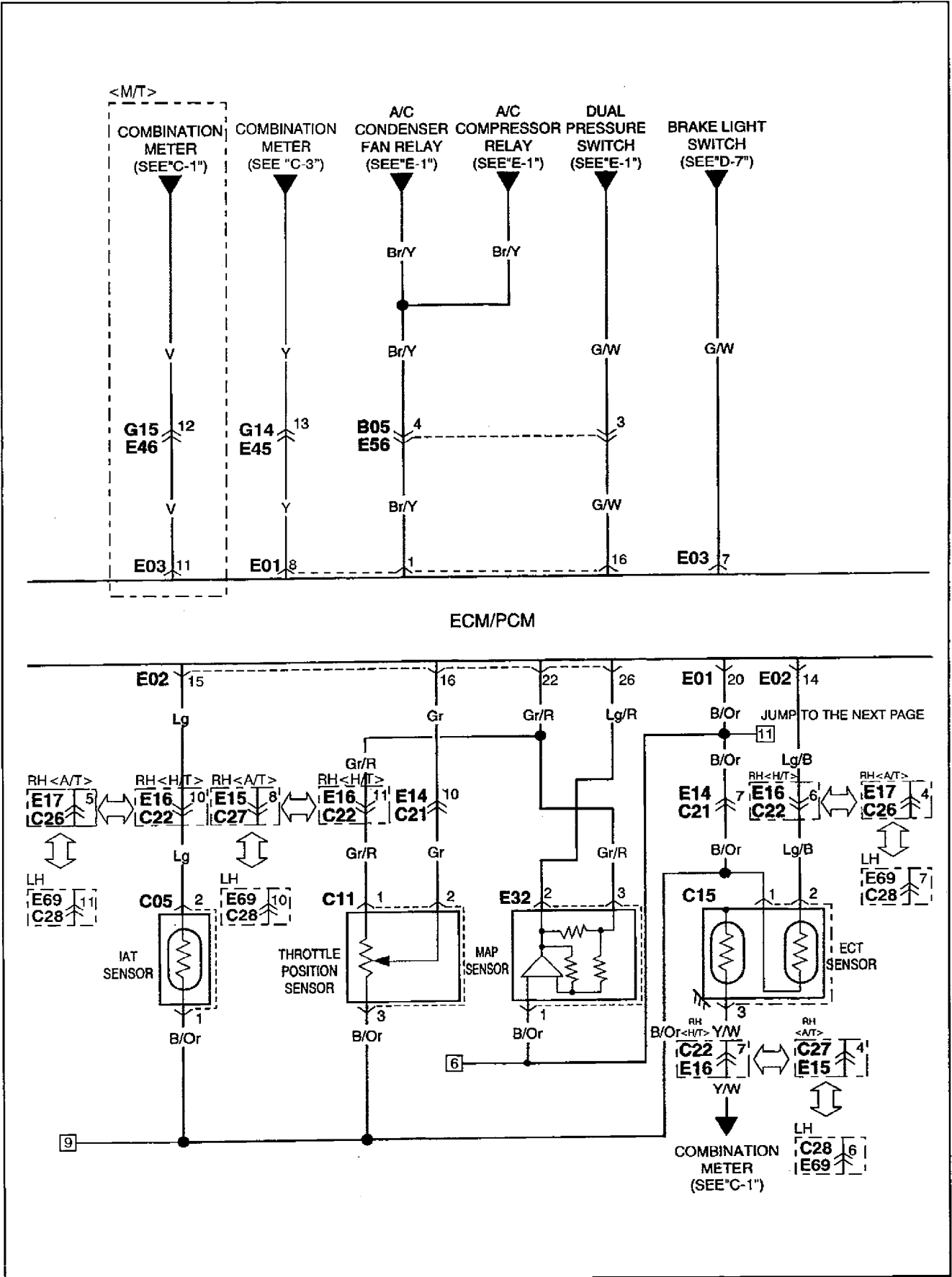
8A-7-10 SYSTEM CIRCUIT DIAGRAM

# A-7 ENGINE & AT CONTROL SYSTEM 2 OF 3 (MPI)

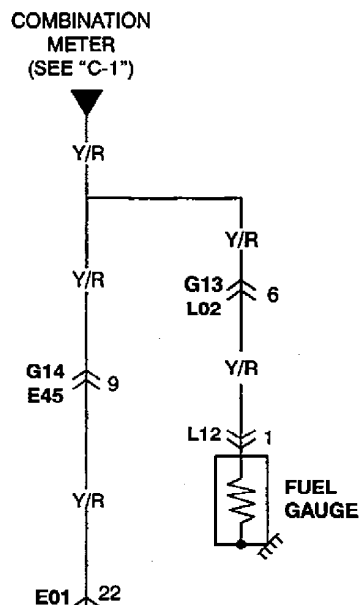
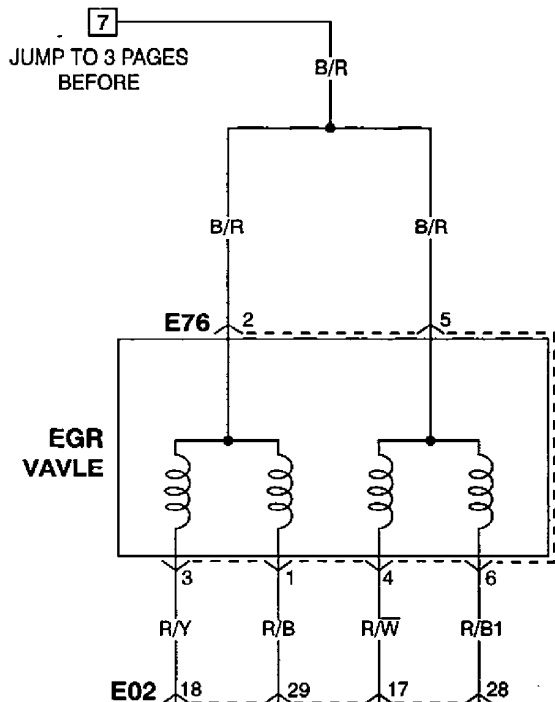


## ECM/PCM

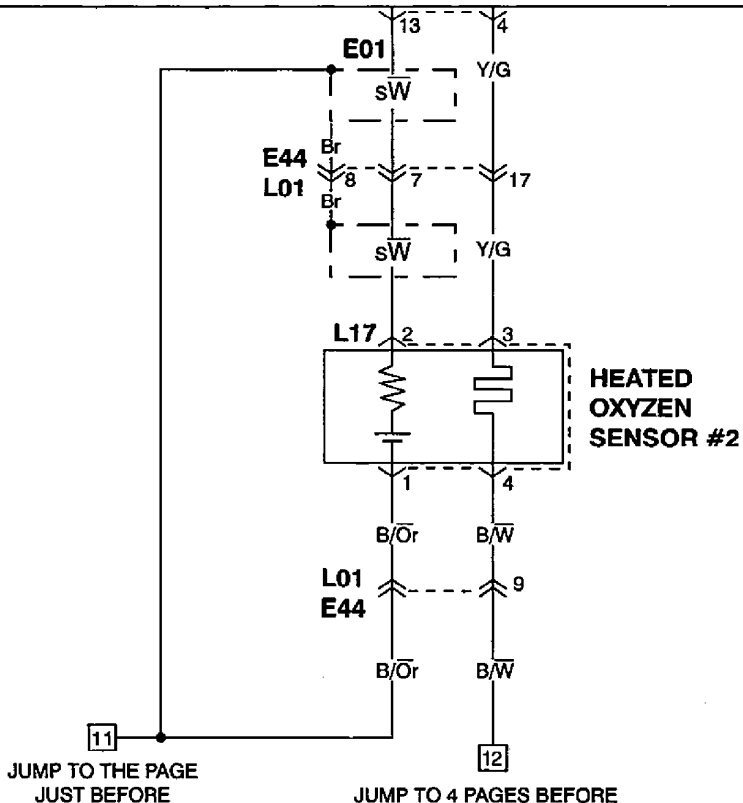
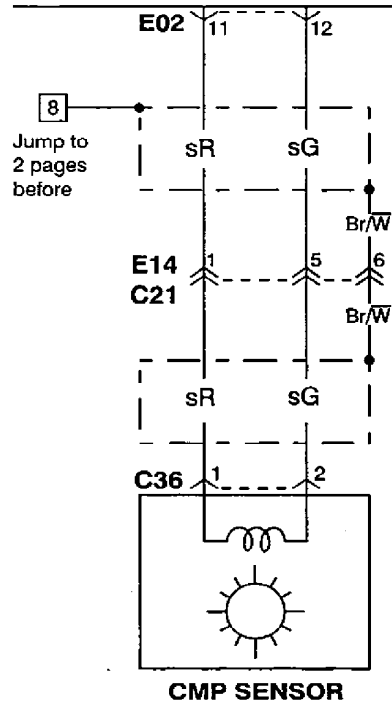




# A-7 ENGINE & AT CONTROL SYSTEM 3 OF 3 (MPI)

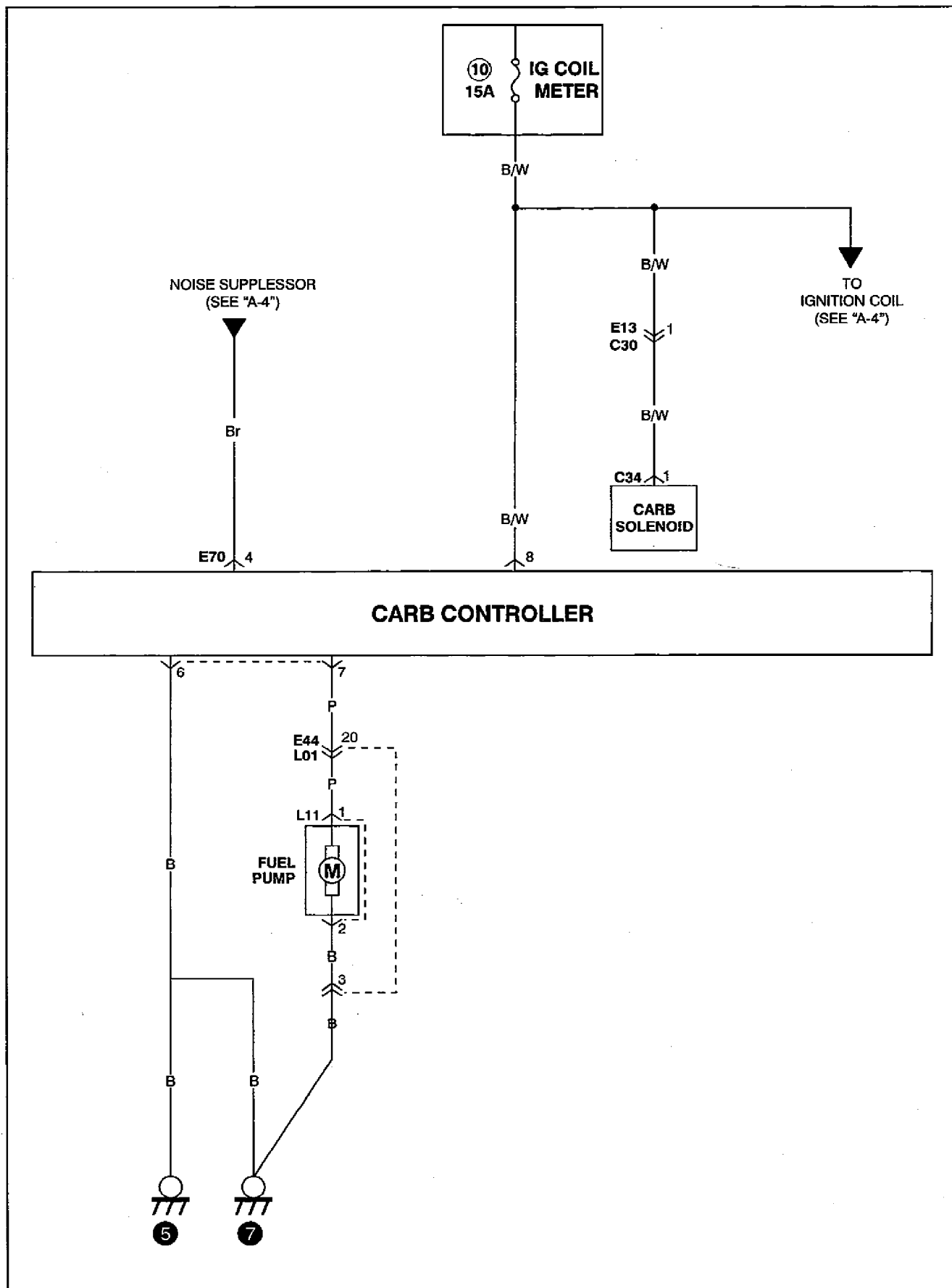


## ECM/PCM



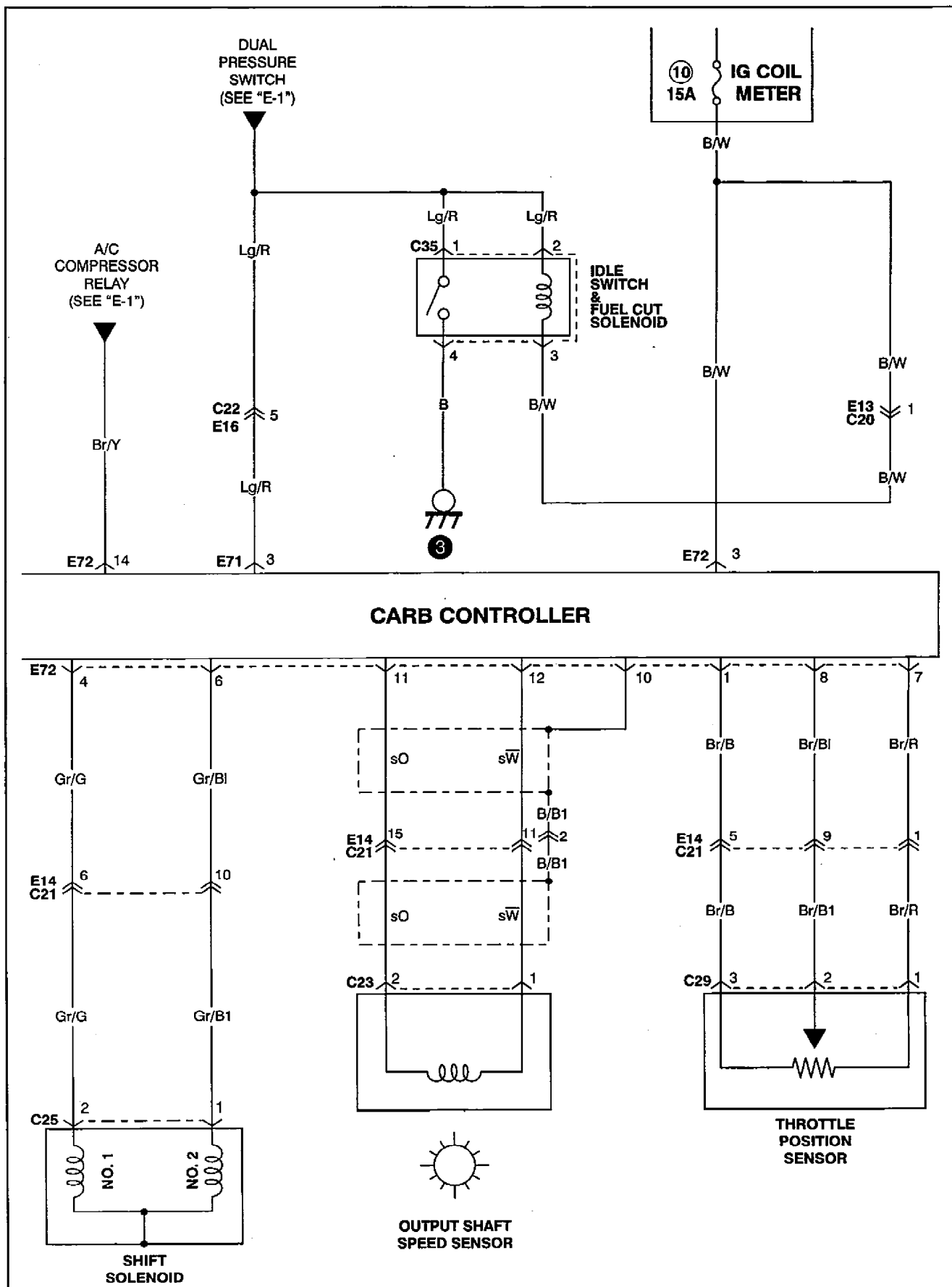
**MEMO**

# A-8 ENGINE & CARB CONTROL SYSTEM (M/T)



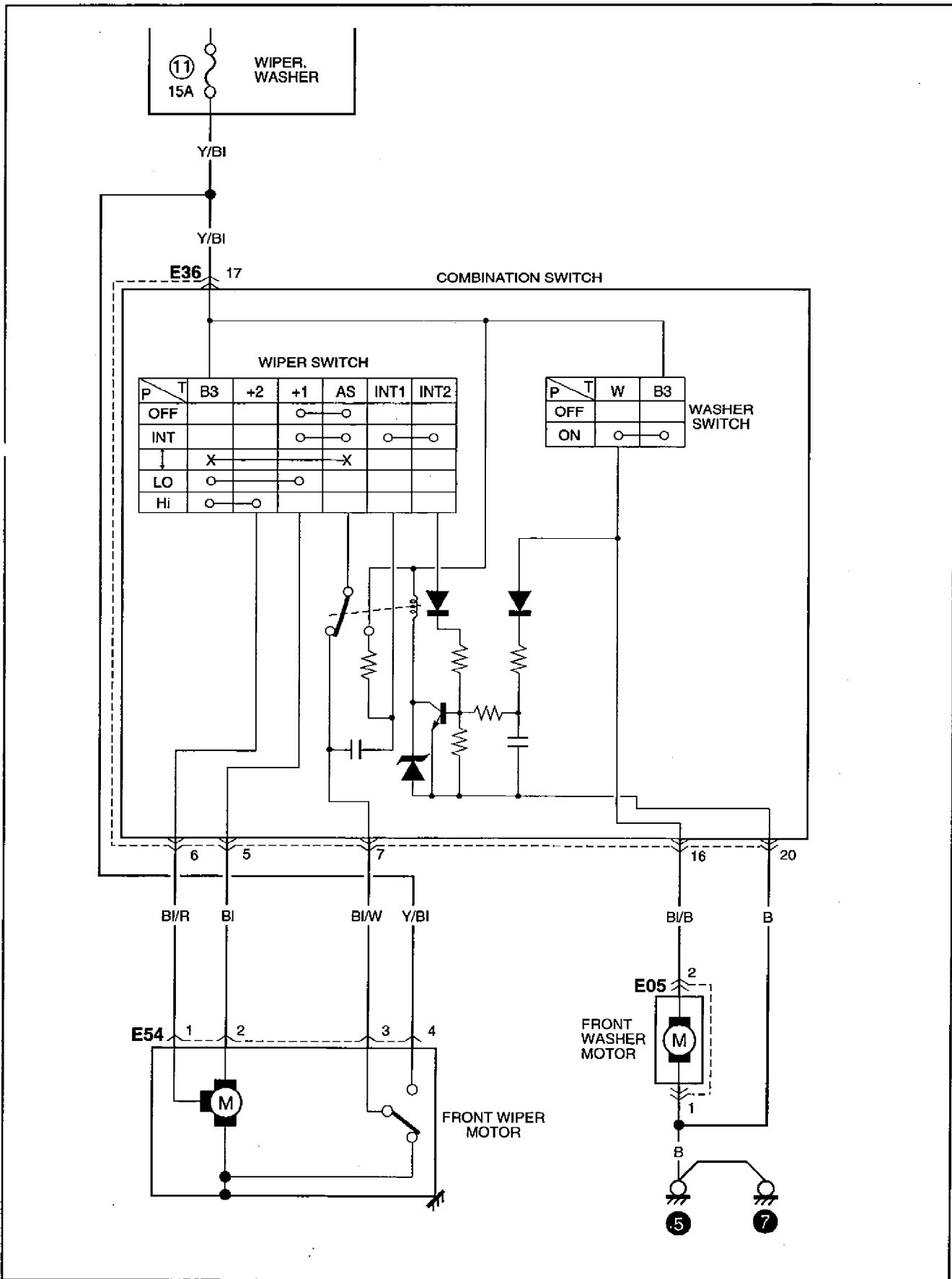
MEMO



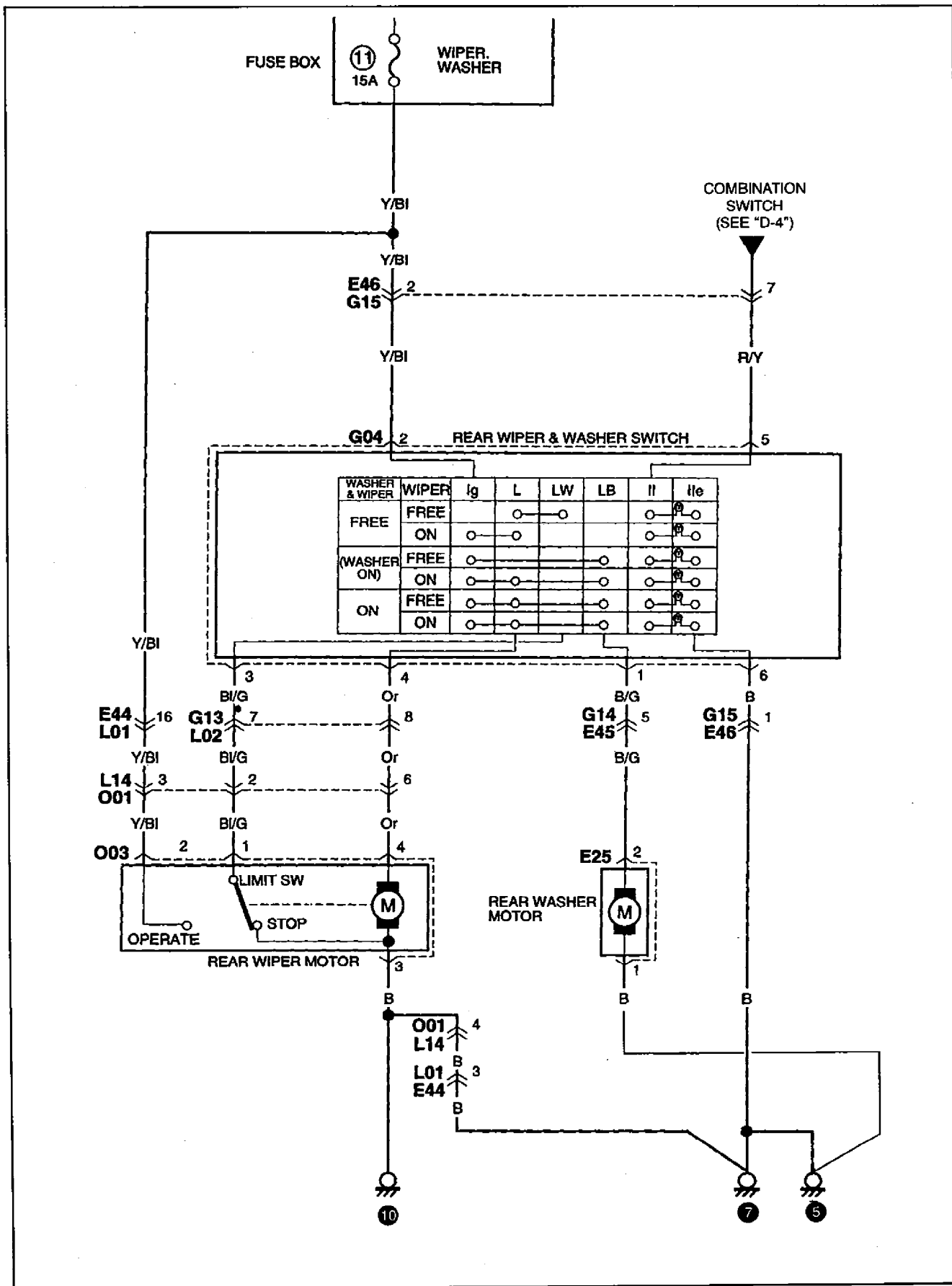




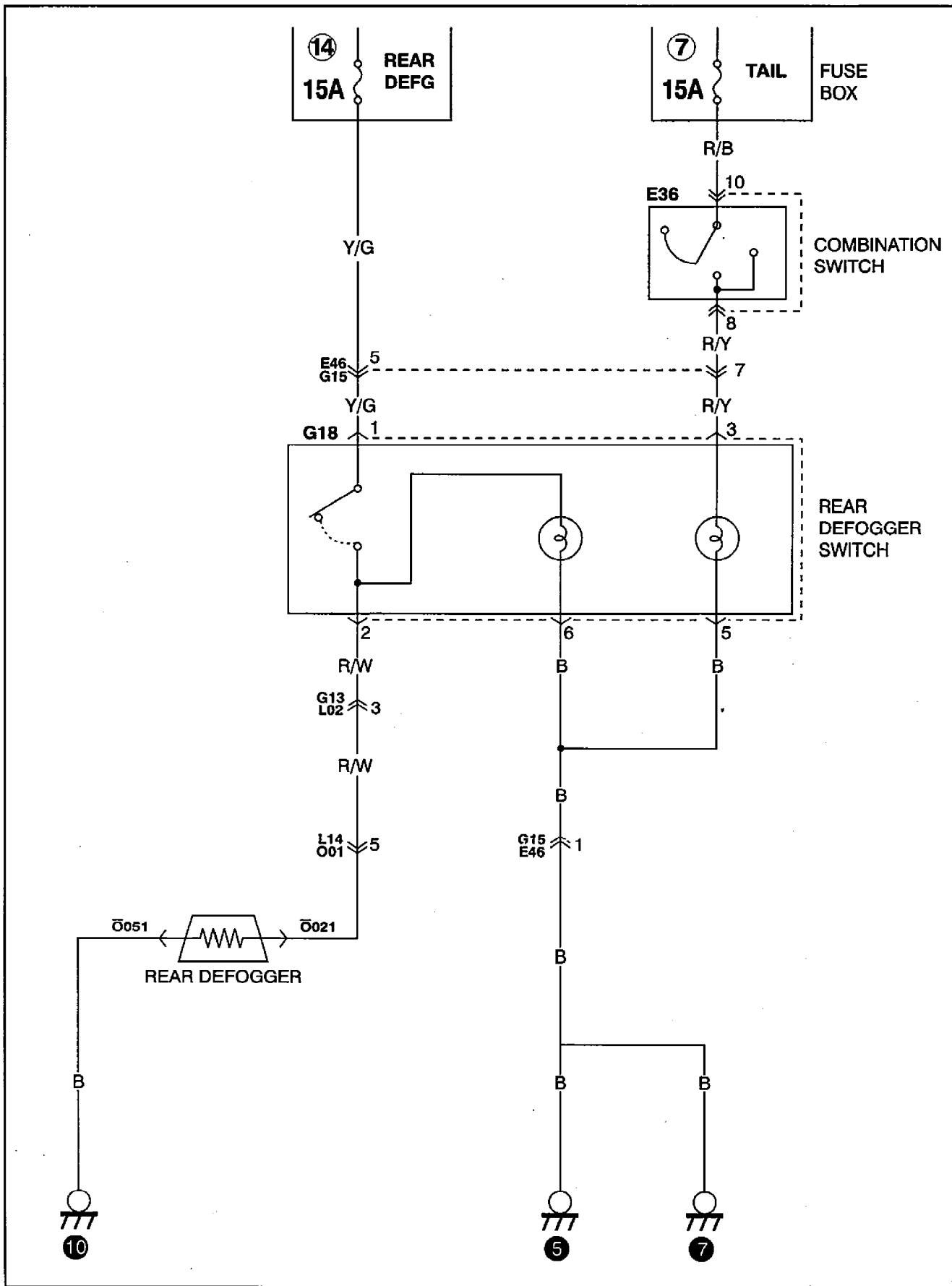
# B-1 WINDSHIELD WIPER & WASHER



# B-2 REAR WIPER & WASHER

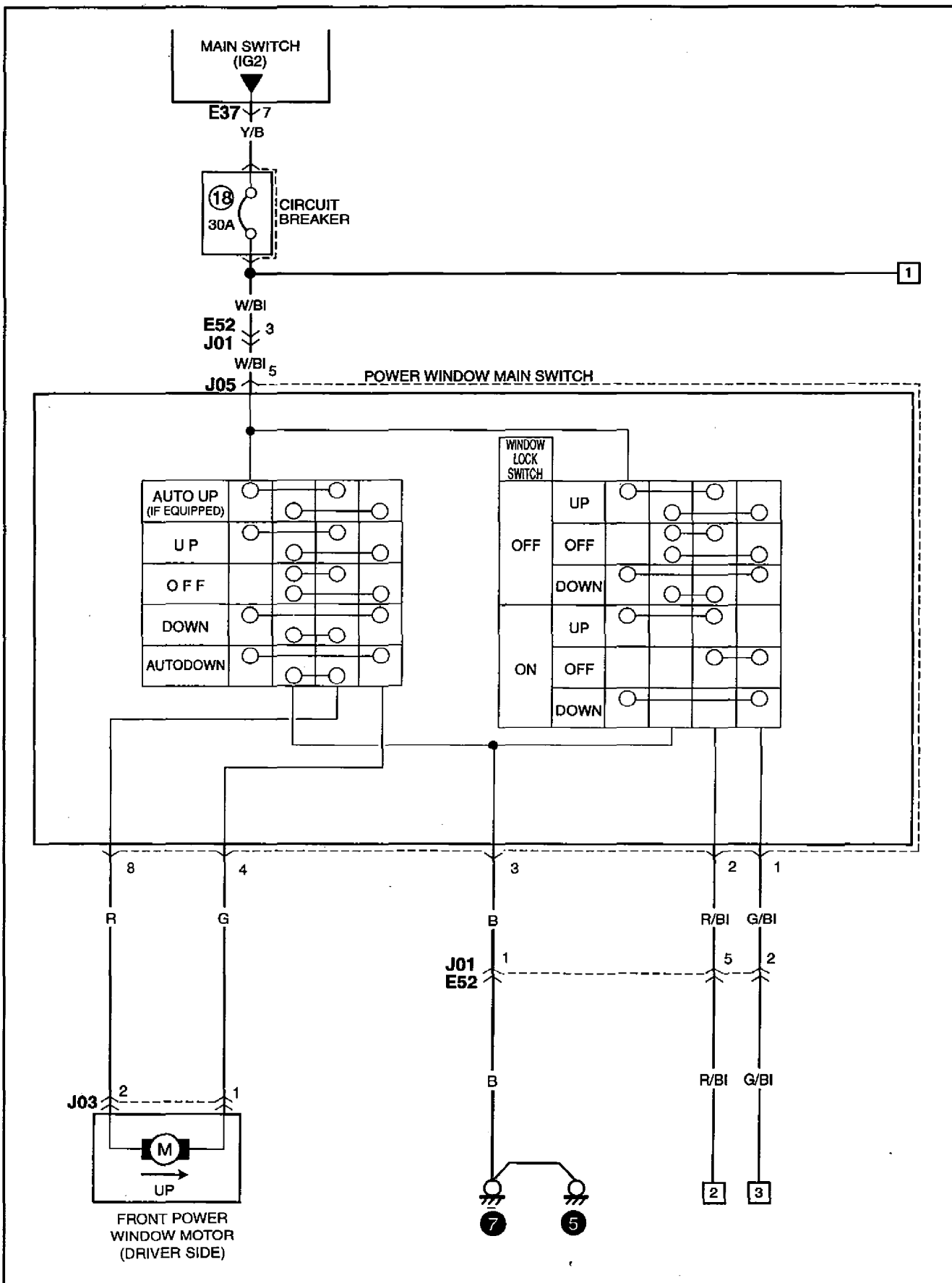


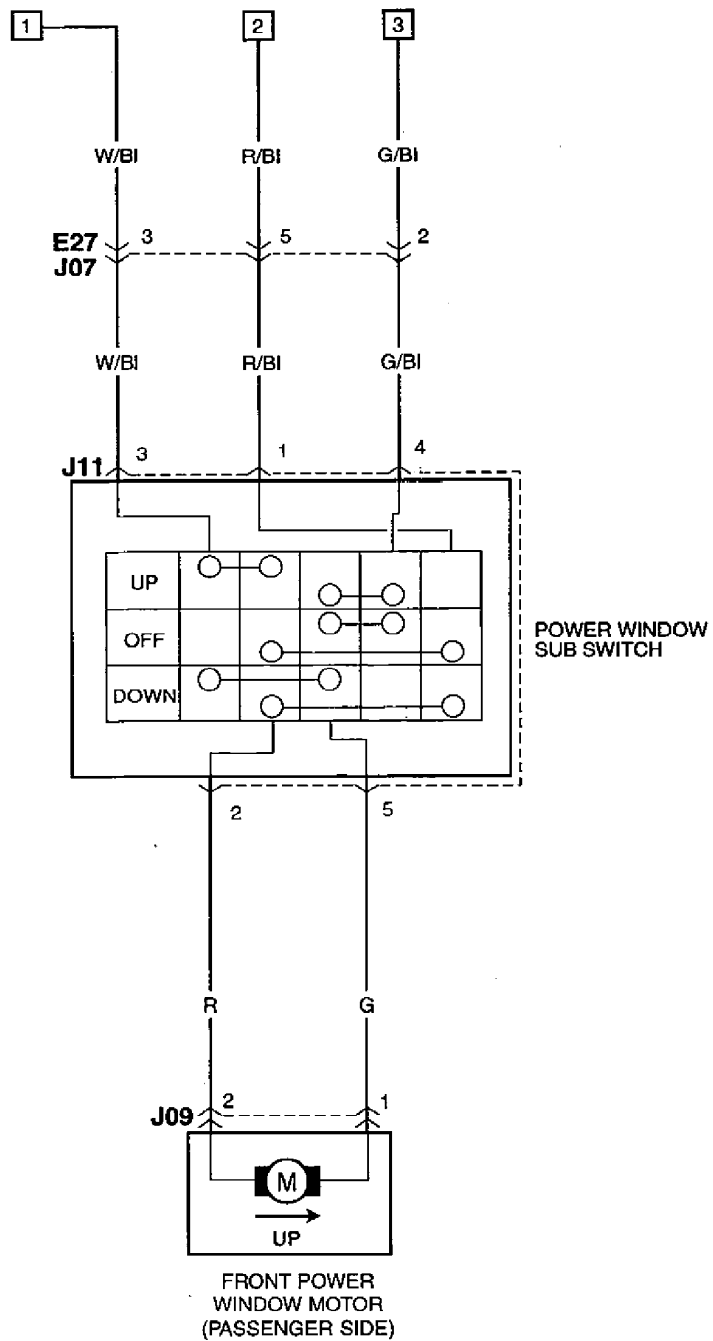
# B-3 REAR DEFOGGER



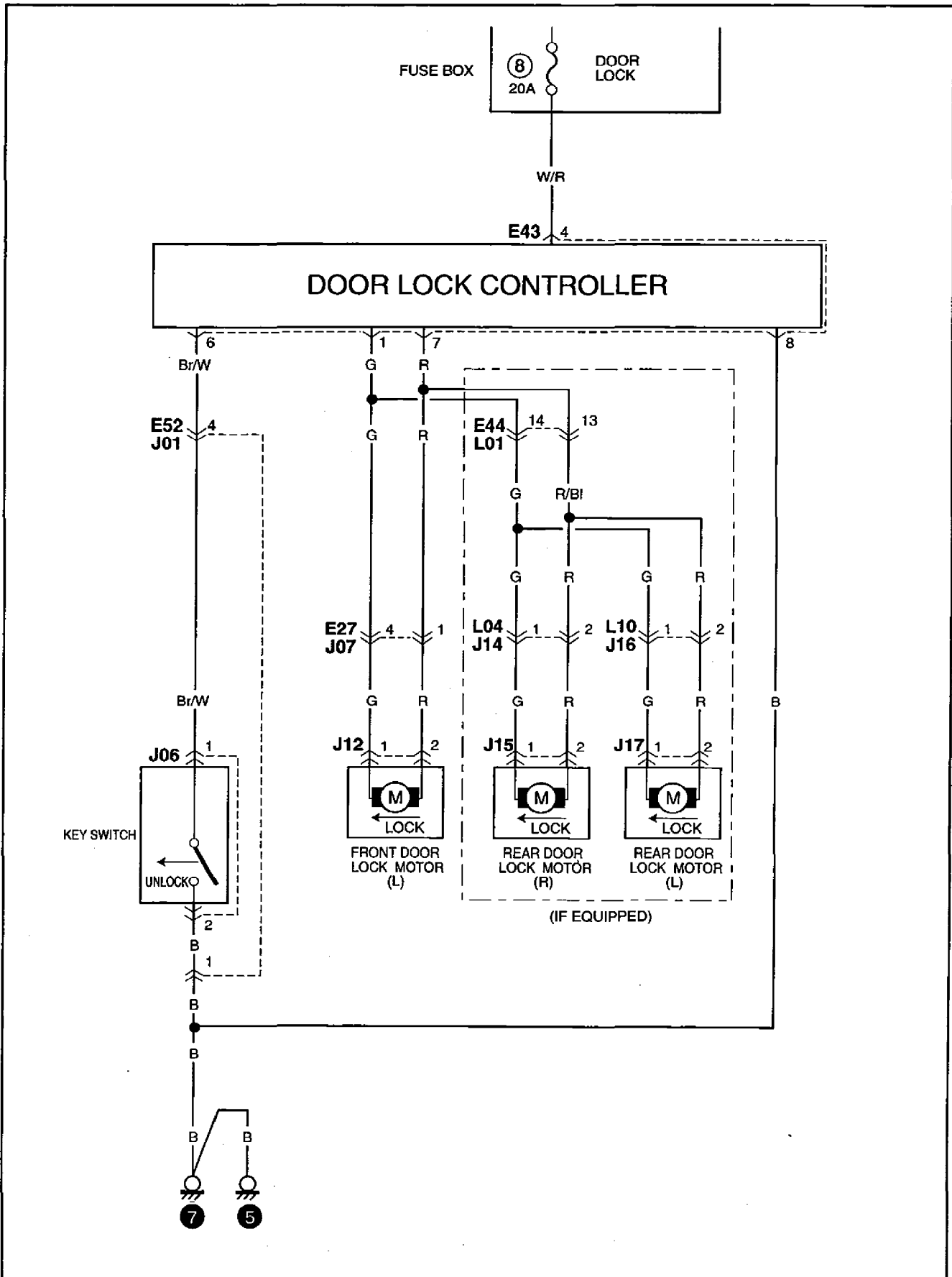
**MEMO**

# B-4 POWER WINDOW

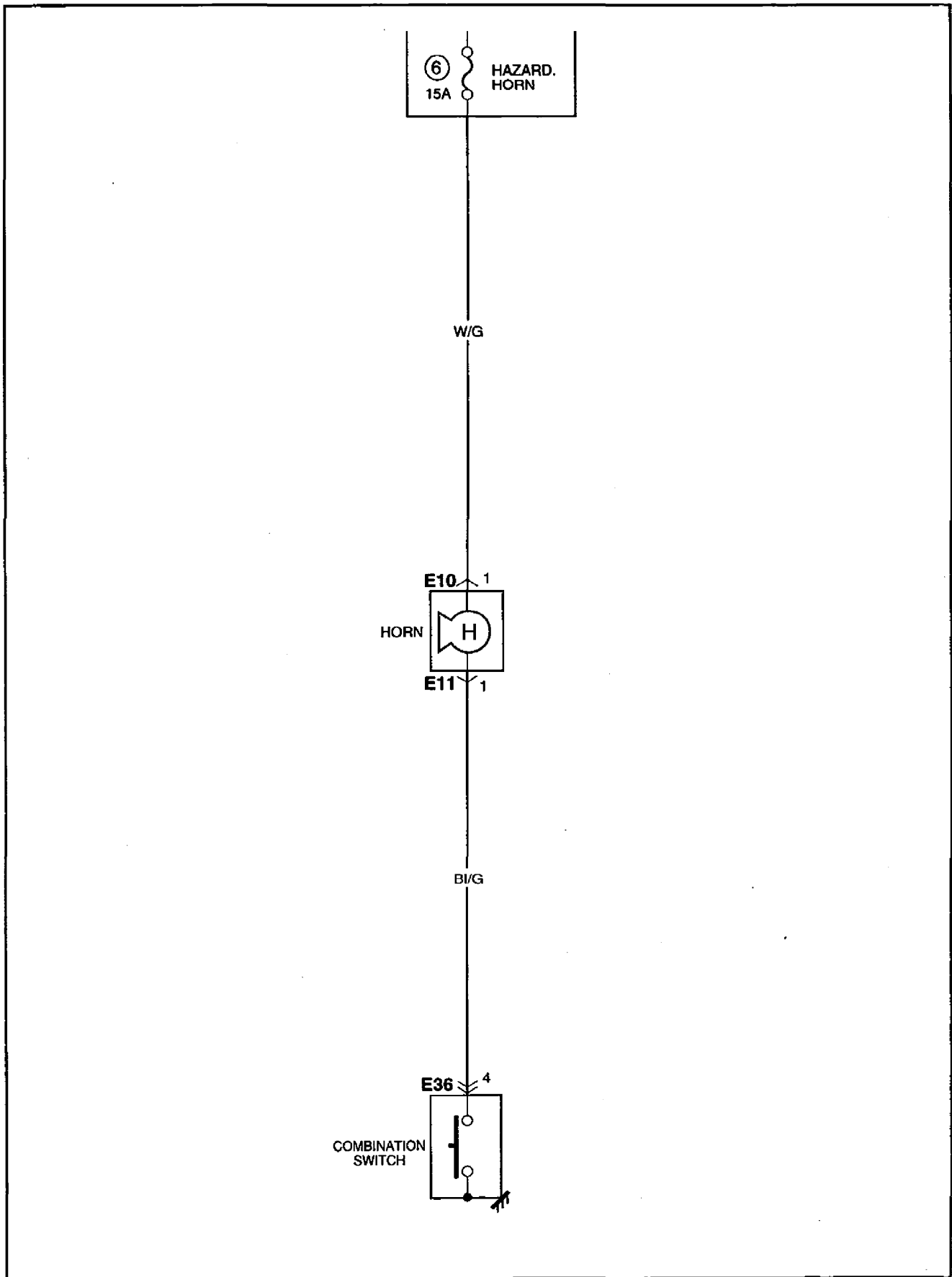




# B-5 POWER DOOR LOCK



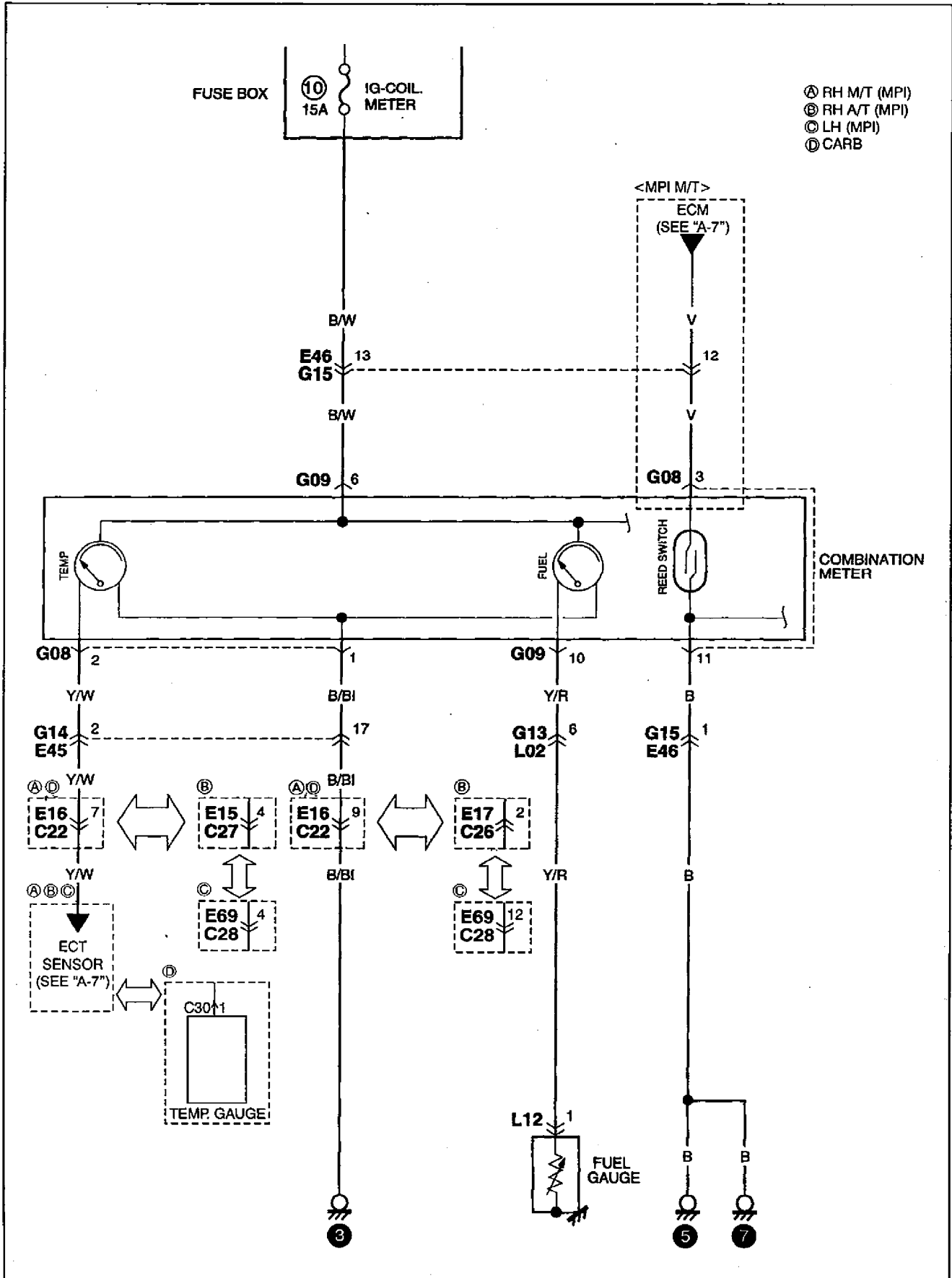
# B-6 HORN



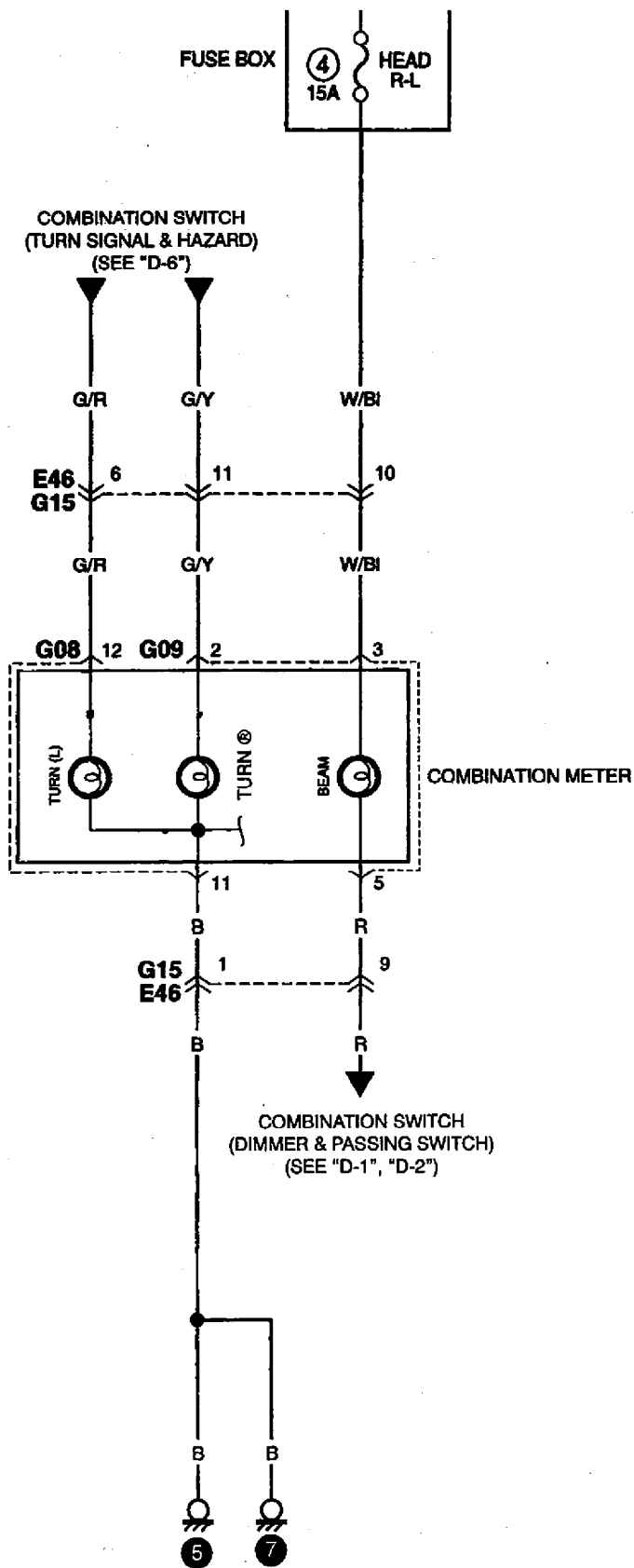


8A-7-26 SYSTEM CIRCUIT DIAGRAM

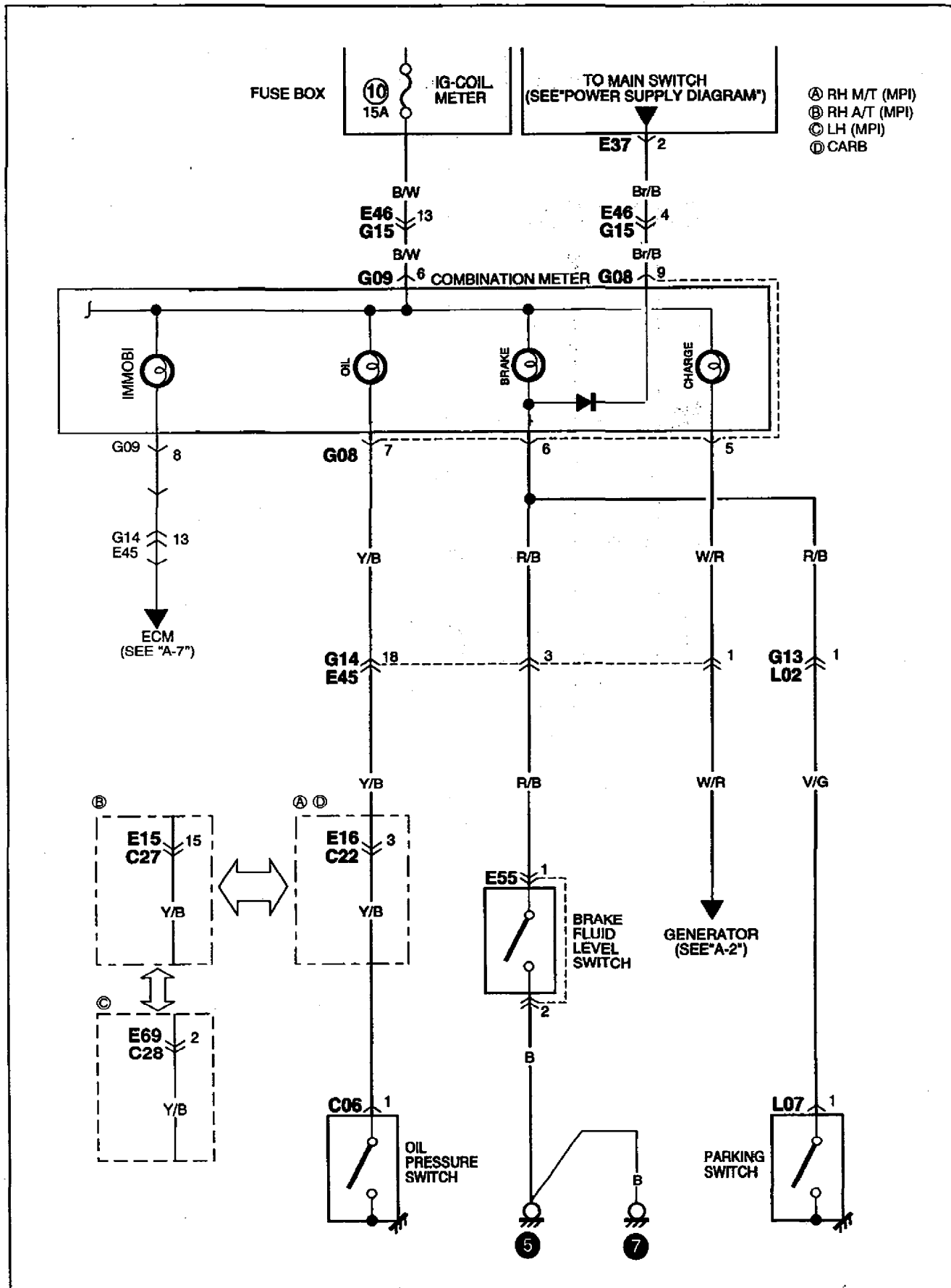
# C-1 COMBINATION METER (METER GAUGE)



# C-2 COMBINATION METER (INDICATOR LAMP)

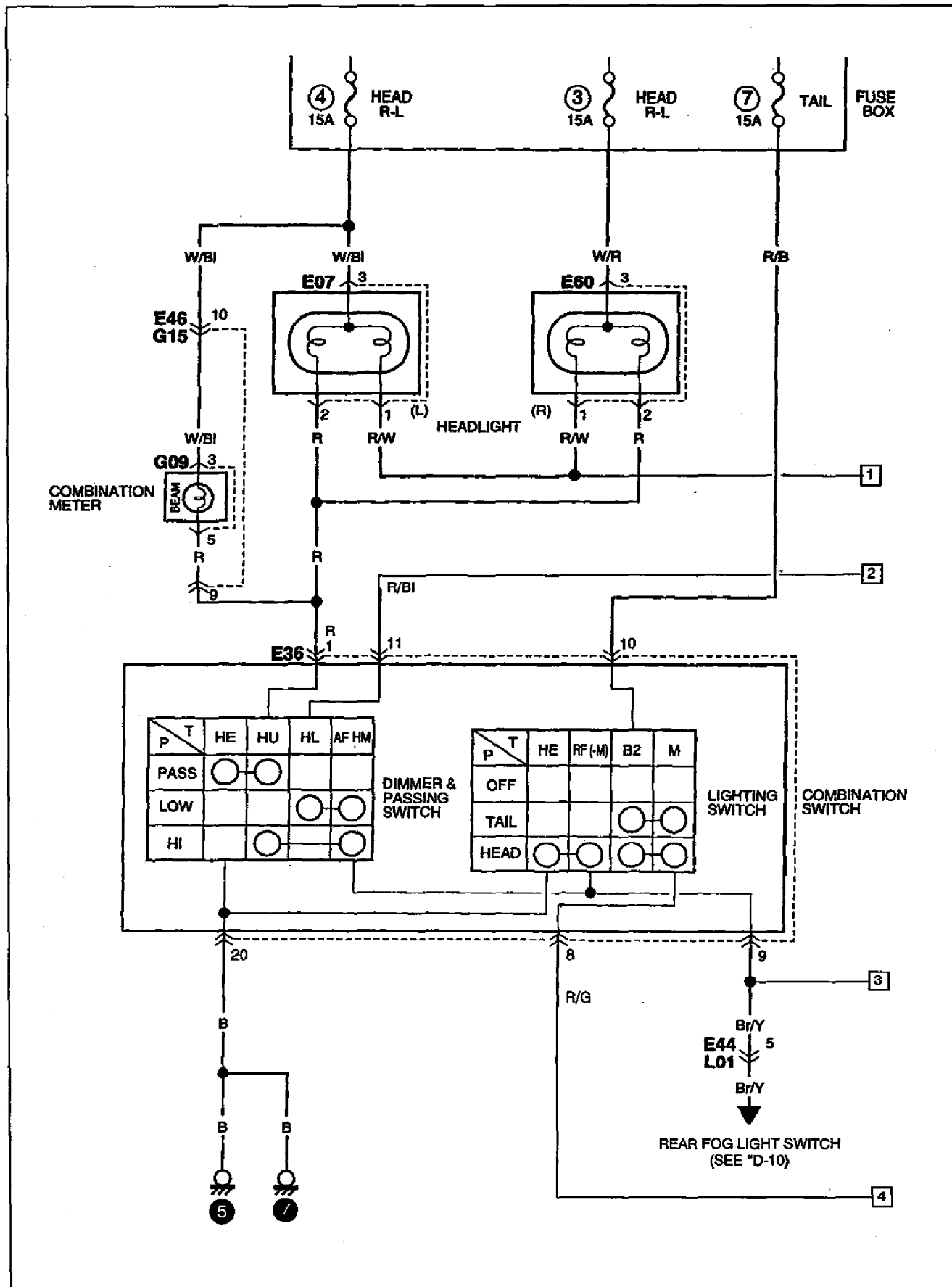


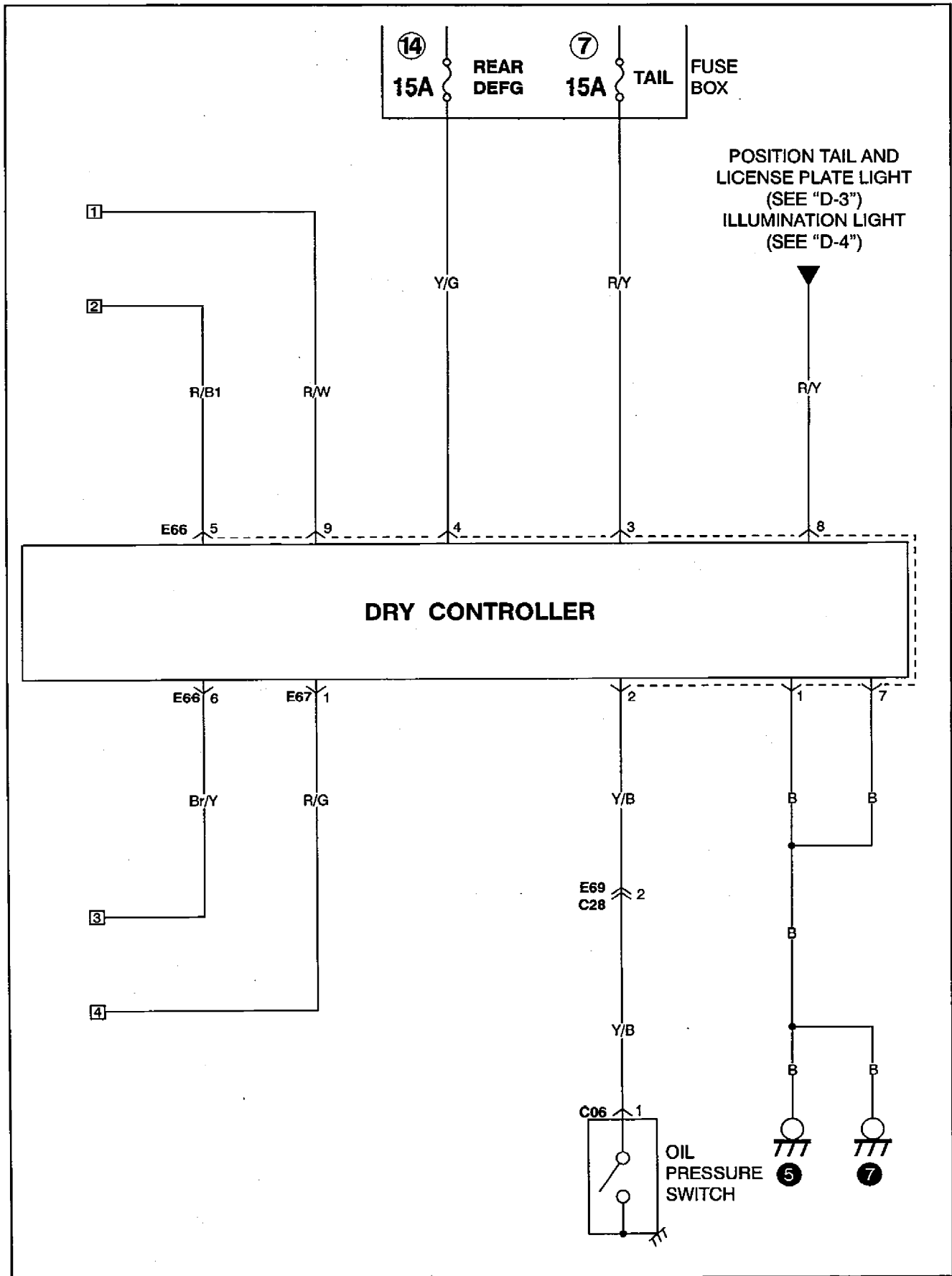
# C-3 COMBINATION METER (WARNING LAMP)



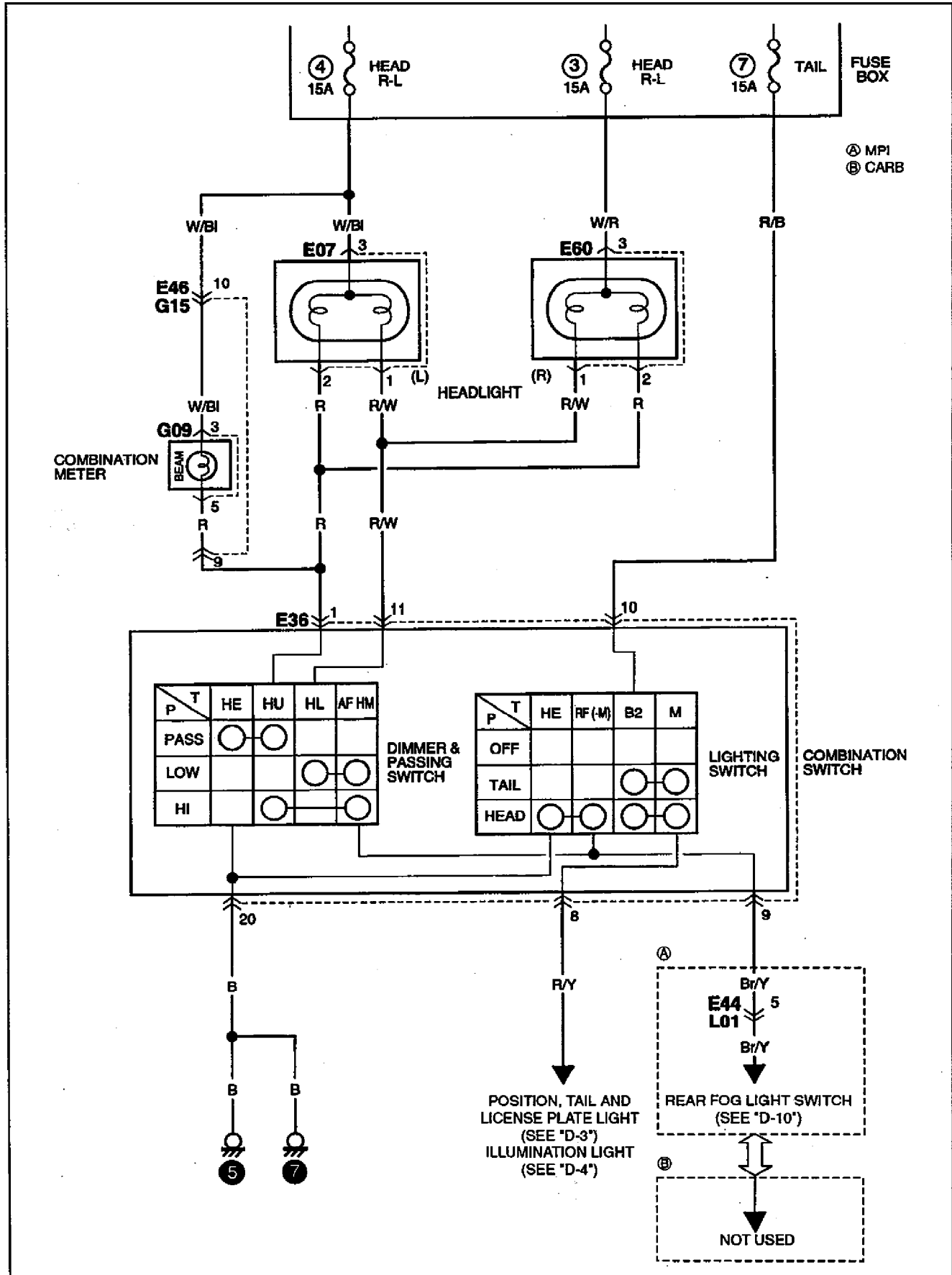
**MEMO**

# D-1 HEADLIGHT SYSTEM (VEHICLE WITH DRL)

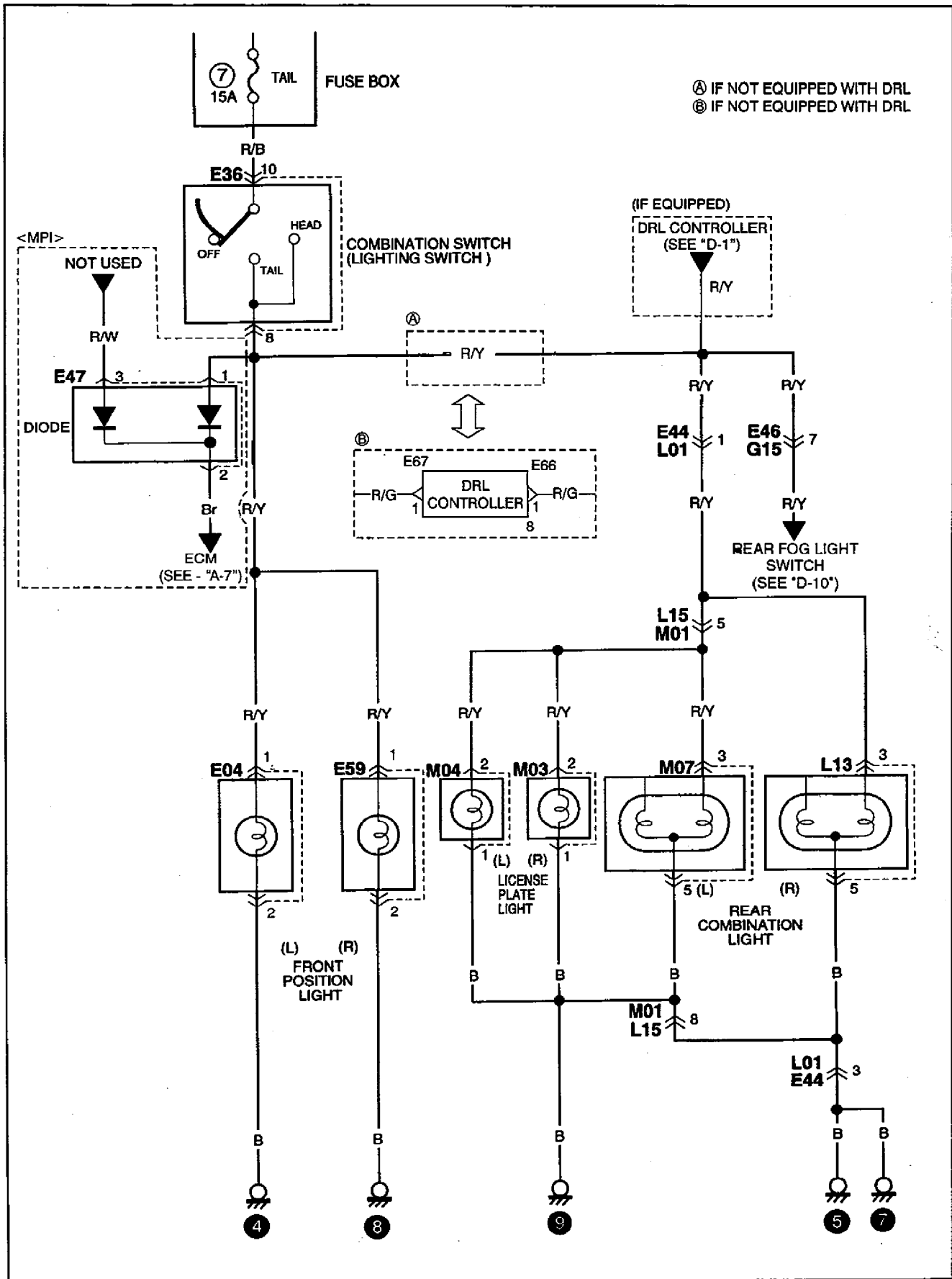




# D-2 HEADLIGHT SYSTEM (VEHICLE WITHOUT DRL)

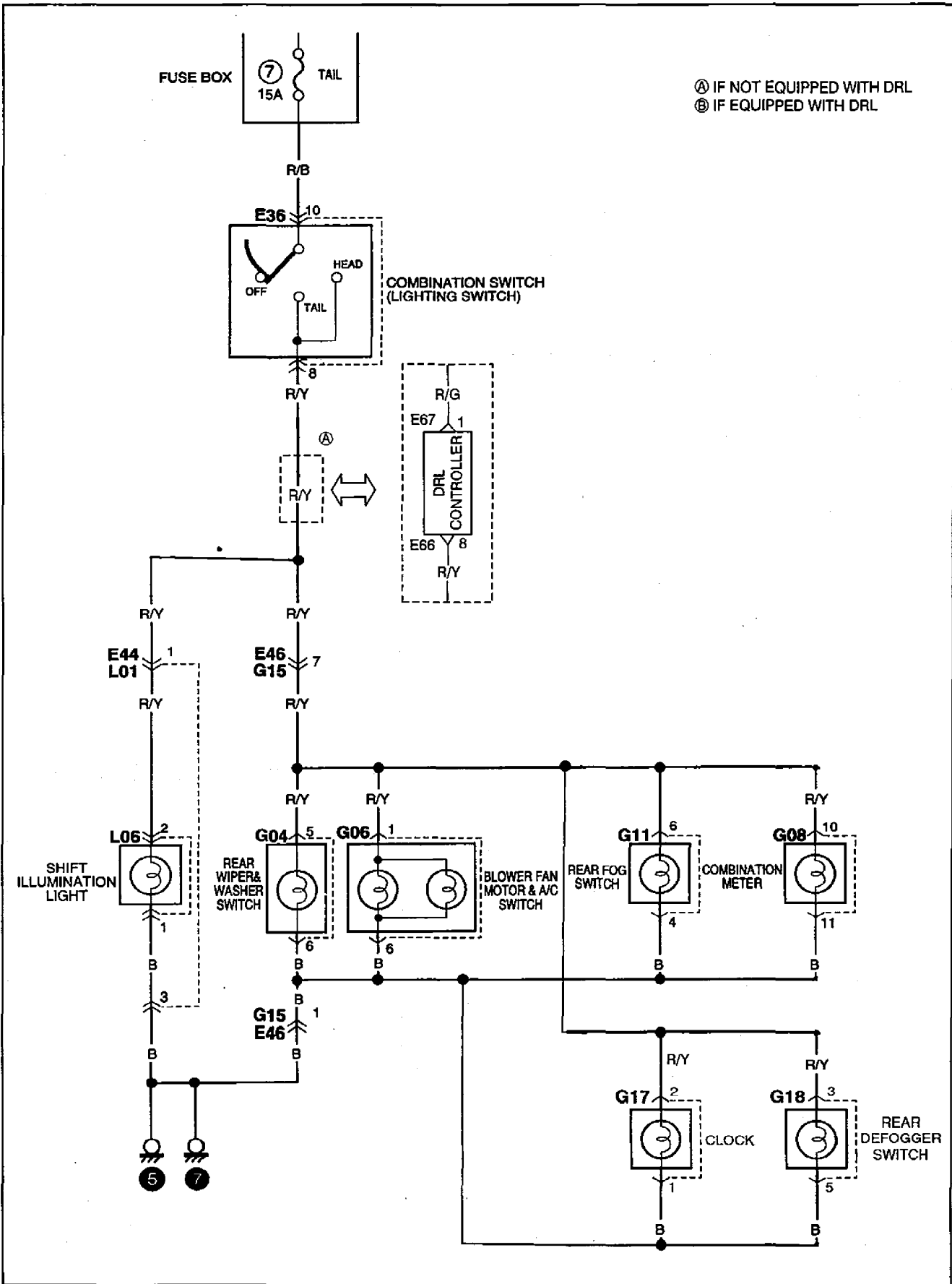


# D-3 POSITION, TAIL AND LICENSE PLATE LIGHT

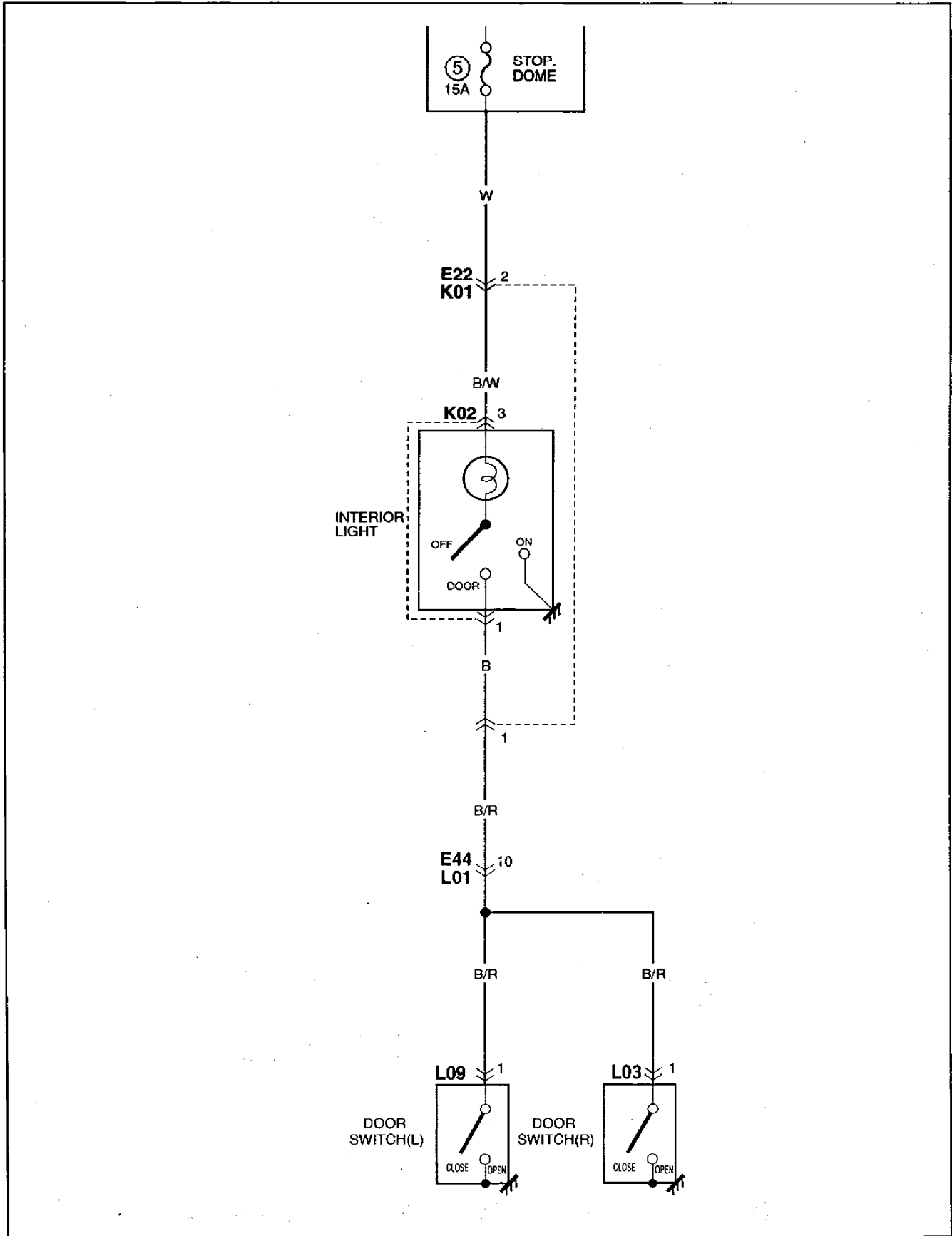




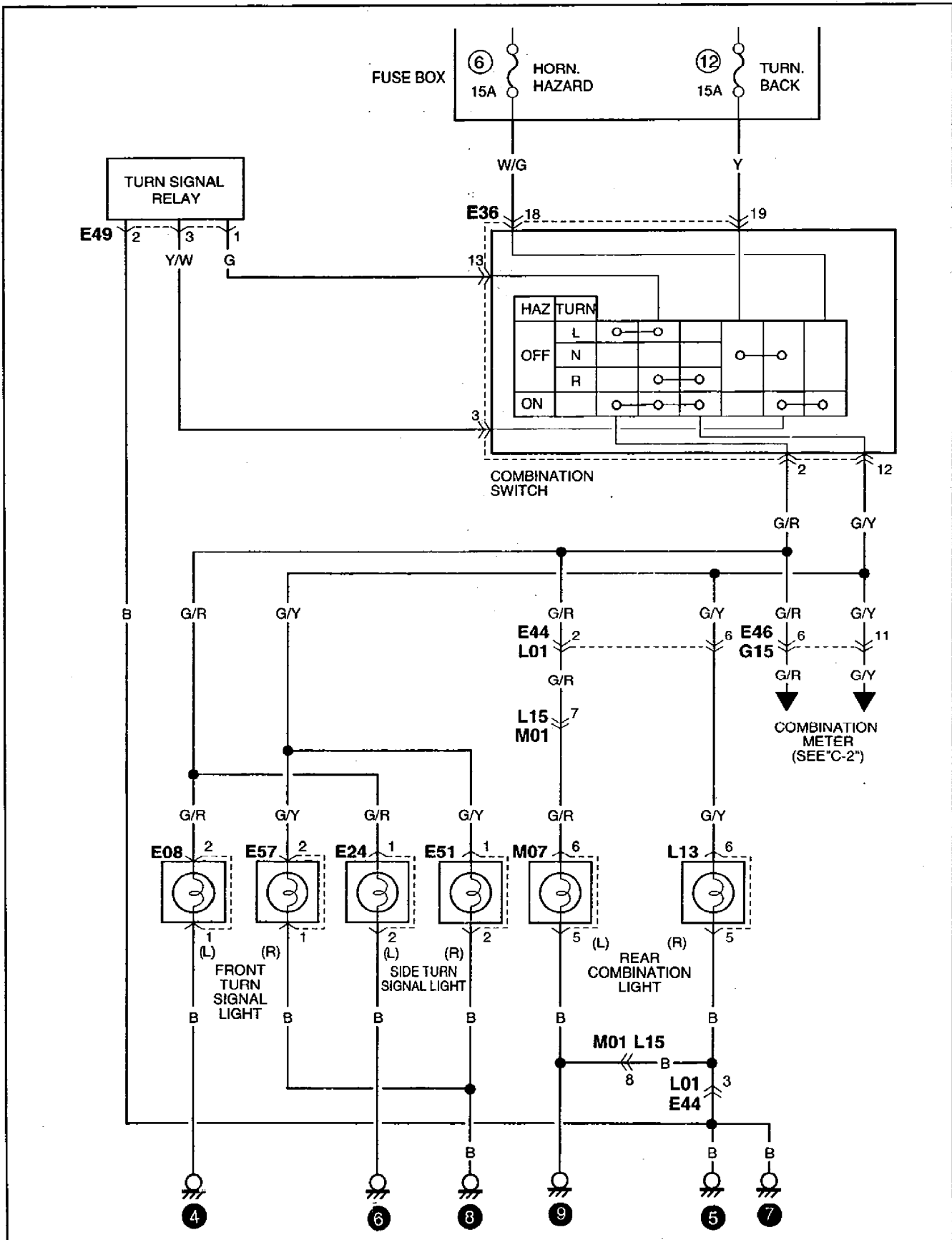
# D-4 ILLUMINATION LAMP



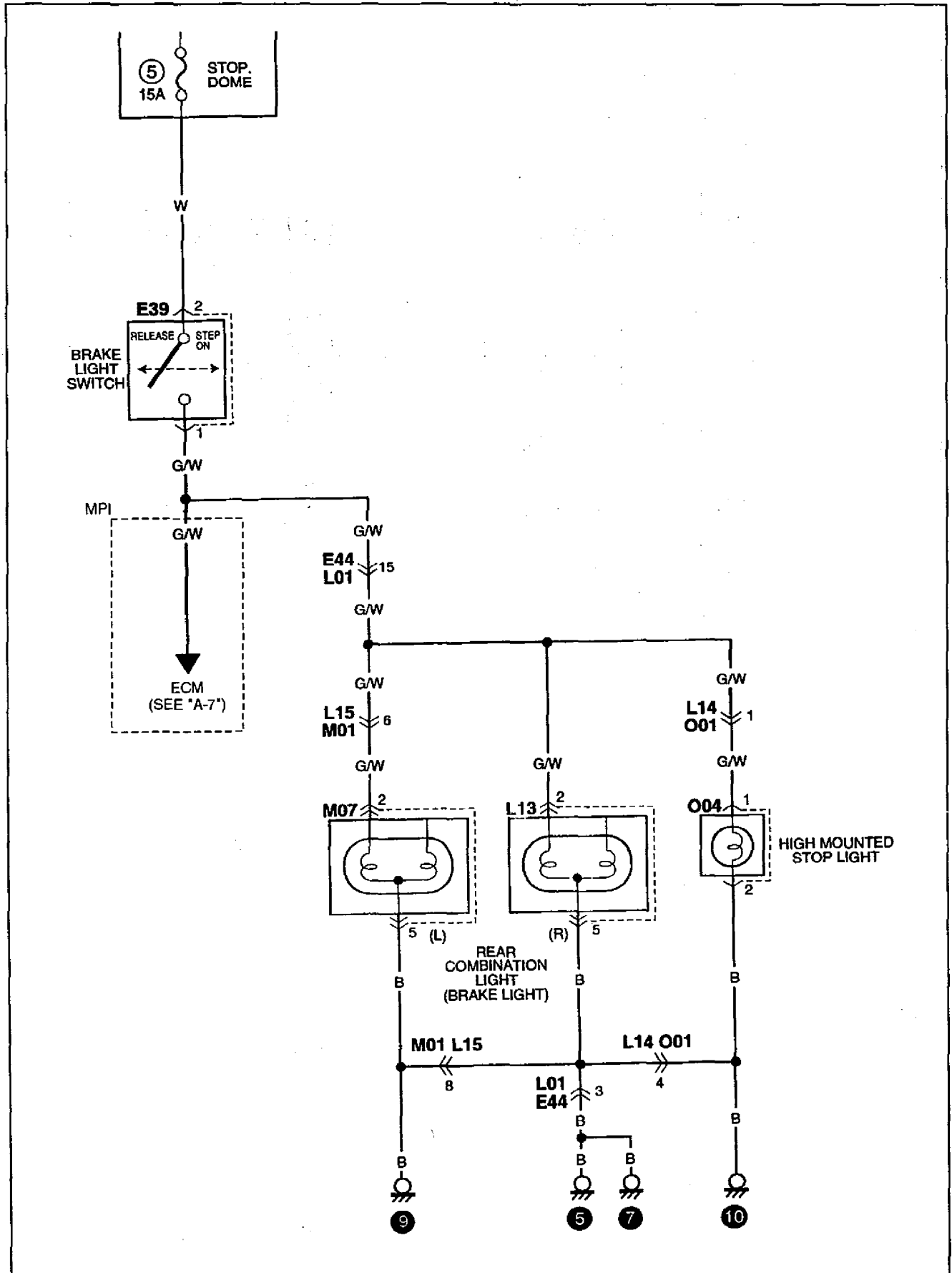
# D-5 ROOM LIGHT



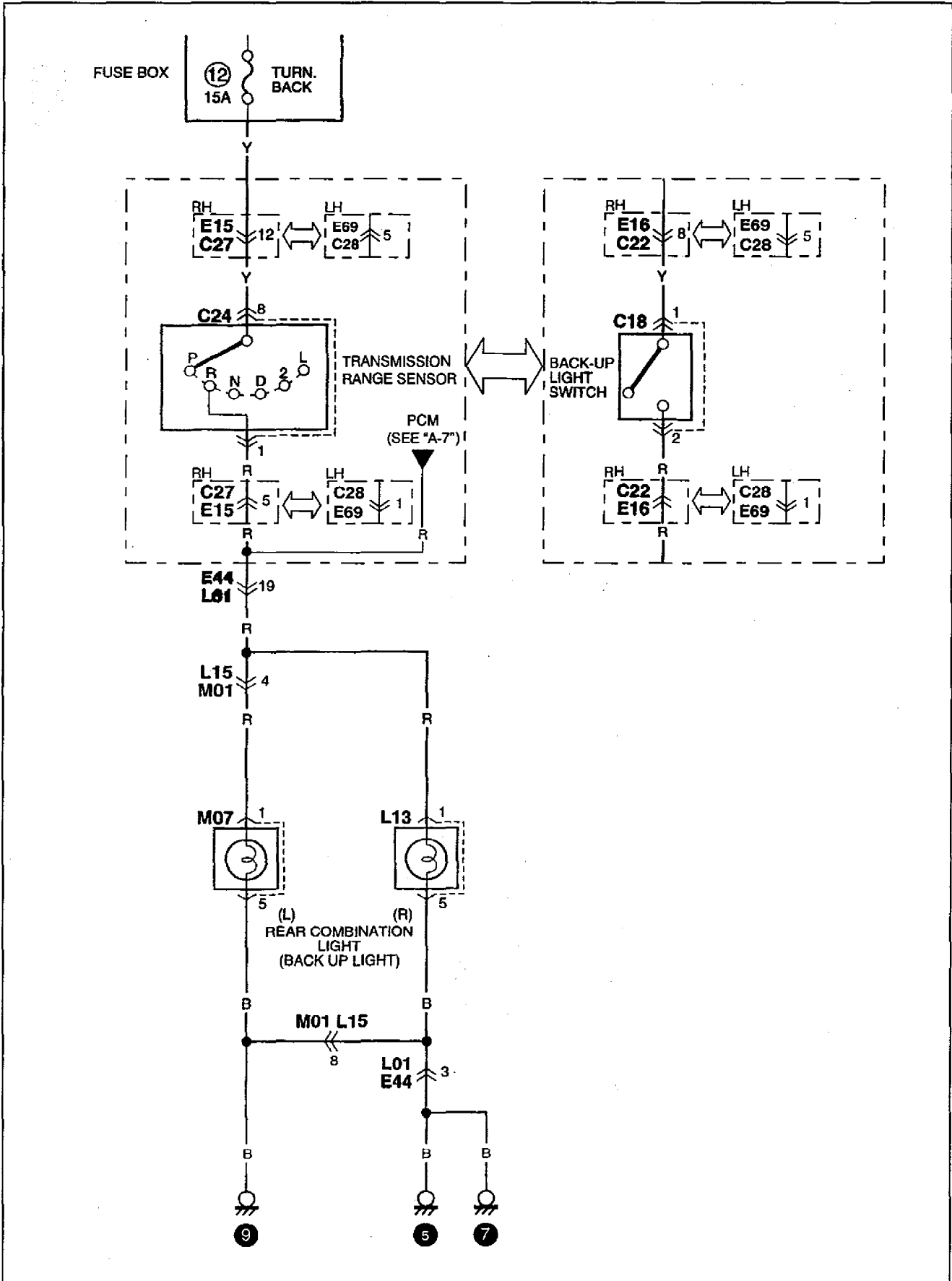
# D-6 TURN SIGNAL AND HAZARD WARNING LIGHT



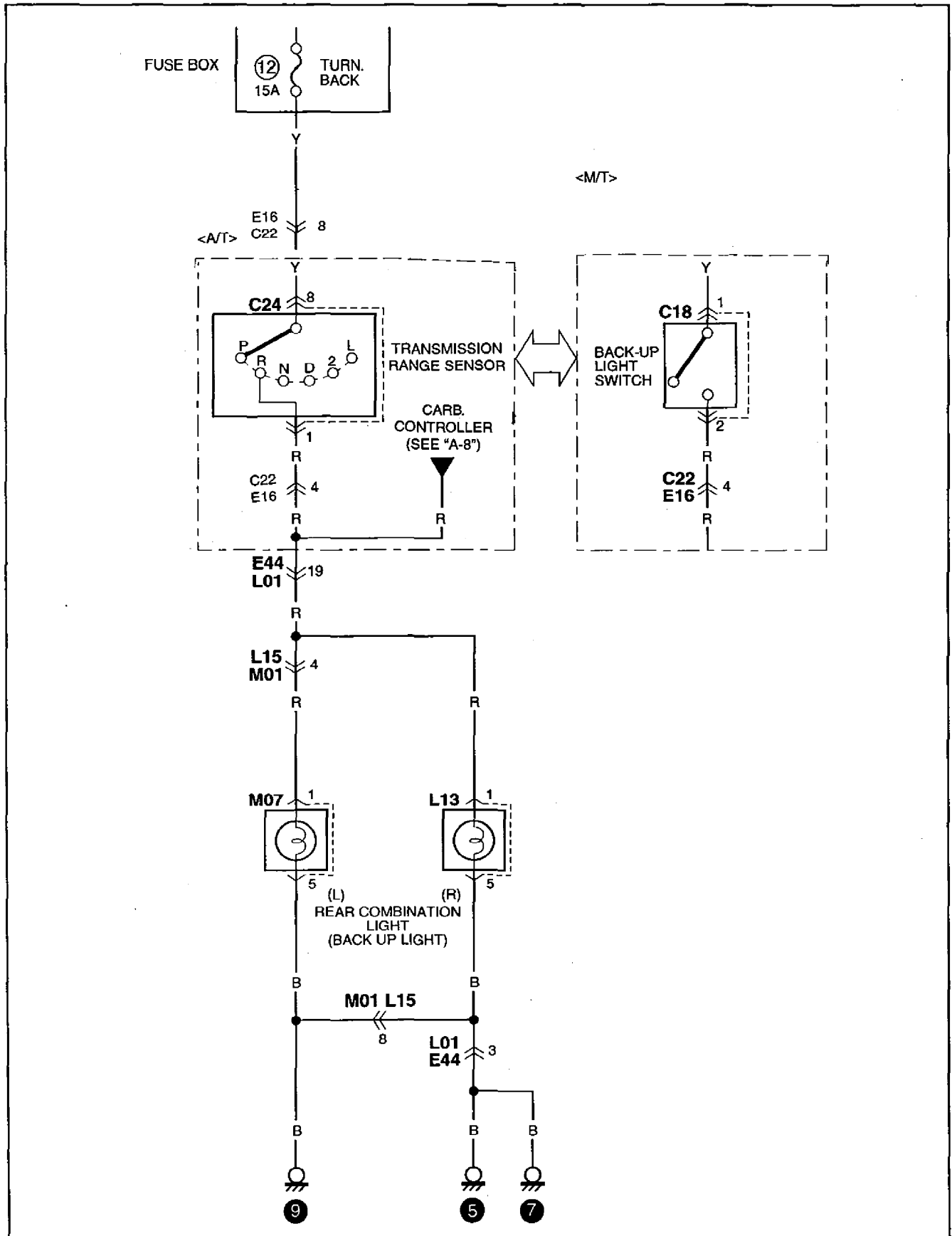
# D-7 BRAKE LIGHT



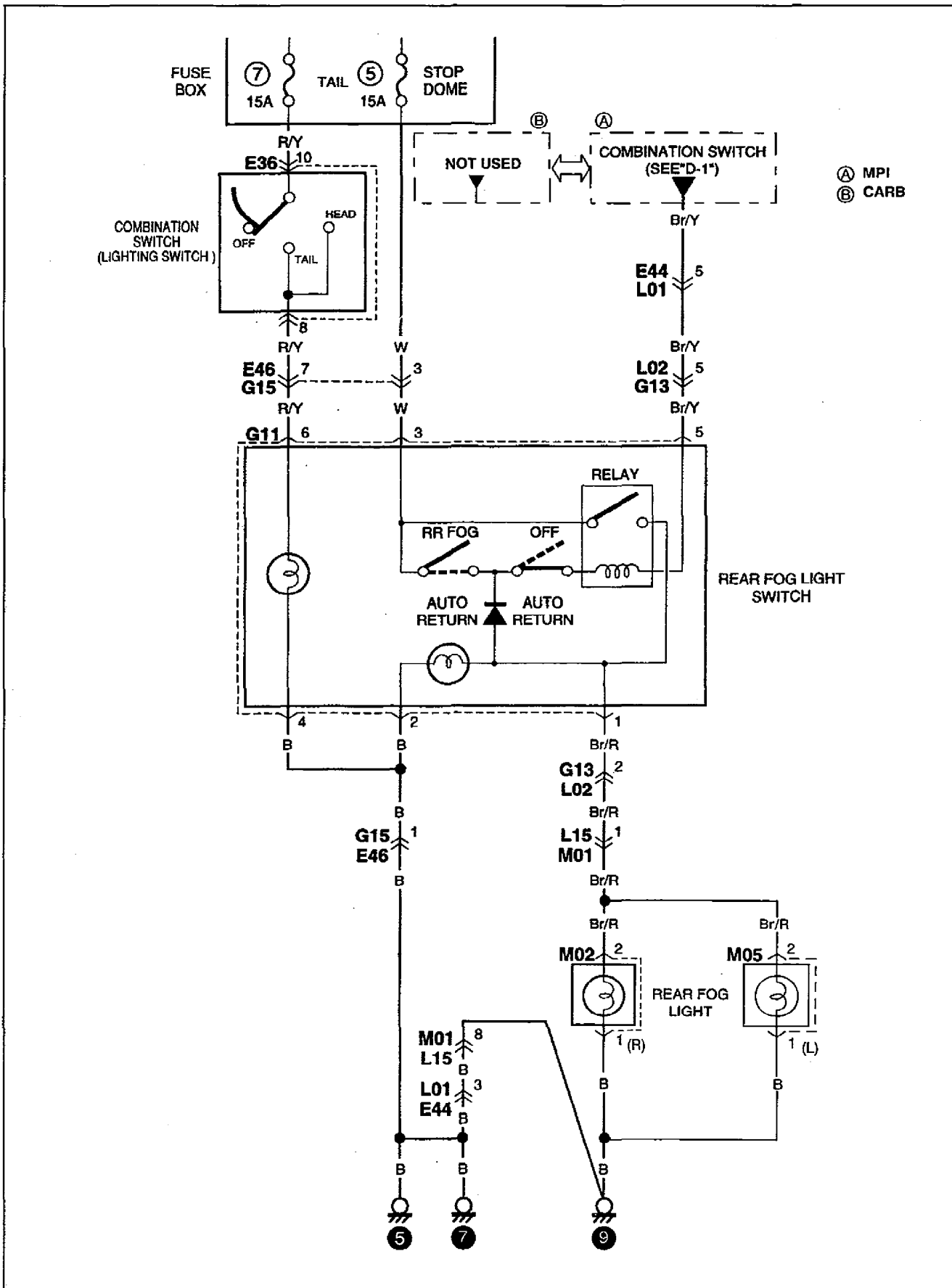
# D-8 BACK-UP (MPI)



# D-9 BACK-UP LIGHT (CARB)



# D-10 REAR FOG LIGHT

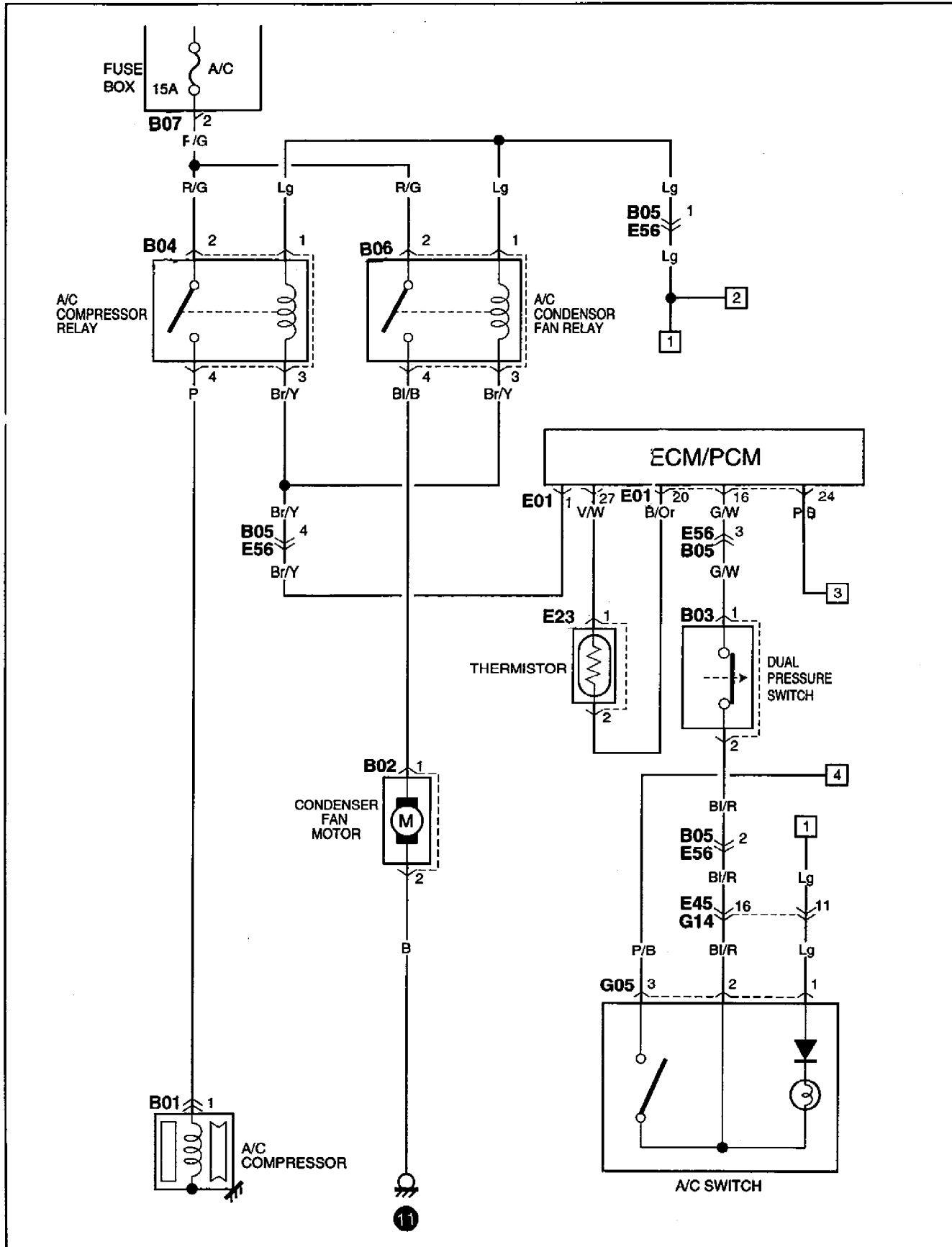


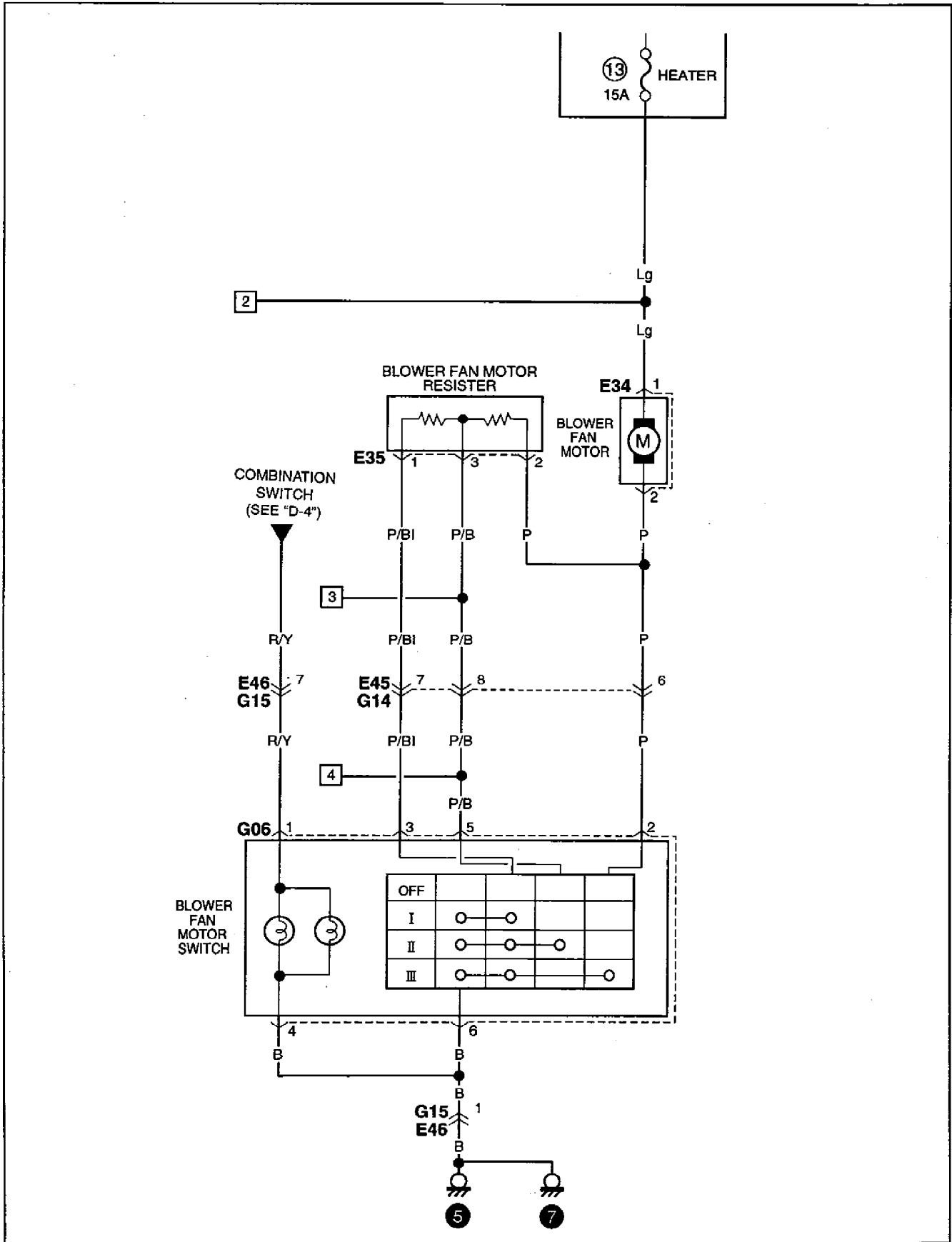
**MEMO**



8A-7-42 SYSTEM CIRCUIT DIAGRAM

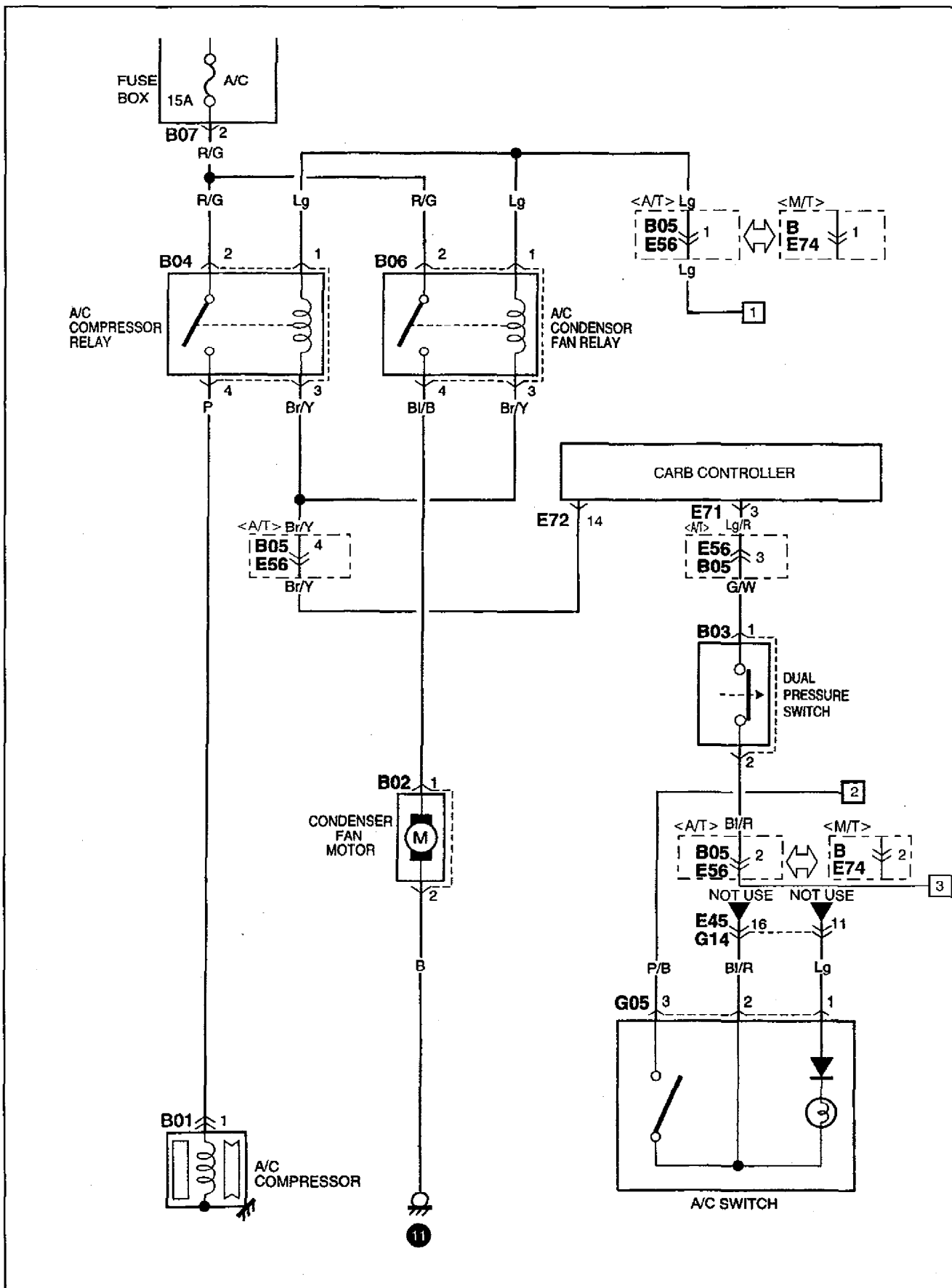
# E-1 HEATER SYSTEM (MPI)

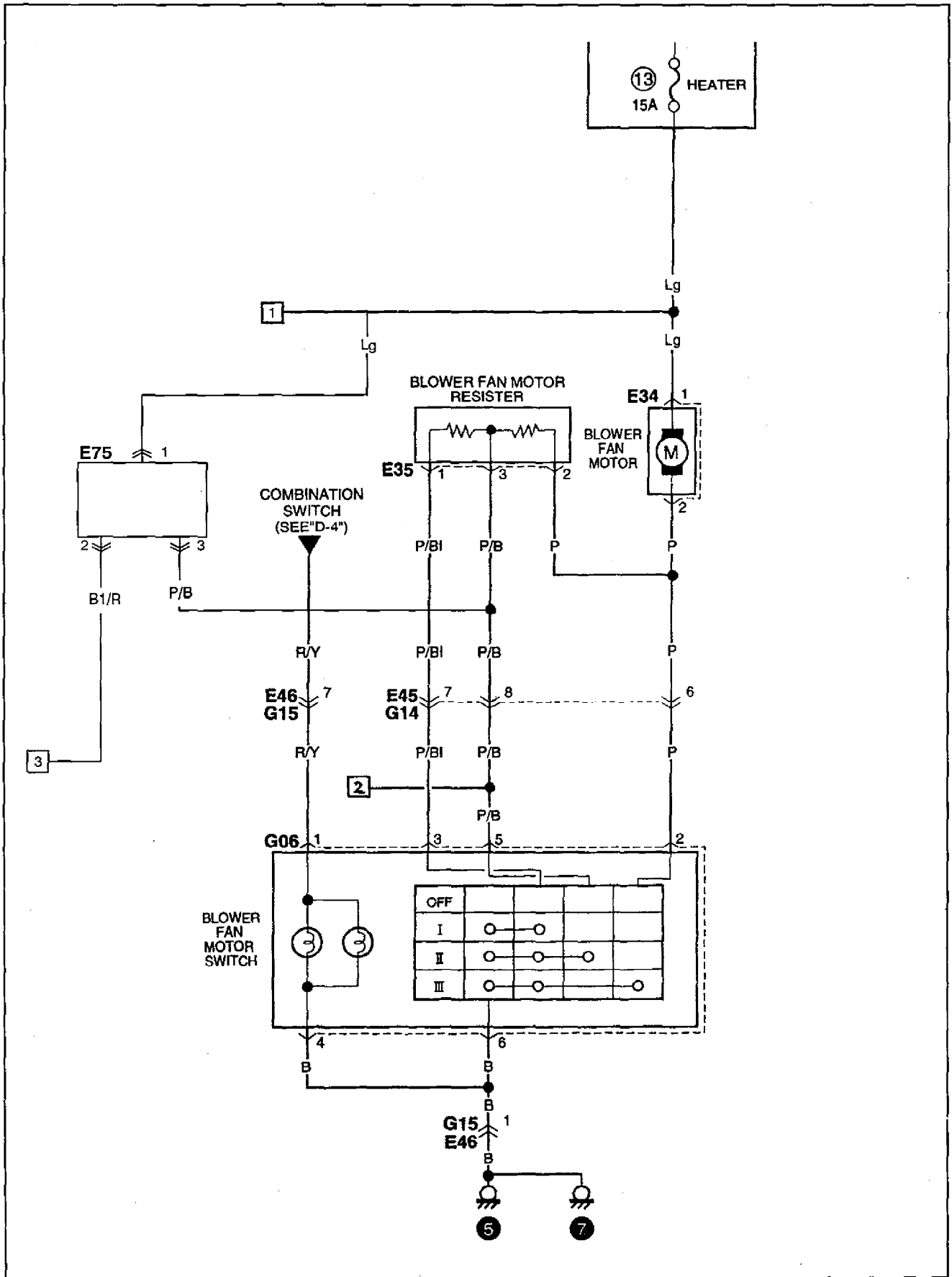




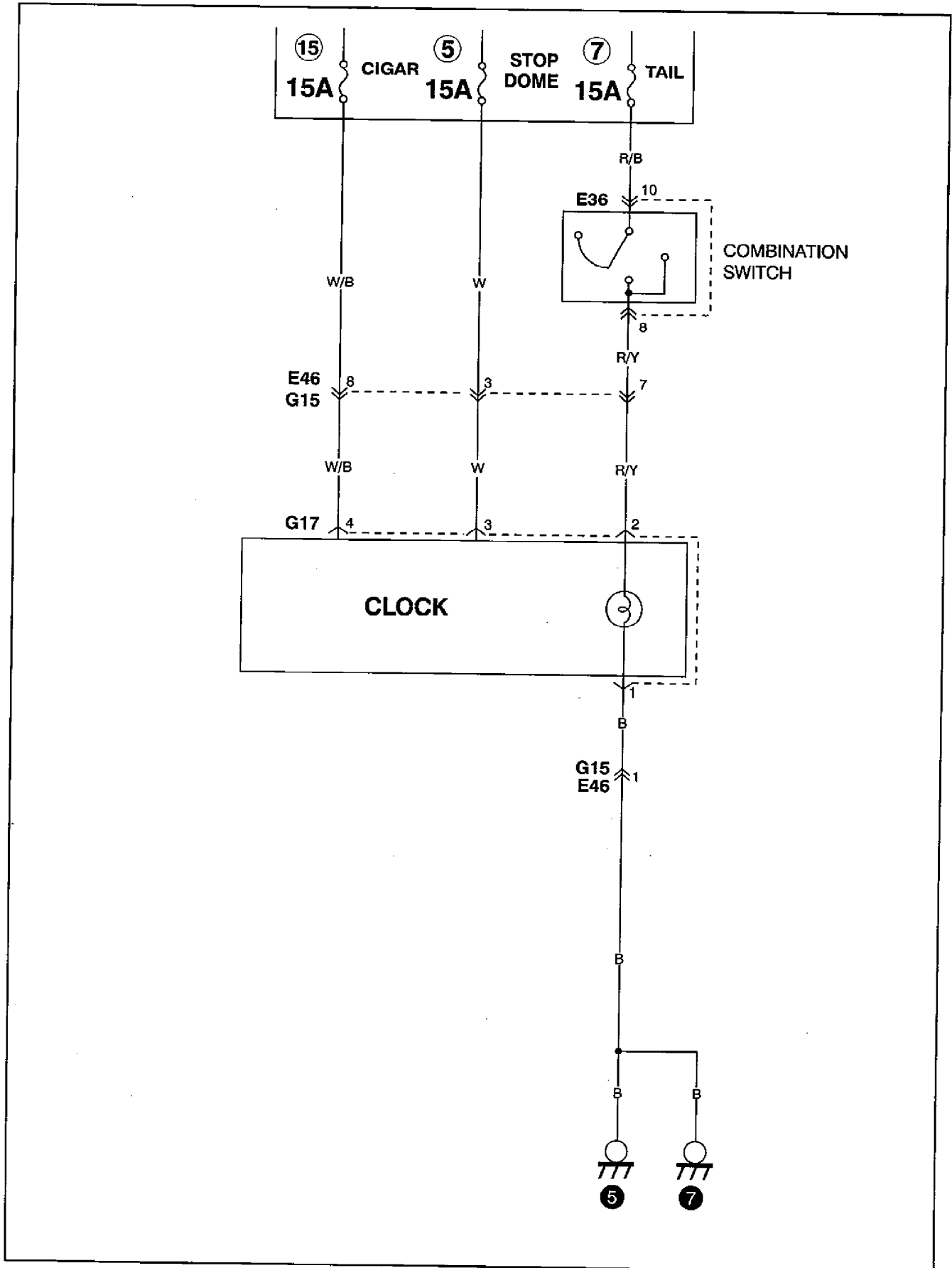
8A-7-44 SYSTEM CIRCUIT DIAGRAM

# E-2 HEATER SYSTEM (CARB)

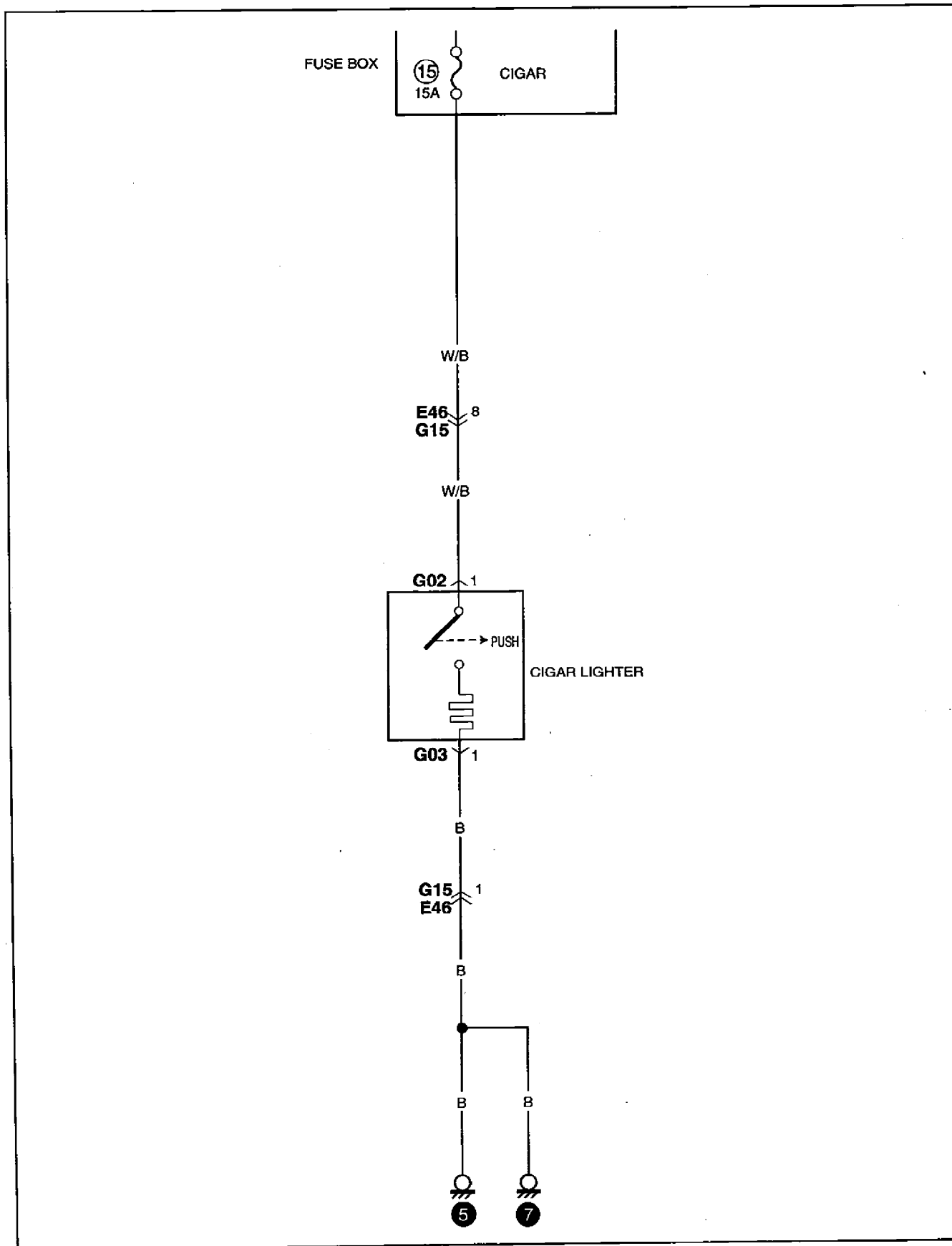




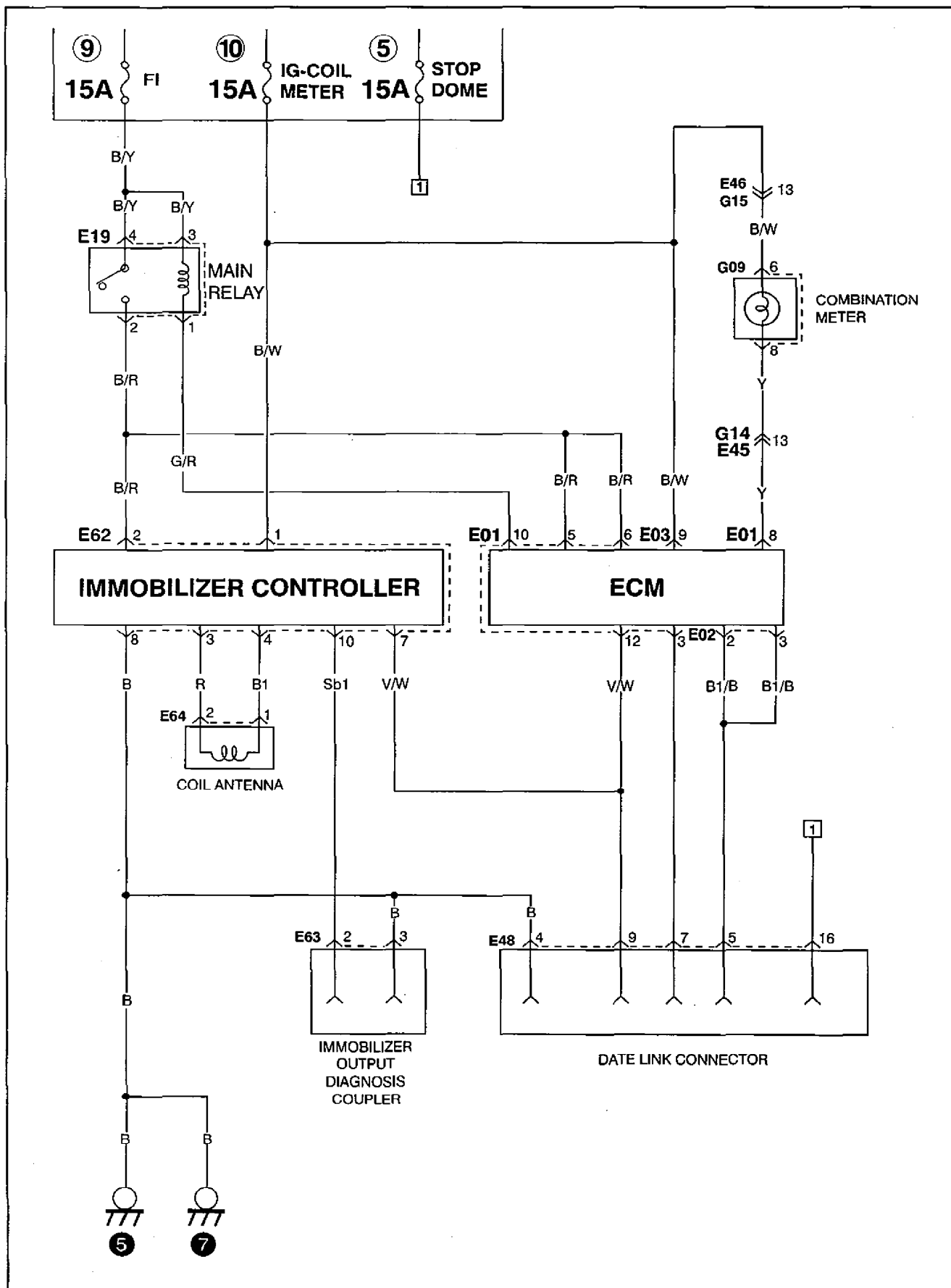
# G-1 CLOCK



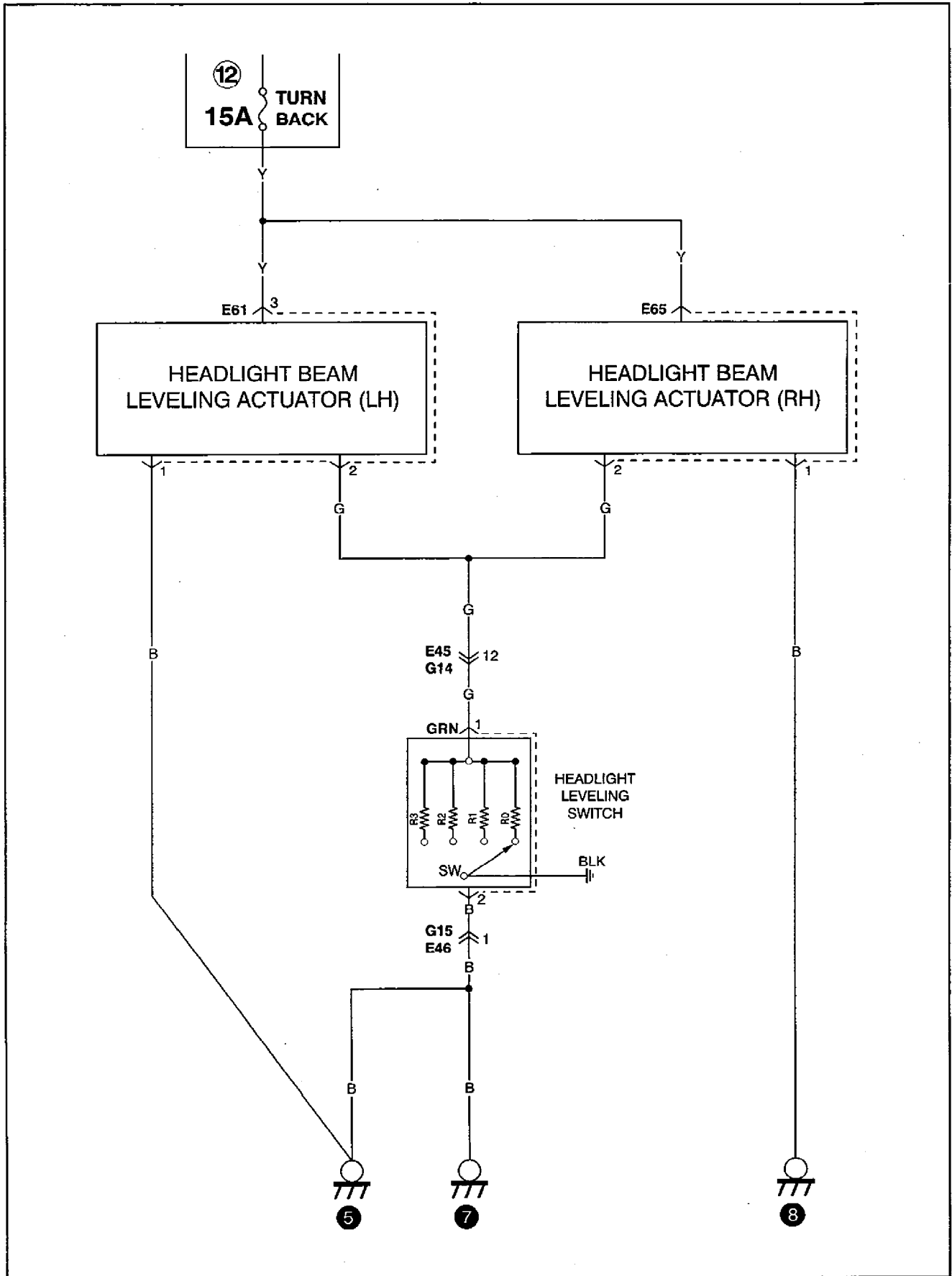
# G-2 CIGAR LIGHTER



# G-3 IMMOBILIZER CONTROL SYSTEM



# G-4 HEADLIGHT BEAM LEVELING SYSTEM







**SECTION 8A-8**

**LIST OF CONNECTORS**

**CONTENTS**

B: B01-B08 .....	8A-8-2
C: C01-C35 .....	8A-8-2
E: E01-E19 .....	8A-8-2
E20-E76 .....	8A-8-3
G: G01-G09 .....	8A-8-3
G10-G20 .....	8A-8-4
J: J01-J17 .....	8A-8-4
K: K01-K02 .....	8A-8-4
L: L01-L18 .....	8A-8-4
M: M01-M07 .....	8A-8-4
O: O01-O05 .....	8A-8-5



**B C E**

**LIST OF CONNECTORS**

<b>B</b>	B01	B02	B03	B04	B05 (TO E56)	B06	B07	B08			
	<b>C</b>	C01	C02	C03	C04	C05	C06	C07	C09	C10	C11
C12		C13	C14	C15	C17	C18	C19	C20 (TO E13)	C21 (TO E14)	C22 (TO E16)	
C23	C24	C25	C26 (TO E17)	C27 (TO E15)	C28 (TO E69)	C29	C30	C31	C32		
	C34	C35	C36								
<b>E</b>	E01	E02	E03	E04	E05	E07	E08				
E10	E11	E12	E13 (TO C20)	E14 (TO C21)	E15 (TO C27)	E16 (TO C22)	E17 (TO C26)	E18	E19		



**E G**

<b>E</b>	E20	E21	E22 (TO K01)	E23	E24	E25	E26 (TO J08)	E27 (TO J07)	E28	E29
	E30	E31	E32	E33	E34	E35	E36		E37	E39
	E41	E42	E43	E44 (TOL01)	E45 (TO G14)	E46 (TO G15)	E47	E48		E49
	E51	E52 (TO J01)	E53 (TO J02)	E54	E55	E56 (TO B05)	E57	E59	E60	E61
	E62	E63	E64	E65	E66	E67	E68	E69 (TO C28)	E70	E71
	E72		E73	E74	E75	E76				
	<b>G</b>	G01	G02	G03	G04	G05	G06	G08		G09



**G J K L M**

<b>G</b>	G11	G13 (TO L02)	G14 (TO E45)	G15 (TO E46)	G16	G17	G18	G19	G20	
<b>J</b>	J01 (TO E52)	J02 (TO E53)	J03	J04	J05	J06	J07 (TO E27)	J08 (TO E26)	J09	J10
<b>K</b>	J11	J12	J14 (TO L04)	J15	J16 (TO L10)	J17				
<b>L</b>	K01 (TO E22)	K02								
<b>M</b>	L01 (TO E44)	L02 (TO G13)	L03	L04 (TO J14)	L06	L07	L09	L10 (TO J16)	L11	L12
<b>M</b>	L13	L14 (TO O01)	L15 (TO M01)	L16	L17					
<b>M</b>	M01 (TO L15)	M02	M03	M04	M05	M06	M07			









Prepared by

**MARUTI UDYOG LIMITED**

Service Division

March, 2001

Part No. 99512M70F10-02E

Printed in India



**SUZUKI MOTOR CORPORATION**



# SH410

## WIRING DIAGRAM MANUAL

**SUZUKI**  
*Caring for Customers*

Part No. 99512M70F10-02E

March, 2001

ENG.

## FOREWORD

This manual has been prepared to help inspection and service works involving electric wiring of the following model be done efficiently.

### **Applicable model:SH410**

In order to make a good use of this manual, it is important to have a full understanding of its first section "HOW TO USE THIS MANUAL".

All the data and information contained in this manual are based on the vehicle of certain specifications. Therefore, please note that the actual vehicle being serviced may vary somewhat because of differences in specifications or statutory regulations.

All information, illustrations and specifications contained in this literature are based on the latest product information available at the time of publication approval. And used as the main subject of description is the vehicle of standard specifications among others. Therefore, note that illustrations may differ from the vehicle being actually serviced. SUZUKI MOTOR CORPORATION reserves the right to make changes at any time without notice.

For inspection and service works of electrical parts, following reference materials are also available for your help.

### **RELATED SERVICE MANUALS**

<b>SH410 Euro-3 .....</b>	<b>99500M70F01-01E</b>
<b>SH410 .....</b>	<b>99500M70F00-01E</b>
<b>SUPPLEMENTARY SERVICE MANUAL .....</b>	<b>99510M70F01-01E</b>

**MARUTI UDYOG LIMITED**  
*SERVICE DIVISION*

**SUZUKI MOTOR CORPORATION**  
*TECHNICAL DEPARTMENT*  
*AUTOMOBILE SERVICE DIVISION*





<b>TABLE OF CONTENTS</b>	<b>SECTION</b>
<b>HOW TO USE THIS MANUAL</b>	<b>8A-1</b>
<b>CONNECTOR LAYOUT DIAGRAM</b>	<b>8A-3</b>
<b>INSTALLATION POSITIONS OF SINGLE UNIT PARTS</b>	<b>8A-4</b>
<b>GROUND POINT</b>	<b>8A-5</b>
<b>POWER SUPPLY DIAGRAM</b>	<b>8A-6</b>
<b>SYSTEM CIRCUIT DIAGRAM</b>	<b>8A-7</b>
<b>LIST OF CONNECTORS</b>	<b>8A-8</b>



**SECTION 8A-1**

**8A-1**

**HOW TO USE THIS MANUAL**

**CONTENTS**

Manual Contents and Description .....	8A-1-2
Applicability .....	8A-1-2
Cautions in Servicing .....	8A-1-3
Symbols and Marks .....	8A-1-6
Abbreviations .....	8A-1-7
Wire Color Symbols .....	8A-1-7
How to Read Connector Layout Diagram (SECTION 8A-3) .....	8A-1-8
Indication of Connectors and How to Read them .....	8A-1-9
How to Read Installation Positions of Single Unit Parts (SECTION 8A-4) .....	8A-1-11
How to Read Ground Point (SECTION 8A-5) .....	8A-1-12
How to Read Power Supply Diagram (SECTION 8A-6) .....	8A-1-13
How to Read System Circuit Diagram (SECTION 8A-7) .....	8A-1-14
How to Read List of Connectors (SECTION 8A-8) .....	8A-1-16

## MANUAL CONTENTS AND DESCRIPTION

This manual consists of diagrams showing the harness routing, connector layout, installation positions of single unit parts (fuse, relay, control unit), ground points, power circuit, system circuit and list of connectors.

SECTION		DESCRIPTION
Connector Layout Diagram	8A-3	Arrangement of connectors used in this vehicle is shown in relation with the wiring harness by using symbols in illustration.
Installation Positions of Single Unit Parts	8A-4	Positions where each fuse, relay and control unit are installed in this vehicle are shown.
Ground Point	8A-5	Points on the body where grounding is made are shown.
Power Supply Diagram	8A-6	Electric flow passage from the positive terminal of the battery to the main fuse and each fuse in the fuse box are shown and names of main systems that apply a load to each fuse are indicated.
System Circuit Diagram	8A-7	Individual circuit from the fuse to the ground of each system is shown. The circuit diagram is designed so as to show the electric flow from the top to the bottom in it.
List of Connectors	8A-8	Shapes of connectors used in this vehicle and arrangements of their pins are shown.

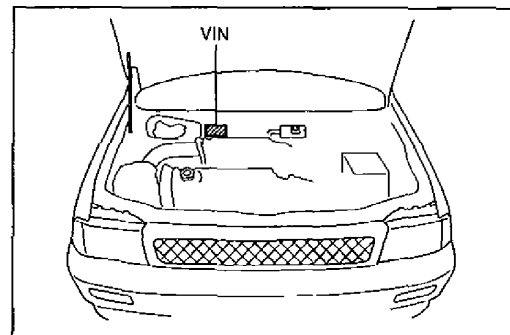
## APPLICABILITY

This manual is applicable to the vehicles listed below.

**NOTE:**

**Bear in mind that description in the text may vary from the actual vehicle depending on specifications.**

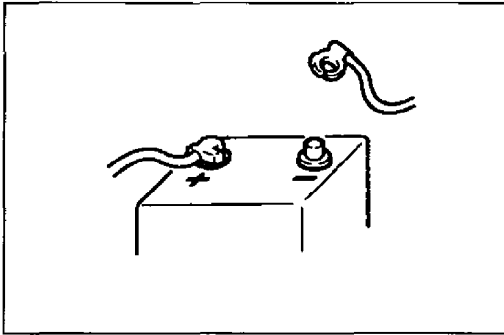
MODEL  
SH410



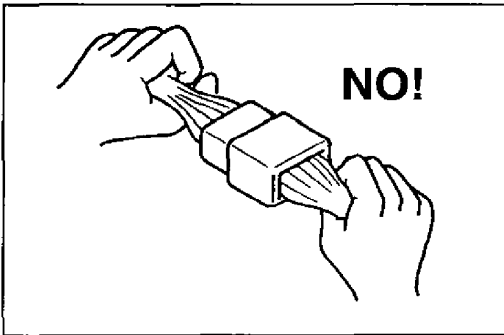
VIN: Vehicle Identification Number

## CAUTIONS IN SERVICING

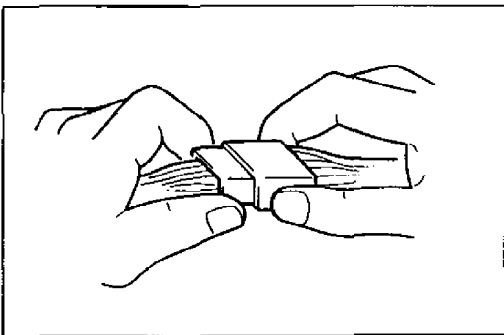
When performing works related to electric systems, observe following cautions for the purpose of protection of electrical parts and prevention of a fire from occurrence.



- When removing the battery from the vehicle or disconnecting the cable from the battery terminals for inspection or service works on the electric systems, always confirm first that the ignition switch and all the other switches have been turned OFF. Otherwise, the semi-conductor part may be damaged.
- When disconnecting cables from the battery, be sure to disconnect the one from the negative (-) terminal first and then the other from the positive (+) terminal.
- Reverse the above order when connecting the cables to the battery terminals.



- When disconnecting connectors, never pull the wiring harnesses. Unlock the connector lock first and then pull them apart by holding connectors themselves.



- When connecting connectors, also hold connectors and put them together until they lock securely (a click is heard).

## SYMBOLS AND MARKS

In the diagrams of this manual, each equipments are represented by the symbols and marks as shown below.

Battery	Ground		Normal Fuse	Slow blow fuse
Circuit breaker	Coil, Solenoid	Heater	Bulb	
Cigarette lighter	Motor	Pump	Horn	Speaker
Buzzer	Chime	Condenser	Thermistor	Reed switch
Resistance	Variable resistance		Transistor	
Photo transistor	Diode	Reference (zener) diode	Light emitting diode	Photo diode
Piezoelectric element	Harness		Relay	
	(Connected)	(Not connected)	Normal open relay	Normal closed relay
Connector	Switch		"O" Type terminal	

## ABBREVIATIONS

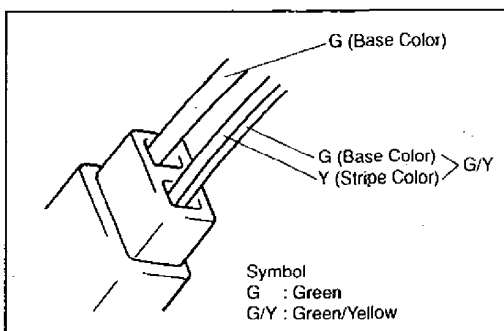
Listed below are the abbreviations as used in this manual and their full terms.

Abbreviation	Full term	Abbreviation	Full term
2WD	2 wheel drive vehicles	ILL	Illumination
4WD	4 wheel drive vehicles	PCM	Power train control module
A/C	Air conditioning	J/C	Joint connector
A/T	Automatic transmission	LH (D)	Left hand (drive vehicle)
ACC	Accessory	LO	Low
CKP	Crank shaft position	MAP	Manifold absolute pressure
CMP	Camshaft position	M/T	Manual transmission
DLC	Data link connector	P/N	Power/Normal
DRL	Daytime running light (If equipped)	RH (D)	Right hand (drive vehicle)
ECT	Engine coolant temperature	ECM	Engine control module
EGR	Exhaust gas recirculation	TCC	Torque converter clutch
HI	High	W/S	Weld splice
IAC	Idle air control	P/S	Power steering
IAT	Intake air temperature	INT	Intermittent
TCM	Transmission control module	O/D	Over drive
IG	Ignition	VSV	Vacuum switching valve

Symbol	Wire core	Symbol	Wire core
B	Black	Or	Orange
Bl	Blue	R	Red
Br	Brown	W	White
G	Green	Y	Yellow
Gr	Gray	P	Pink
Lbl	Light Blue	V	Violet
Lg	Light Green		

## WIRE COLOR SYMBOLS

The initial alphabet (s) of the color name is used to represent each color as listed at the left.



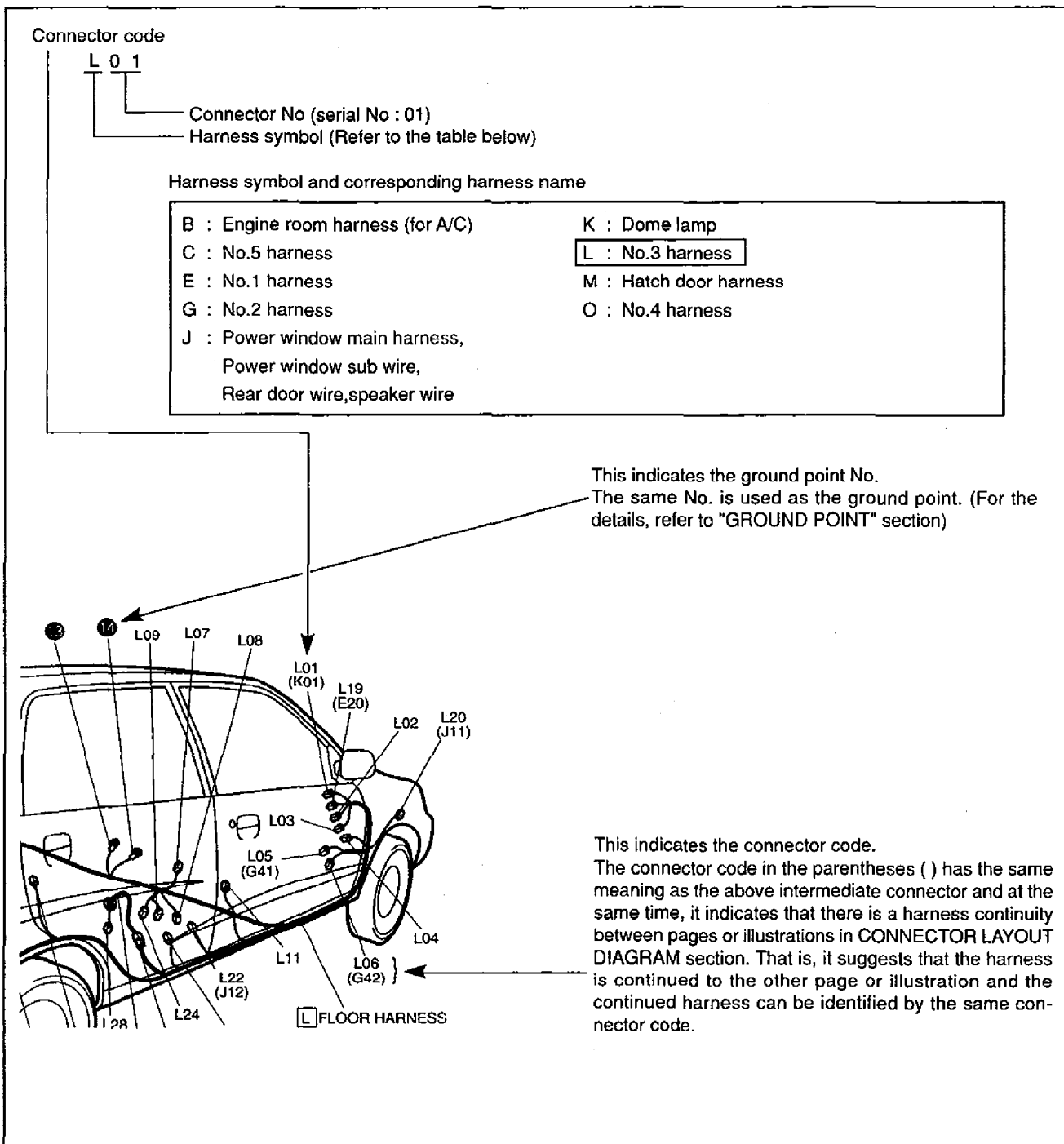
There are two types of wire color : one-color type and 2-color type (with a stripe). In case of 2-color type, the first alphabet ("G" of the example in the figure at the left) represents the basic color (color of wire insulation) and the next alphabet ("Y" of the example) represents the color of stripe.

## HOW TO READ CONNECTOR LAYOUT DIAGRAM

When necessary to know the location of an electrical part or an intermediate connector, it is easily possible to retrieve it by this diagram.

First consult "SYSTEM CIRCUIT DIAGRAM" section or connector table at the right hand pages of this section for the questioned connector code. Second refer to the diagrams of this section and look for the same code.

More information on use of the code is illustrated below.

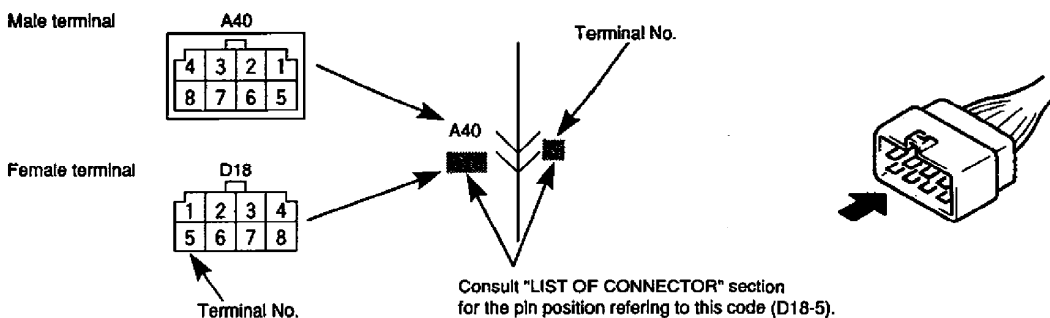




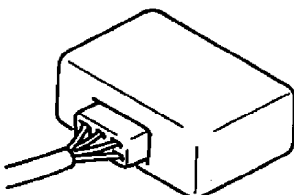
## INDICATION OF CONNECTORS AND HOW TO READ THEM

The connectors are indicated as shown below in "SYSTEM CIRCUIT DIAGRAM" section. For the shape and pin arrangement of each connector used in this manual, refer to "LIST OF CONNECTORS" section. Described below are how they are indicated and how to read them.

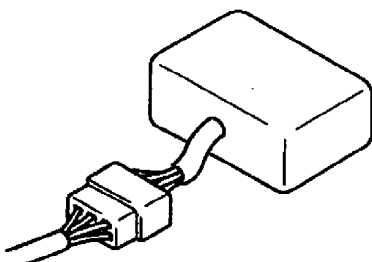
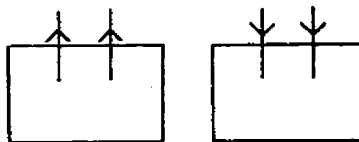
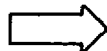
- The male terminal and female terminal are identified by a double enclosure and a single one respectively.  
• The intermediate connector which connects harnesses is shown by both shapes of the male terminal and the female terminal but the connector to be connected directly to the equipment is shown by the shape of the connector on the harness side.  
• The connectors described in this manual are always "harness side connectors" which are viewed from the direction as shown at the right..



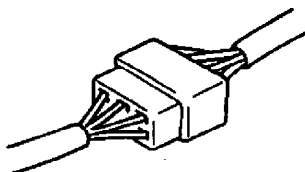
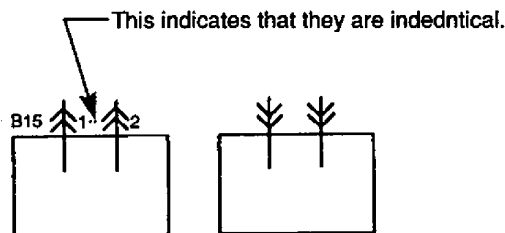
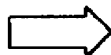
- There are three types of connectors with respect to the way it is connected and each type is illustrated as shown below.



• To be inserted directly into equipment



• To be connected with harness connector of equipment

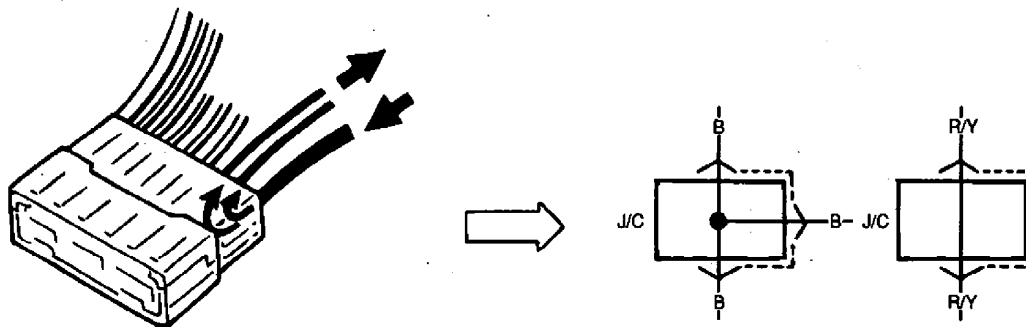


• To connect between harnesses (intermediate connector)



8A-1-10 HOW TO USE THIS MANUAL

- 3. Joint connectors (if equipped) divide one wire into several different wires or combine several different wires into one wire.
- The joint connector is illustrated below.



How to Read Connector Codes and Pin Nos. (How to Use Manual) :

It is possible to retrieve the location and shape of each connector from the connector code indicated in "SYSTEM CIRCUITDIAGRAM" section and the position of each pin from the connector pin No.

\*To retrieve location of connector :

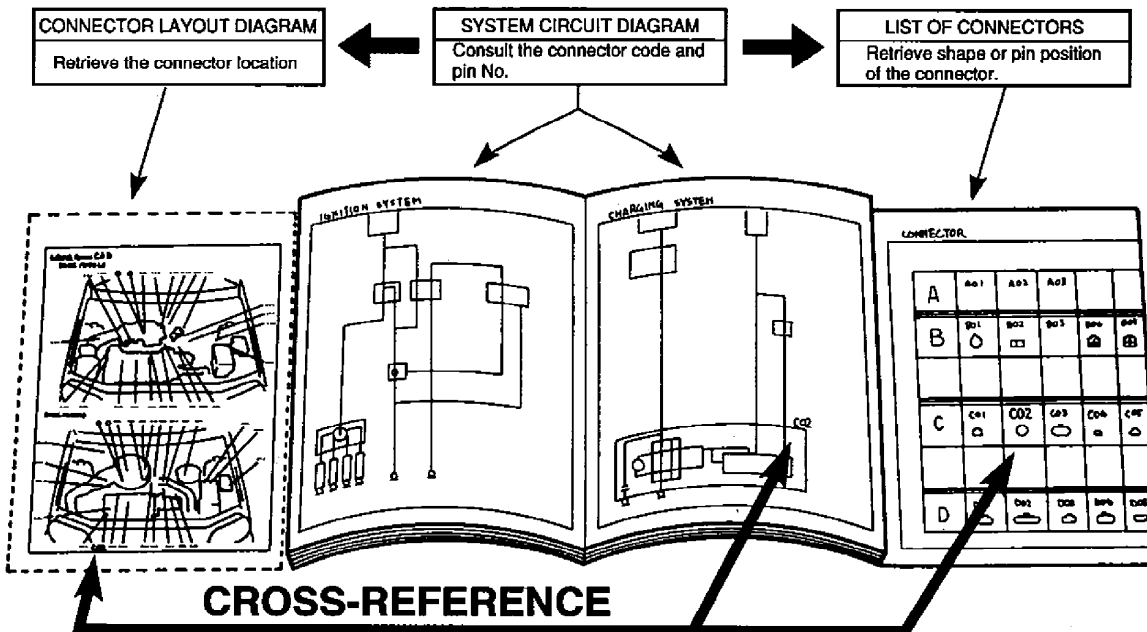
Open "SYSTEM CIRCUIT DIAGRAM" section to consult the connector code of the questioned connector. Then, refer to "CONNECTOR LAYOUT DIAGRAM" section and look for the same code as the connector code in question. The place where the code is found is the location of that connector.

\*To retrieve shape or pin No.

Open "SYSTEM CIRCUIT DIAGRAM" section to consult the connector code and pin No. of the questioned connector. Then, refer to "LIST OF CONNECTORS" section as shown at the right in the figure below and look for the desired connector code under which the shape of that connector is shown. This method is convenient when locating the connector in question among similar connectors. Also, by using this page, it is possible to find the position of each pin from the connector pin No. provided in "SYSTEM CIRCUIT DIAGRAM" section.

It is helpful when retrieving pin position in the connector for checking continuity between pins.

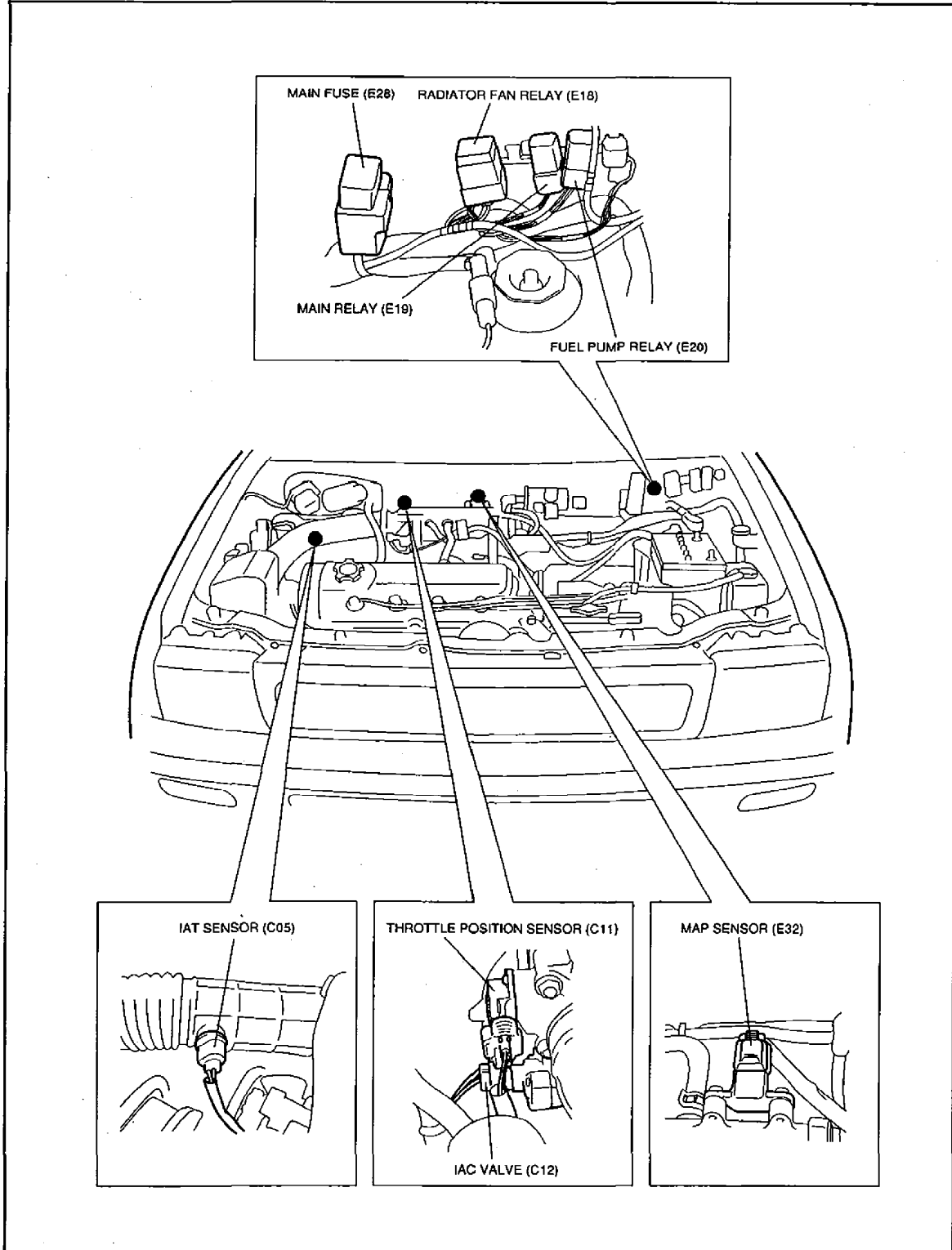
To know the location, shape or pin position of the connector, cross-refer between "SYSTEM CIRCUIT DIAGRAM", "CONNECTOR LAYOUT DIAGRAM" and "LIST OF CONNECTOR" section as follows:



## HOW TO READ INSTALLATION POSITION OF SINGLE UNIT PARTS

The diagram in "INSTALLATION POSITION OF SINGLE UNIT PARTS" section shows installation positions of fuse, relays and control units used in this vehicle. They are illustrated as shown below.

### ENGINE ROOM



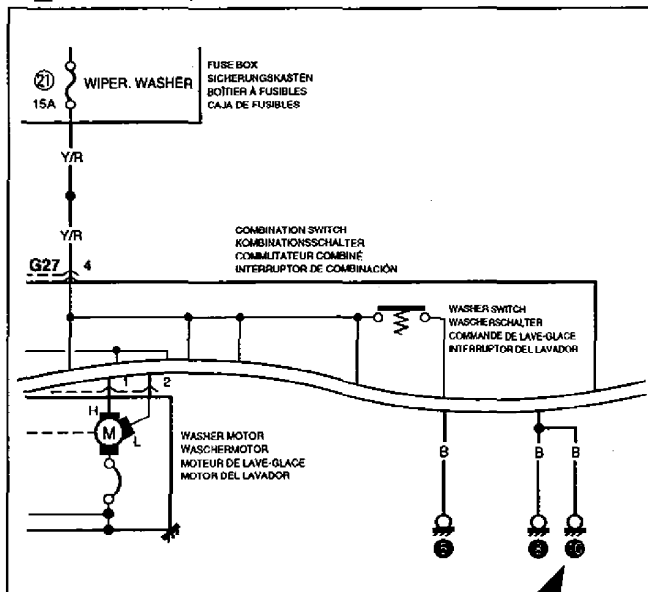
# HOW TO READ GROUND POINT

Ground point means the position where the negative harness among wiring harnesses is grounded. The diagram in "GROUND POINT" section shows such ground points. In "SYSTEM CIRCUIT DIAGRAM" section, there are many ground marks followed by black circles with numerical figures in them ( 10 ) which mean that the end of the harness with such black circle is grounded to some part of the vehicle.

To locate the ground point (installation position), refer to "GROUND POINT" section.

## "SYSTEM CIRCUIT DIAGRAM" section

### FRONT WIPER & WASHER



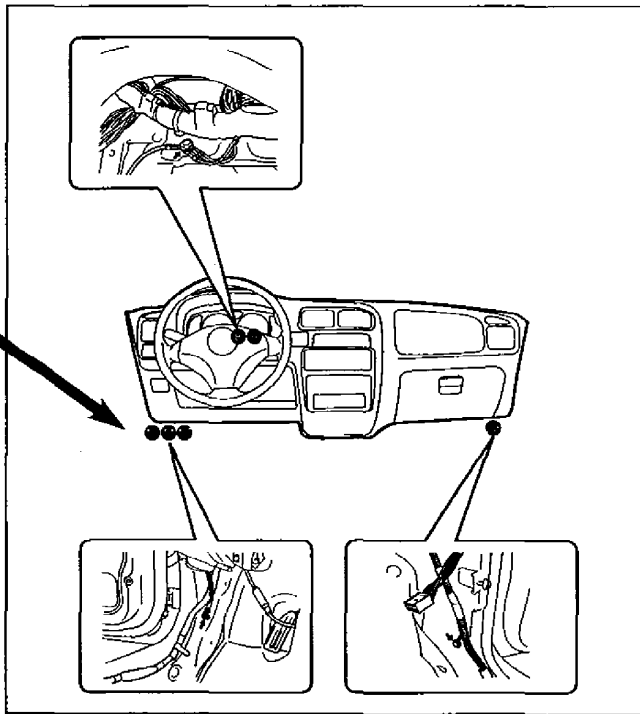
[How to locate ground point]

Look in "GROUND POINT" section for the black circle with the same numerical figure ( 10 ) as the described one in "SYSTEM CIRCUIT DIAGRAM" section.

NOTE:

If there is an electrical part whose ground point is not found in "GROUND POINT" section, that part itself serves as a ground.

## "GROUND POINT" section

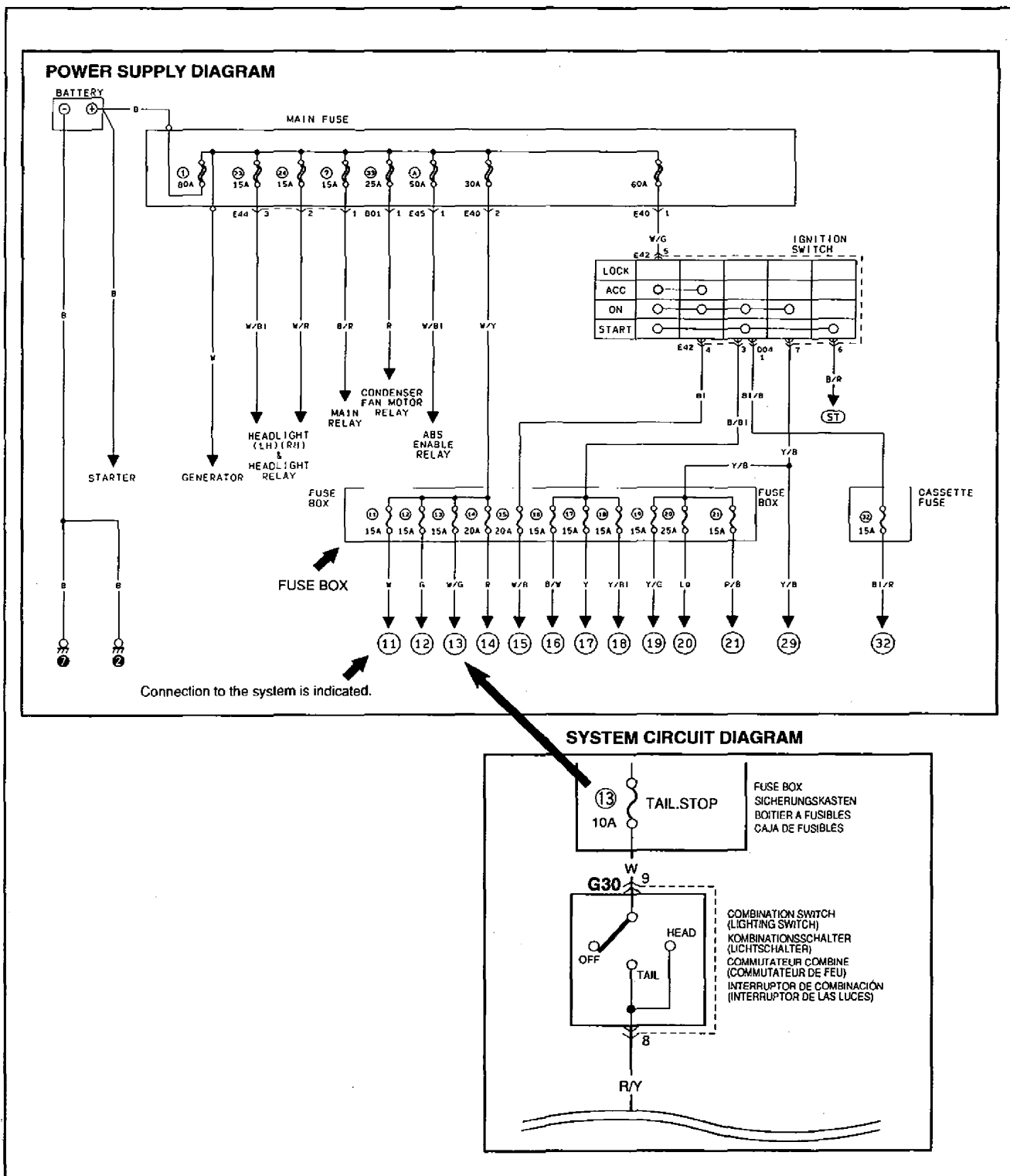


## CROSS-REFERENCE

# HOW TO READ POWER SUPPLY DIAGRAM

Power Supply Diagram shows the circuit from the positive terminal of the battery to each fuse in the box and where each fuse is connected (each system circuit name). In addition, the electric load value of each fuse is indicated.

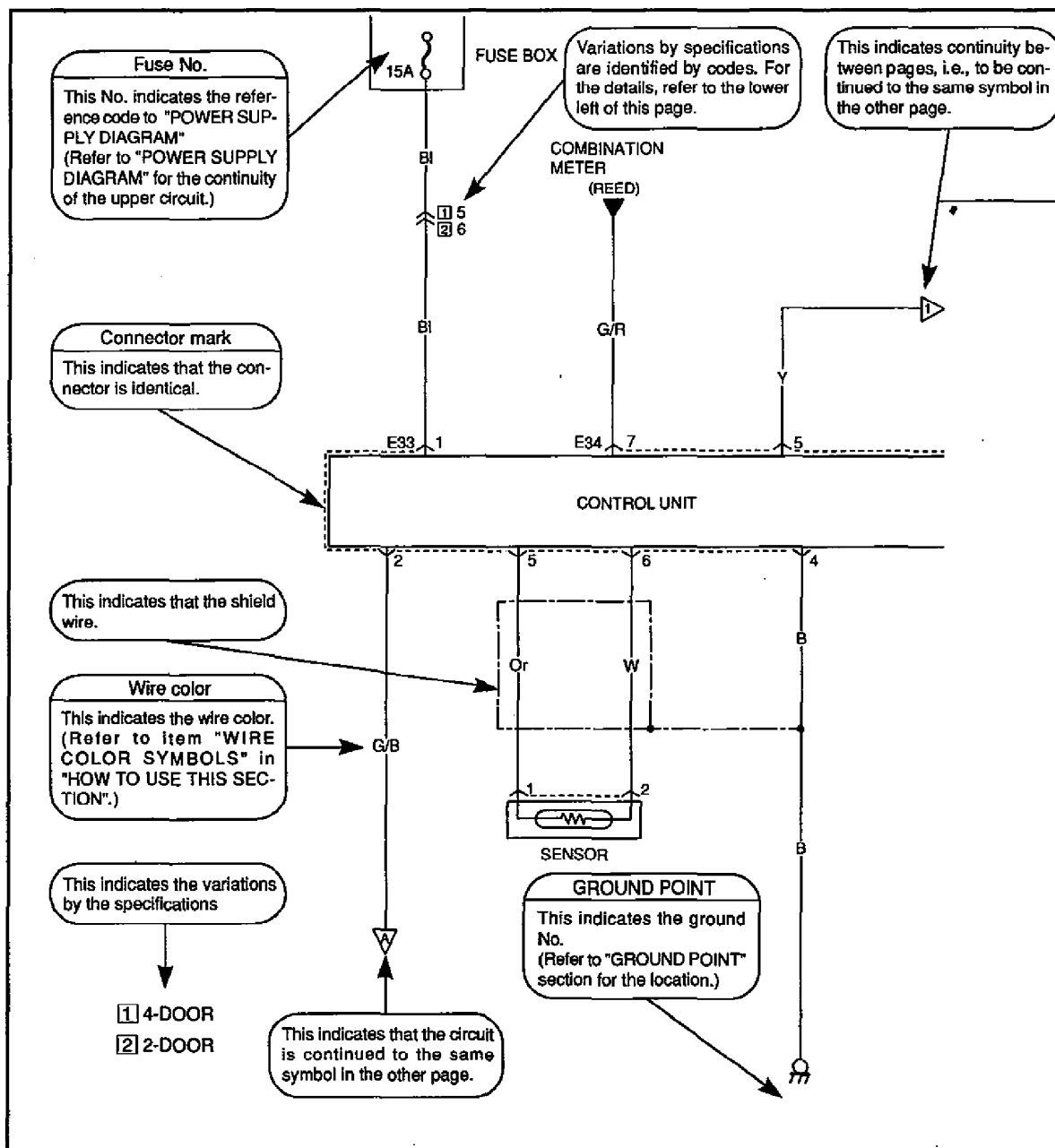
Since every "SYSTEM CIRCUIT DIAGRAM" is drawn from the circuit down the fuse, cross-refer to "POWER SUPPLY DIAGRAM" for the continuity of the upper circuit referring to Fuse No. such as (21).

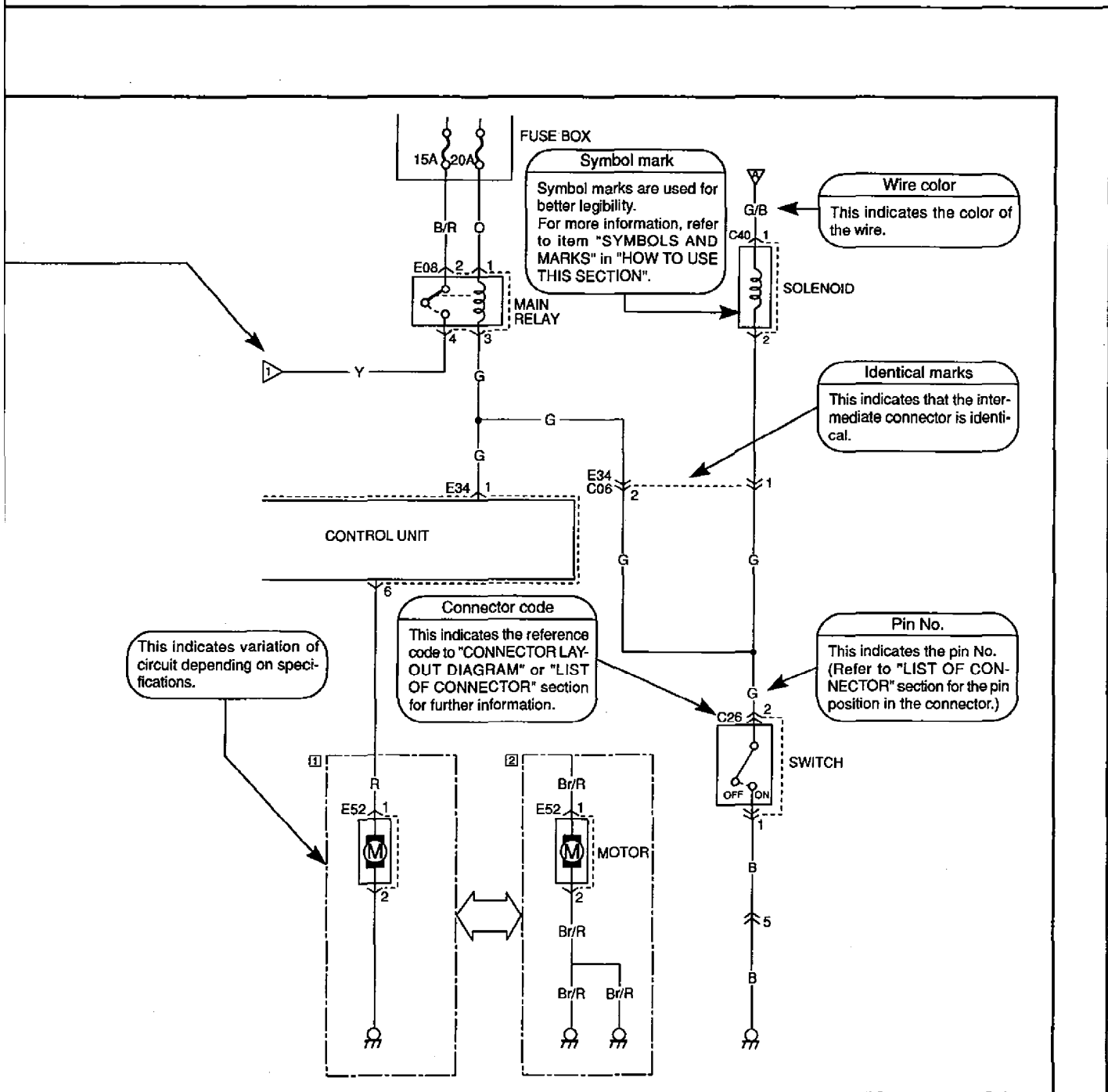


## HOW TO READ SYSTEM CIRCUIT DIAGRAM

The circuit diagram of each system shows the electric circuit from the main fuse, fuse box or the ignition switch (at the top in the diagram) to the ground (at the bottom) so that the circuit can be followed easily when performing inspection and service work.

Further information on connector, ground point and fuses is provided by cross-reference of "SYSTEM CIRCUIT DIAGRAM" and the other sections as described in the preceding indications of this section. Connector code, ground No. and fuse No. are the reference code for cross-reference.





## HOW TO READ LIST OF CONNECTORS

"LIST OF CONNECTORS" section is provided to help identification when looking for the connector in question out of similar ones as well as for retrieval for positions of pins in the connector when checking continuity between pins, etc. Please note that the list is drawn to symbolize the basic configurations of the connectors and some connectors in the list may discrepant to the actual ones depending on the specifications.

How to Use List of Connectors :

It is easily possible to find the shape of the connector in question and its pin positions by locating the same connector code and the pin Nos. as those in "SYSTEM CIRCUIT DIAGRAM" section from "LIST OF CONNECTORS" section.

For further information on its use, refer to item "INDICATION OF CONNECTORS AND HOW TO READ THEM" in this section.



**SECTION 8A-3**

**CONNECTOR LAYOUT DIAGRAM**

**8A-3**

**CONTENTS**

**ENGINE ROOM**

A: Battery ground cable ..... 8A-3-2  
B: Engine room harness (For A/C) ..... 8A-3-2  
C: No.5 harness ..... 8A-3-4  
E: No.1 harness ..... 8A-3-12

**INSTRUMENT PANEL**

E: No.1 harness ..... 8A-3-20  
G: No.2 harness ..... 8A-3-28

**DOOR**

J: Power window main wire ..... 8A-3-32  
J: Power window sub wire ..... 8A-3-32  
J: Speaker wire ..... 8A-3-32  
J: Rear door wire ..... 8A-3-32  
K: Dome lamp wire ..... 8A-3-32

**FLOOR**

L: No.3 harness ..... 8A-3-40

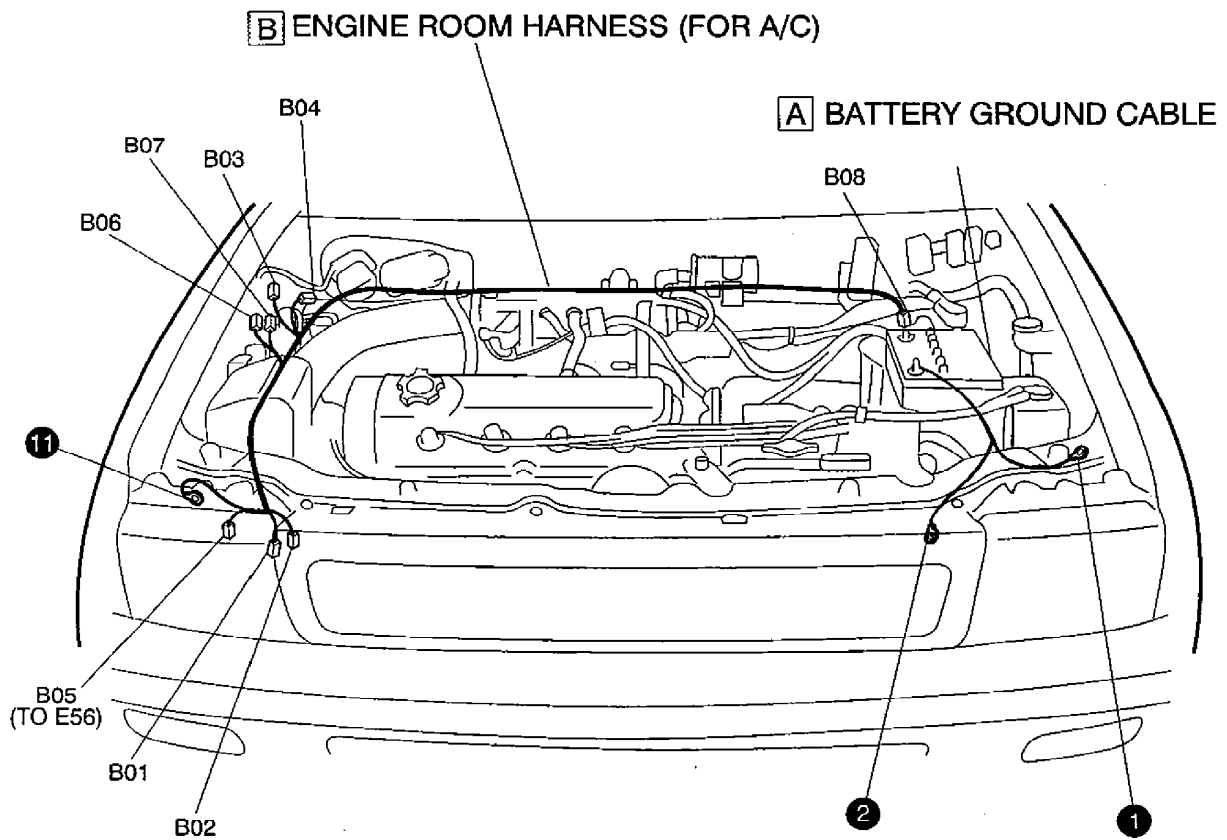
**REAR**

M: No.4 harness ..... 8A-3-44  
O: Hatch door harness ..... 8A-3-44

8A-3-2 CONNECTOR LAYOUT DIAGRAM

**A** **B** **ENGINE ROOM**

**A: BATTERY GROUND CABLE**  
**B: ENGINE ROOM HARNESS (FOR A/C)**



CONNECTOR	CONNECTIVE POSITION
ENGINE ROOM HARNESS	
B01	A/C COMPRESSOR
B02	CONDENSER FAN MOTOR
B03	DUAL PRESSURE SWITCH
B04	A/C COMPRESSOR RELAY
B05	No.1 HARNESS (TO E56)
B06	A/C CONDENSER FAN RELAY
B07	A/C FUSE
B08	FUSIBLE LINK

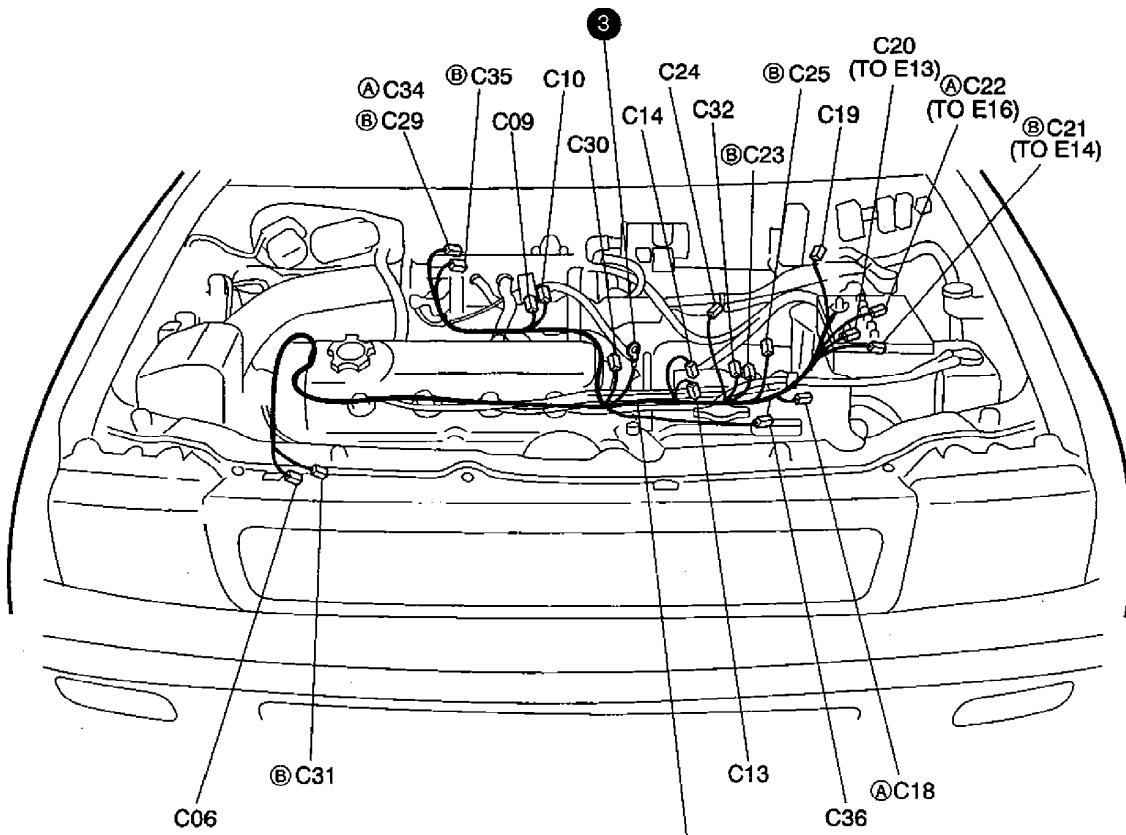
8A-3-4 CONNECTOR LAYOUT DIAGRAM

C

# ENGINE ROOM (RH CARB)

C: No.5 HARNESS

- Ⓐ FOR M/T MODEL
- Ⓑ FOR A/T MODEL



Ⓒ No.5 HARNESS

CONNECTOR	CONNECTIVE POSITION
NO. 5 HARNESS	
C06	OIL PRESSURE SWITCH
C09	GENERATOR
C10	GENERATOR
C13	STARTING MOTOR
C14	STARTING MOTOR
C18	BACK-UP LIGHT SWITCH (FOR M/T MODEL)
C19	MAIN FUSE
C20	No.1 HARNESS (TO E13)
C21	No.1 HARNESS (TO E14) (FOR A/T MODEL)
C22	No.1 HARNESS (TO E16)
C23	OUTPUT SHAFT SPEED SENSOR (FOR A/T MODEL)
C24	TRANSMISSION RANGE SENSOR (FOR A/T MODEL)
C25	SHIFT SOLENOID (FOR A/T MODEL)
C29	THROTTLE POSITION SENSOR (FOR A/T MODEL)
C30	TEMP GAUGE
C31	IDLE UP VSV (FOR A/T MODEL)
C32	RADIATOR FAN SWITCH
C34	CARB SOLENOID (FOR M/T MODEL)
C35	IDLE SWITCH AND FC SOLENOID (FOR A/T MODEL)
C36	DISTRIBUTOR

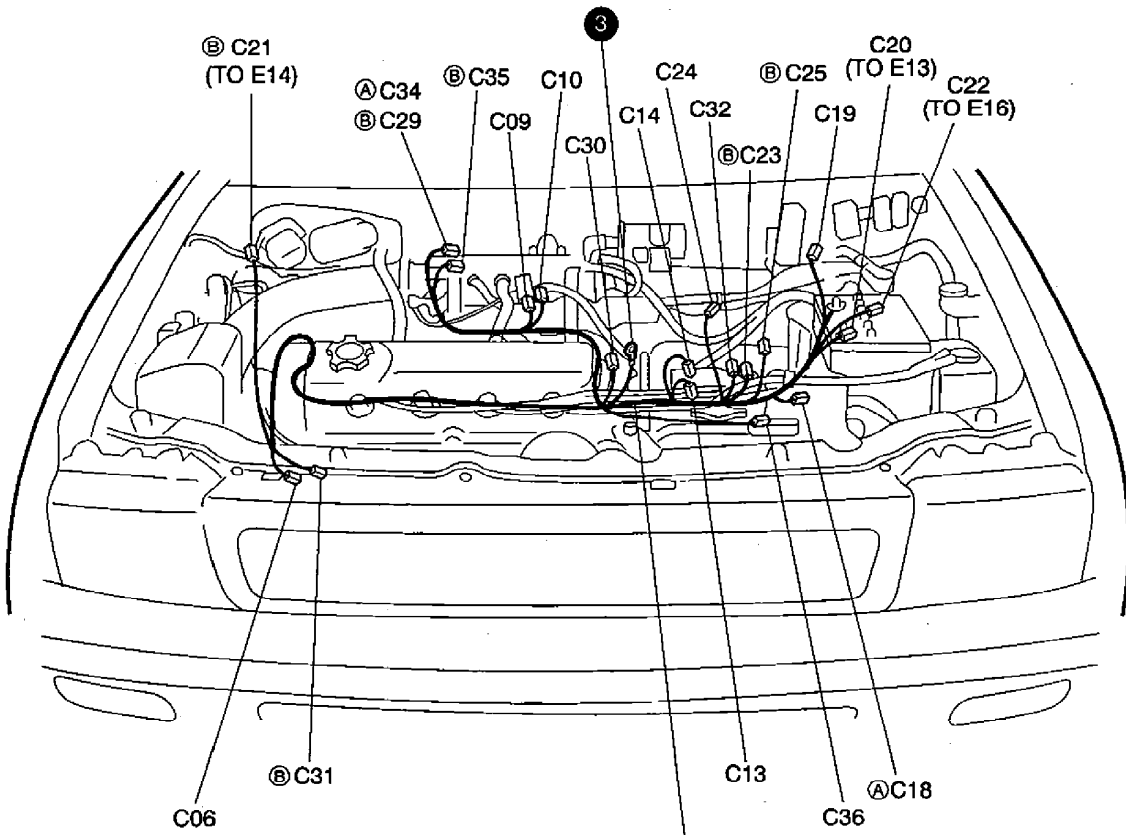
8A-3-6 CONNECTOR LAYOUT DIAGRAM

**C**

# ENGINE ROOM (LH CARB)

**C: No.5 HARNESS**

- Ⓐ FOR M/T MODEL
- Ⓑ FOR A/T MODEL



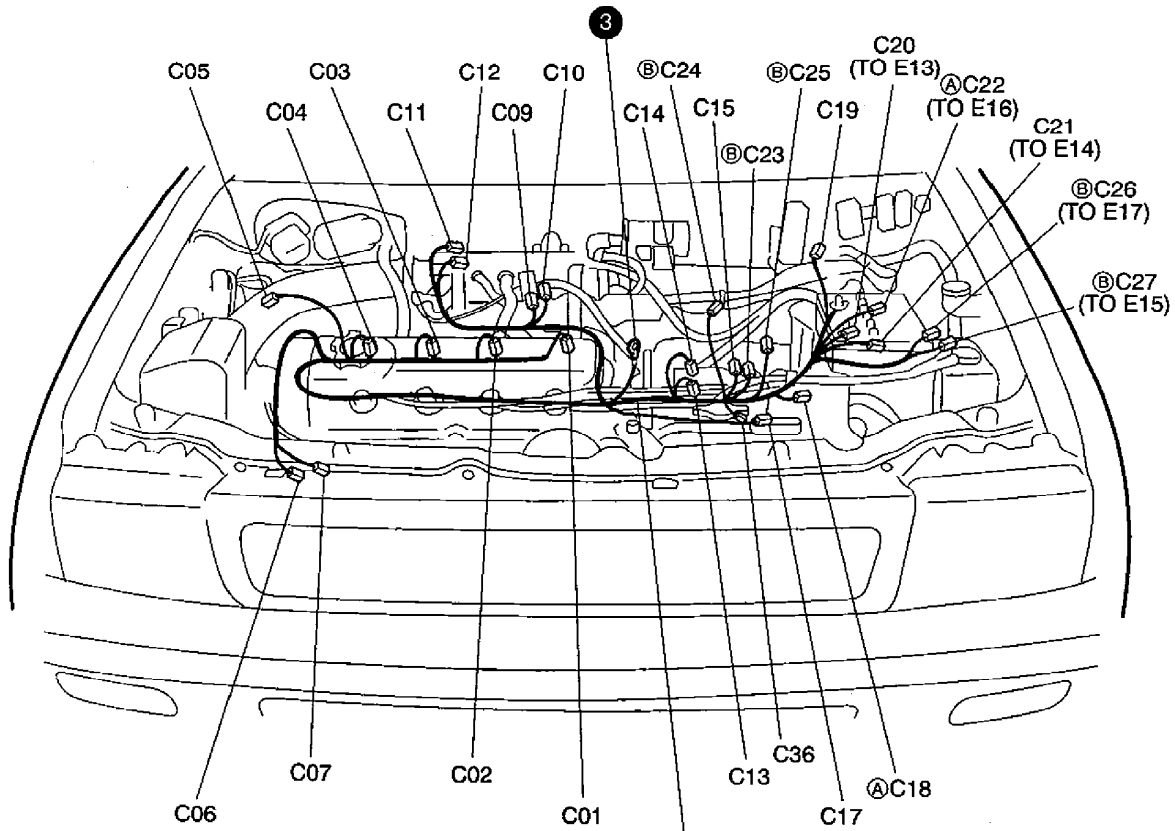
CONNECTOR	CONNECTIVE POSITION
NO. 5 HARNESS	
C06	OIL PRESSURE SWITCH
C09	GENERATOR
C10	GENERATOR
C13	STARTING MOTOR
C14	STARTING MOTOR
C18	BACK-UP LIGHT SWITCH (FOR M/T MODEL)
C19	MAIN FUSE
C20	No.1 HARNESS (TO E13)
C21	No.1 HARNESS (TO E14) (FOR A/T MODEL)
C22	No.1 HARNESS (TO E16)
C23	OUTPUT SHAFT SPEED SENSOR (FOR A/T MODEL)
C24	TRANSMISSION RANGE SENSOR (FOR A/T MODEL)
C25	SHIFT SOLENOID (FOR A/T MODEL)
C29	THROTTLE POSITION SENSOR (FOR A/T MODEL)
C30	TEMP GAUGE
C31	IDLE UP VSV (FOR A/T MODEL)
C32	RADIATOR FAN SWITCH
C34	CARB SOLENOID (FOR M/T MODEL)
C35	IDLE SWITCH AND FC SOLENOID (FOR A/T MODEL)
C36	DISTRIBUTOR

C

# ENGINE ROOM (RH MPI)

C: No.5 HARNESS

Ⓐ FOR M/T MODEL  
Ⓑ FOR A/T MODEL



Ⓒ No.5 HARNESS



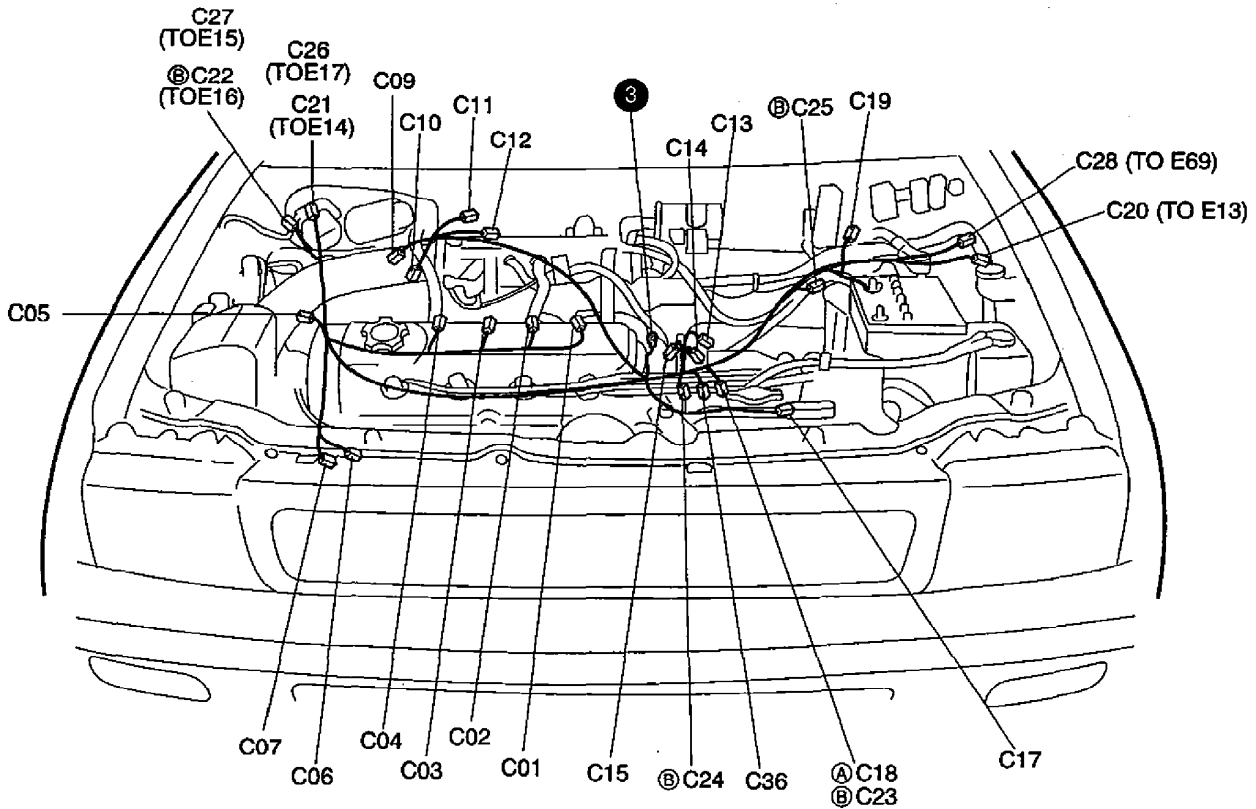
CONNECTOR	CONNECTIVE POSITION
No. 5 HARNESS	
C01	INJECTOR #4
C02	INJECTOR #3
C03	INJECTOR #2
C04	INJECTOR #1
C05	IAT SENSOR
C06	OIL PRESSURE SWITCH
C07	HEATED OXYGEN SENSOR
C09	GENERATOR
C10	GENERATOR
C11	THROTTLE POSITION SENSOR
C12	IAC VALVE
C13	STARTING MOTOR
C14	STARTING MOTOR
C15	ECT SENSOR
C17	CKP SENSOR
C18	BACK-UP LIGHT SWITCH (FOR M/T MODEL)
C19	MAIN FUSE
C20	No.1 HARNESS (TO E13)
C21	No.1 HARNESS (TO E14) (FOR A/T MODEL)
C22	No.1 HARNESS (TO E16)
C23	OUTPUT SHAFT SPEED SENSOR (FOR A/T MODEL)
C24	TRANSMISSION RANGE SENSOR (FOR A/T MODEL)
C25	SHIFT SOLENOID (FOR A/T MODEL)
C26	No.1 HARNESS (TO E17) (FOR A/T MODEL)
C27	No.1 HARNESS (TO E15) (FOR A/T MODEL)
C36	CMP SENSOR

C

# ENGINE ROOM (LH MPI)

C: No.5 HARNESS

Ⓐ FOR M/T MODEL  
Ⓑ FOR A/T MODEL



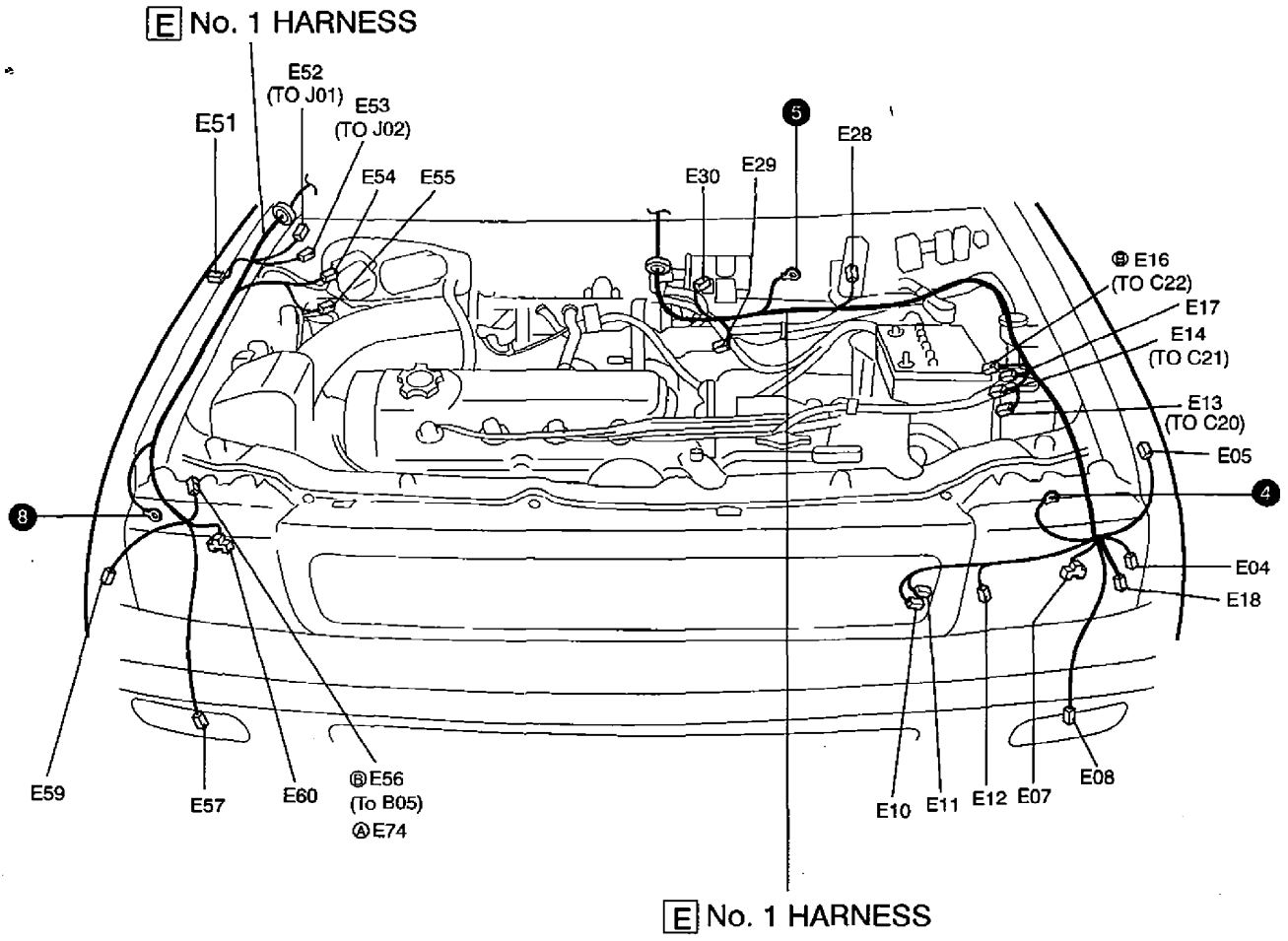
CONNECTOR	CONNECTIVE POSITION
No. 5 HARNESS	
C01	INJECTOR #4
C02	INJECTOR #3
C03	INJECTOR #2
C04	INJECTOR #1
C05	IAT SENSOR
C06	OIL PRESSURE SWITCH
C07	HEATED OXYGEN SENSOR
C09	GENERATOR
C10	GENERATOR
C11	THROTTLE POSITION SENSOR
C12	IAC VALVE
C13	STARTING MOTOR
C14	STARTING MOTOR
C15	ECT SENSOR
C17	CKP SENSOR
C18	BACK-UP LIGHT SWITCH (FOR M/T MODEL)
C19	MAIN FUSE
C20	No.1 HARNESS (TO E13)
C21	No.1 HARNESS (TO E14)
C22	No.1 HARNESS (TO E16) (FOR A/T MODEL)
C23	OUTPUT SHAFT SPEED SENSOR (FOR A/T MODEL)
C24	TRANSMISSION RANGE SENSOR (FOR A/T MODEL)
C25	SHIFT SOLENOID (FOR A/T MODEL)
C26	No.1 HARNESS (TO E17) (FOR A/T MODEL)
C27	No.1 HARNESS (TO E15) (FOR A/T MODEL)
C28	No.1 HARNESS (TO E69)
C36	CMP SENSOR

**E**

# ENGINE ROOM (CARB. RH)

**E: No. 1 HARNESS**

- Ⓐ FOR M/T MODEL
- Ⓑ FOR A/T MODEL

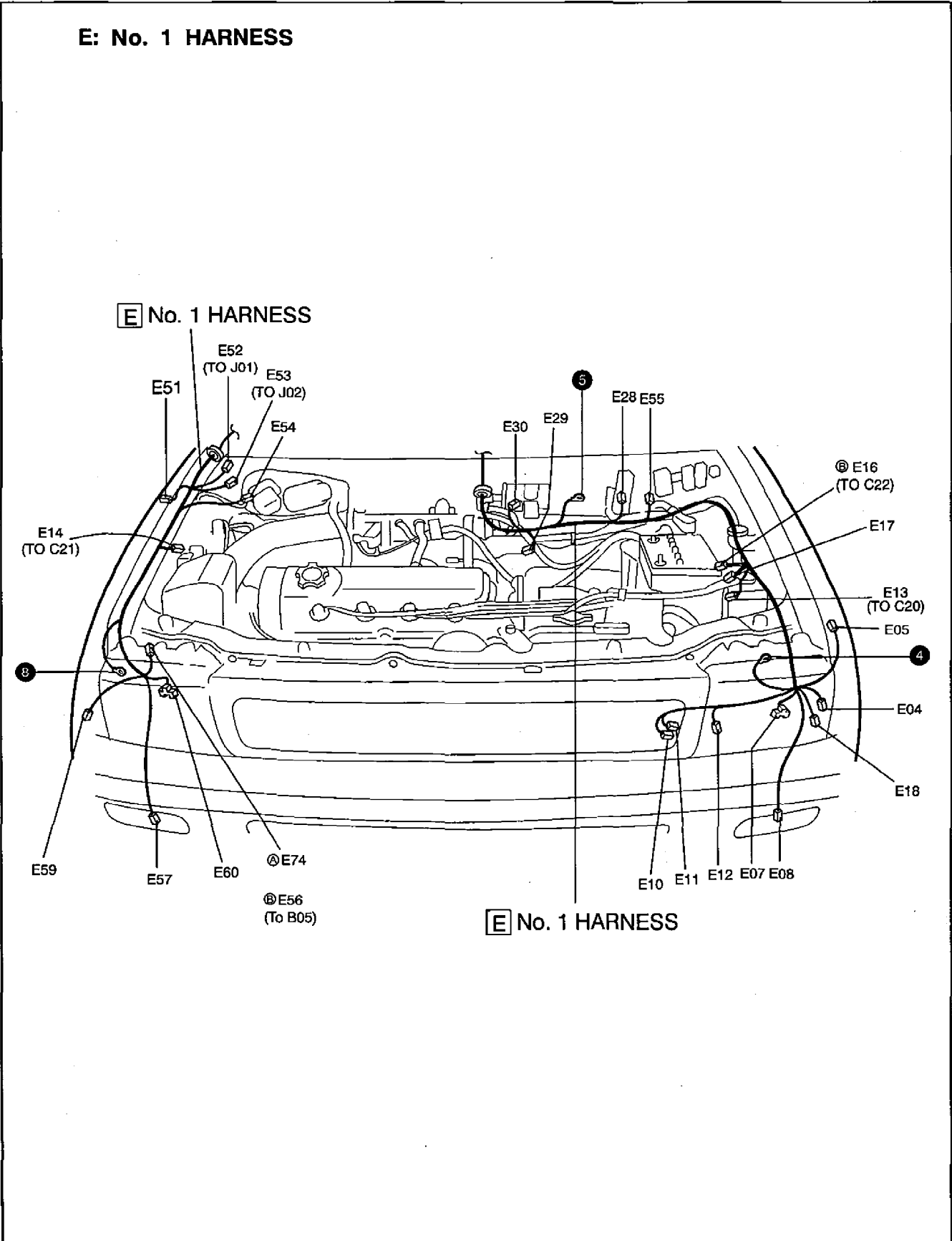


CONNECTOR	CONNECTIVE POSITION
No. 1 HARNESS	
E04	FRONT POSITION LIGHT (L)
E05	FRONT WASHER MOTOR
E07	HEAD LIGHT (L)
E08	FRONT TURN SIGNAL LIGHT (L)
E10	HORN #1
E11	HORN #2
E12	RADIATOR FAN MOTOR
E13	No.5 HARNESS (TO C20)
E14	No.5 HARNESS (TO C21)
E16	No.5 HARNESS (TO C22) (FOR M/T MODEL)
E17	No.5 HARNESS (TO C26) (FOR A/T MODEL)
E18	RADIATOR FAN RELAY
E28	MAIN FUSE
E29	NOISE SUPPRESSOR
E30	IGNITION COIL
E51	SIDE TURN SIGNAL LIGHT (R)
E52	POWER WINDOW MAIN WIRE (TO J01)
E53	POWER WINDOW MAIN WIRE (TO J02)
E54	FRONT WIPER MOTOR
E55	BRAKE FLUID LEVEL SWITCH
E56	A/C HARNESS (TO B05) (FOR A/T MODEL)
E57	FRONT TURN SIGNAL LIGHT (R)
E59	FRONT POSITION LIGHT (R)
E60	HEAD LIGHT (R)
E74	A/C HARNESS (FOR M/T MODEL)

**E**

# ENGINE ROOM (CARB. LH)

**E: No. 1 HARNESS**



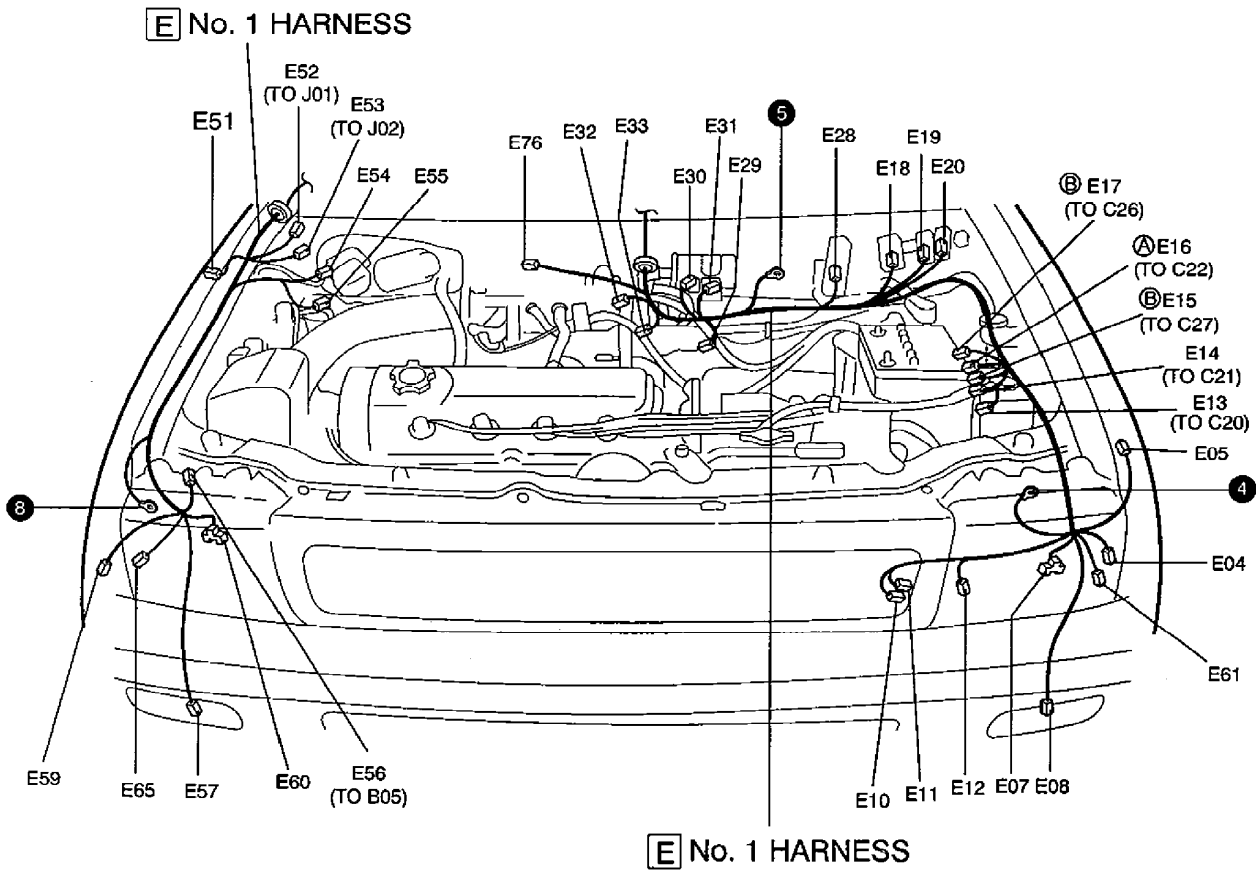
CONNECTOR	CONNECTIVE POSITION
No. 1 HARNESS	
E04	FRONT POSITION LIGHT (L)
E05	FRONT WASHER MOTOR
E07	HEAD LIGHT (L)
E08	FRONT TURN SIGNAL LIGHT (L)
E10	HORN #1
E11	HORN #2
E12	RADIATOR FAN MOTOR
E13	No.5 HARNESS (TO C20)
E14	No.5 HARNESS (TO C21)
E16	No.5 HARNESS (TO C22) (FOR M/T MODEL)
E17	No.5 HARNESS (TO C26) (FOR A/T MODEL)
E18	RADIATOR FAN RELAY
E28	MAIN FUSE
E29	NOISE SUPPRESSOR
E30	IGNITION COIL
E51	SIDE TURN SIGNAL LIGHT (R)
E52	POWER WINDOW MAIN WIRE (TO J01)
E53	POWER WINDOW MAIN WIRE (TO J02)
E54	FRONT WIPER MOTOR
E56	A/C HARNESS (TO B05) (FOR A/T MODEL)
E57	FRONT TURN SIGNAL LIGHT (R)
E59	FRONT POSITION LIGHT (R)
E60	HEAD LIGHT (R)
E74	A/C HARNESS (FOR M/T MODEL)

**E**

# ENGINE ROOM (MPI RH)

## E: No. 1 HARNESS

- Ⓐ FOR M/T MODEL
- Ⓑ FOR A/T MODEL





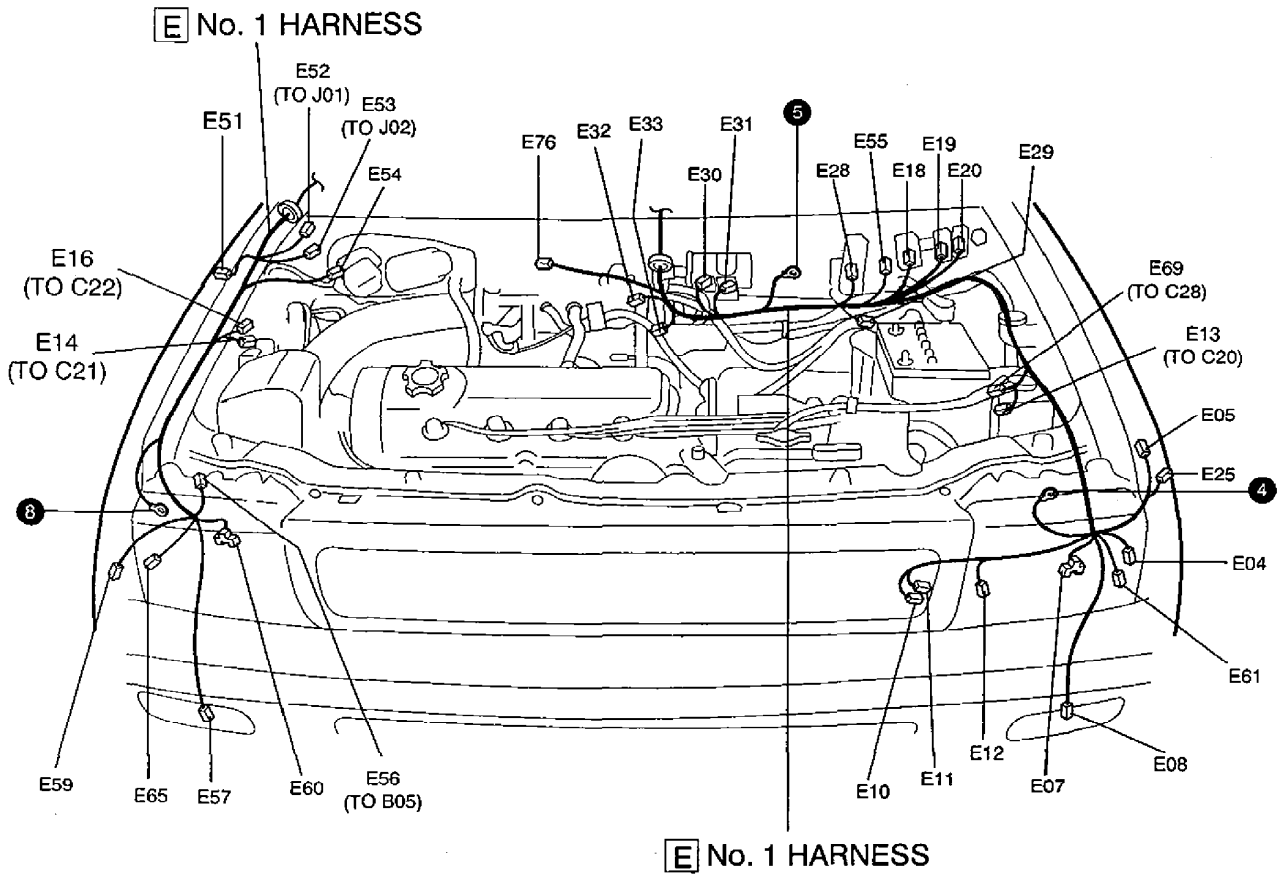
CONNECTOR	CONNECTIVE POSITION
No. 1 HARNESS	
E04	FRONT POSITION LIGHT (L)
E05	FRONT WASHER MOTOR
E07	HEAD LIGHT (L)
E08	FRONT TURN SIGNAL LIGHT (L)
E10	HORN #1
E11	HORN #2
E12	RADIATOR FAN MOTOR
E13	No.5 HARNESS (TO C20)
E14	No.5 HARNESS (TO C21)
E15	No.5 HARNESS (TO C27) (FOR A/T MODEL)
E16	No.5 HARNESS (TO C22) (FOR M/T MODEL)
E17	No.5 HARNESS (TO C26) (FOR A/T MODEL)
E18	RADIATOR FAN RELAY
E19	MAIN RELAY
E20	FUEL PUMP RELAY
E28	MAIN FUSE
E29	NOISE SUPPRESSOR
E30	IGNITION COIL
E31	IGNITER
E32	MAP SENSOR
E33	EVAP CANSITER PURGE VALVE
E51	SIDE TURN SIGNAL LIGHT (R)
E52	POWER WINDOW MAIN WIRE (TO J01)
E53	POWER WINDOW MAIN WIRE (TO J02)
E54	FRONT WIPER MOTOR
E55	BRAKE FLUID LEVEL SWITCH
E56	A/C HARNESS (TO B05)
E57	FRONT TURN SIGNAL LIGHT (R)
E59	FRONT POSITION LIGHT (R)
E60	HEAD LIGHT (R)
E61	HEAD LIGHT BEAM LEVELING ACTUATOR (L)
E66	HEAD LIGHT BEAM LEVELING ACTUATOR (R)
E76	EGR VALVE

**E**

# ENGINE ROOM (MPI LH)

**E: No. 1 HARNESS**

- Ⓐ FOR M/T MODEL
- Ⓑ FOR A/T MODEL

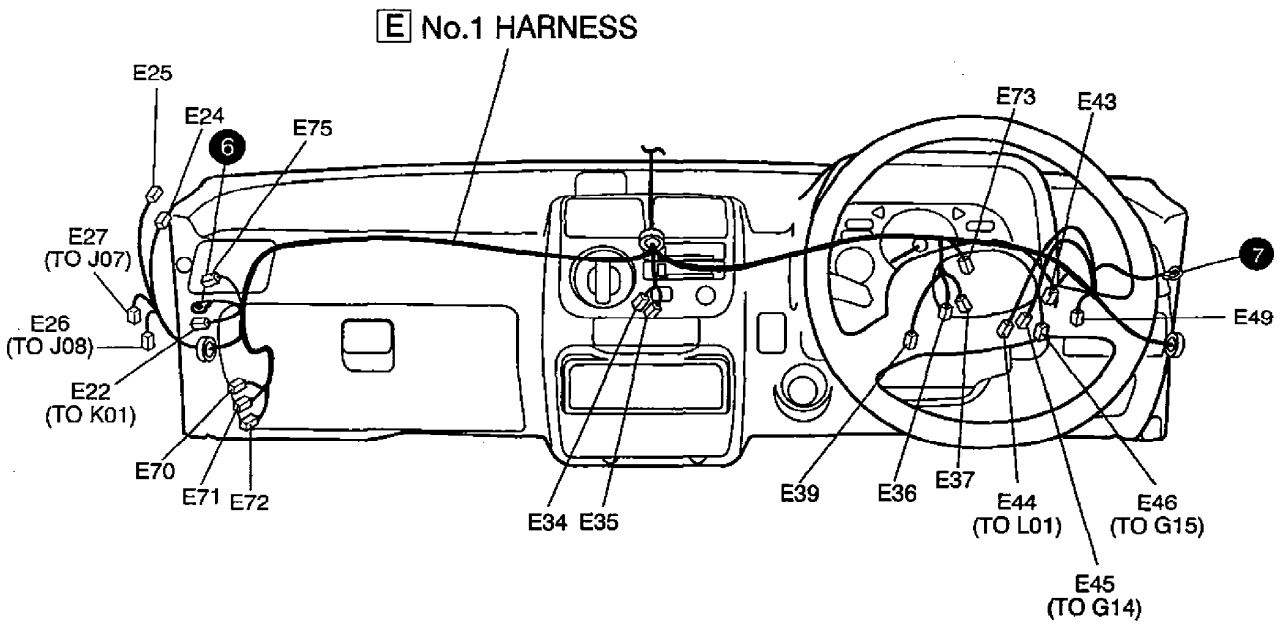


CONNECTOR	CONNECTIVE POSITION
No. 1 HARNESS	
E04	FRONT POSITION LIGHT (L)
E05	FRONT WASHER MOTOR
E07	HEAD LIGHT (L)
E08	FRONT TURN SIGNAL LIGHT (L)
E10	HORN #1
E11	HORN #2
E12	RADIATOR FAN MOTOR
E13	No.5 HARNESS (TO C20)
E14	No.5 HARNESS (TO C21) (FOR LH MODEL)
E16	No.5 HARNESS (TO C22) (FOR M/T MODEL)
E18	RADIATOR FAN RELAY
E19	MAIN RELAY
E20	FUEL PUMP RELAY
E25	REAR WASHER MOTOR
E28	MAIN FUSE
E29	NOISE SUPPRESSOR
E30	IGNITION COIL
E31	IGNITER
E32	MAP SENSOR
E33	EVAP CANISTER PURGE VALVE
E51	SIDE TURN SIGNAL LIGHT (R)
E52	POWER WINDOW MAIN WIRE (TO J01)
E53	POWER WINDOW MAIN WIRE (TO J02)
E54	FRONT WIPER MOTOR
E56	BRAKE FLUID LEVEL SWITCH
E56	A/C HARNESS (TO B05)
E57	FRONT TURN SIGNAL LIGHT (R)
E59	FRONT POSITION LIGHT (R)
E60	HEAD LIGHT (R)
E61	HEAD LIGHT BEAM LEVELING ACTUATOR (L)
E66	HEAD LIGHT BEAM LEVELING ACTUATOR (R)
E69	No.5 HARNESS (TO C28)
E76	EGR VALVE

**E**

# INSTRUMENT PANEL (RH CARB)

**E: No. 1 HARNESS**

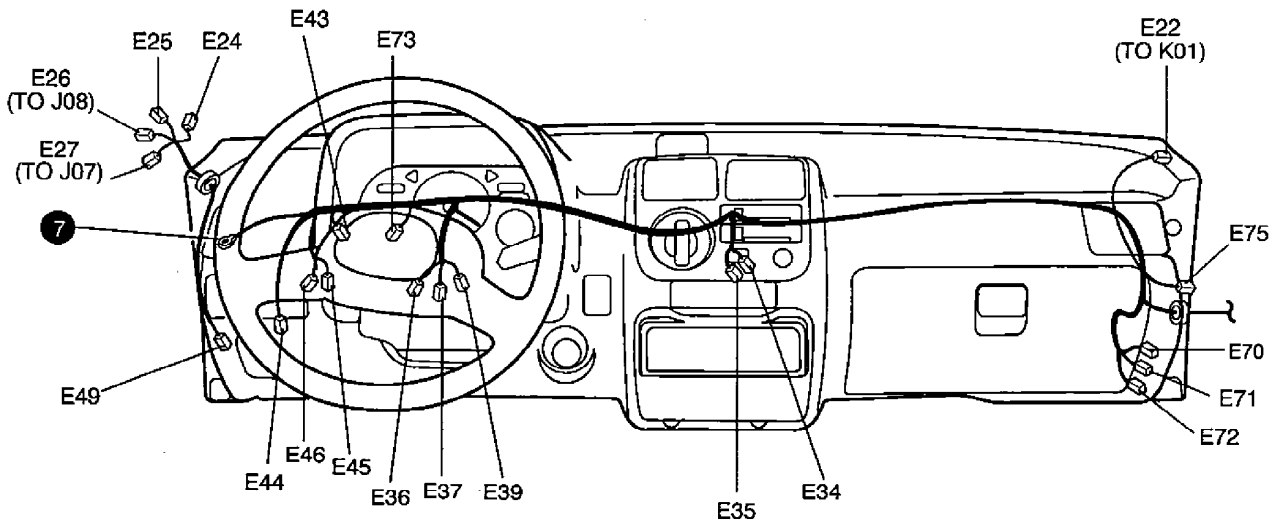


CONNECTOR	CONNECTIVE POSITION
No. 1 HARNESS	
E22	INTERIOR LIGHT WIRE (TO K01)
E24	SIDE TURN SIGNAL LIGHT (L)
E25	REAR WASHER MOTOR
E26	POWER WINDOW SUB WIRE (TO J08)
E27	POWER WINDOW SUB WIRE (TO J07)
E34	BLOWER FAN MOTOR
E35	BLOWER FAN MOTOR RESISTOR
E36	COMBINATION SWITCH
E37	MAIN SWITCH P/S
E39	STOP LIGHT SWITCH P/S
E43	DOOR LOCK CONTROLLER
E44	No.3 HARNESS (TO L01)
E46	No.2 HARNESS (TO G14)
E46	No.2 HARNESS (TO G15)
E49	TURN SIGNAL RELAY
E70	CARB CONTROLLER
E71	CARB CONTROLLER
E72	CARB CONTROLLER
E73	DIAGNOSIS CONNECTOR
E75	A/C HARNESS

**E**

**INSTRUMENT PANEL (LH CARB)**

**E: No. 1 HARNESS**

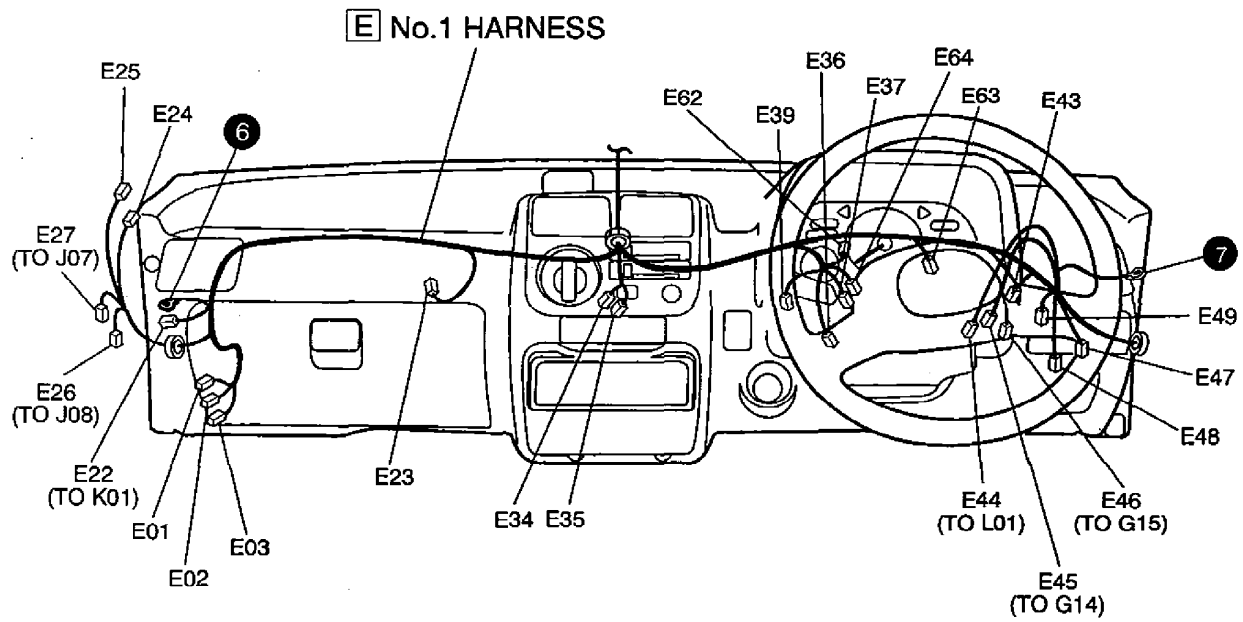


CONNECTOR	CONNECTIVE POSITION
No. 1 HARNESS	
E22	INTERIOR LIGHT WIRE (TO K01)
E24	SIDE TURN SIGNAL LIGHT (L)
E25	REAR WASHER MOTOR
E26	POWER WINDOW SUB WIRE (TO J08)
E27	POWER WINDOW SUB WIRE (TO J07)
E34	BLOWER FAN MOTOR
E35	BLOWER FAN MOTOR RESISTOR
E36	COMBINATION SWITCH
E37	MAIN SWITCH P/S
E39	STOP LIGHT SWITCH P/S
E43	DOOR LOCK CONTROLLER
E44	No.3 HARNESS (TO L01)
E45	No.2 HARNESS (TO G14)
E46	No.2 HARNESS (TO G15)
E49	TURN SIGNAL RELAY
E70	CARB CONTROLLER
E71	CARB CONTROLLER
E72	CARB CONTROLLER
E73	DIAGNOSIS CONNECTOR
E75	A/C HARNESS

**E**

# INSTRUMENT PANEL (RH MPI)

**E: No. 1 HARNESS**



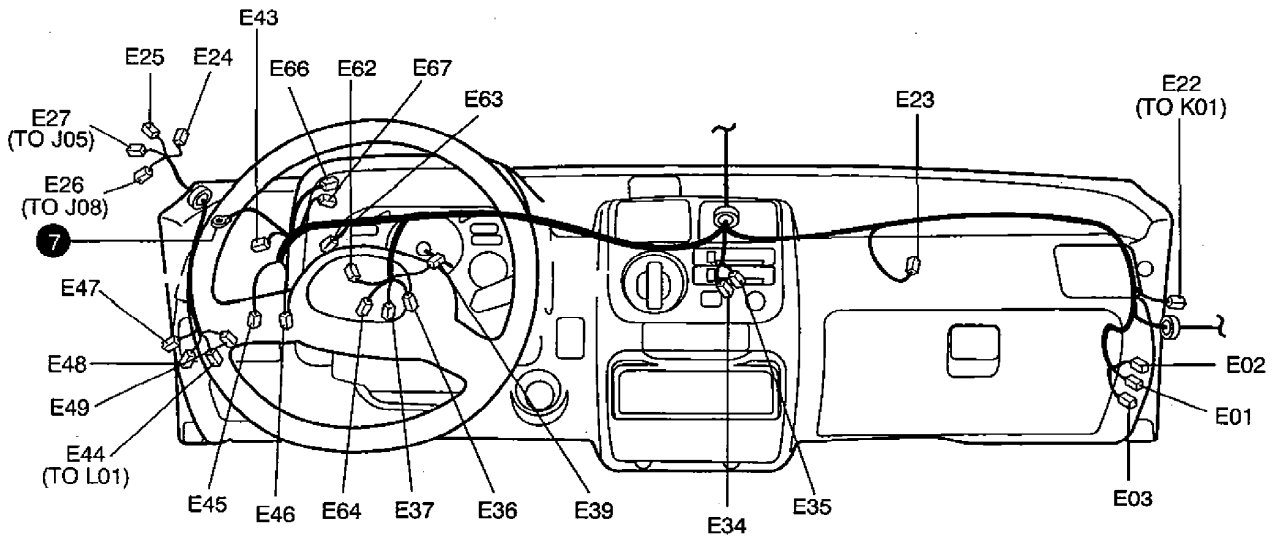


CONNECTOR	CONNECTIVE POSITION
No. 1 HARNESS	
E01	ECM
E02	ECM
E03	ECM
E22	INTERIOR LIGHT WIRE (TO K01)
E23	THERMISTOR
E24	SIDE TURN SIGNAL LIGHT (L)
E25	REAR WASHER MOTOR
E26	POWER WINDOW SUB WIRE (TO J08)
E27	POWER WINDOW SUB WIRE (TO J07)
E34	BLOWER FAN MOTOR
E35	BLOWER FAN MOTOR RESISTOR
E36	COMBINATION SWITCH
E37	MAIN SWITCH P/S
E39	STOP LIGHT SWITCH P/S
E43	DOOR LOCK CONTROLLER
E44	No.3 HARNESS (TO L01)
E45	No.2 HARNESS (TO G14)
E46	No.2 HARNESS (TO G15)
E47	DIODE
E48	DATA LINK CONNECTOR
E49	TURN SIGNAL RELAY
E62	IMMOBILIZER CONTROLLER
E63	IMMOBILIZER OUTPUT DIAGNOSIS COUPLER
E64	COIL ANTENNA

E

# INSTRUMENT PANEL (LH MPI)

E: No. 1 HARNESS

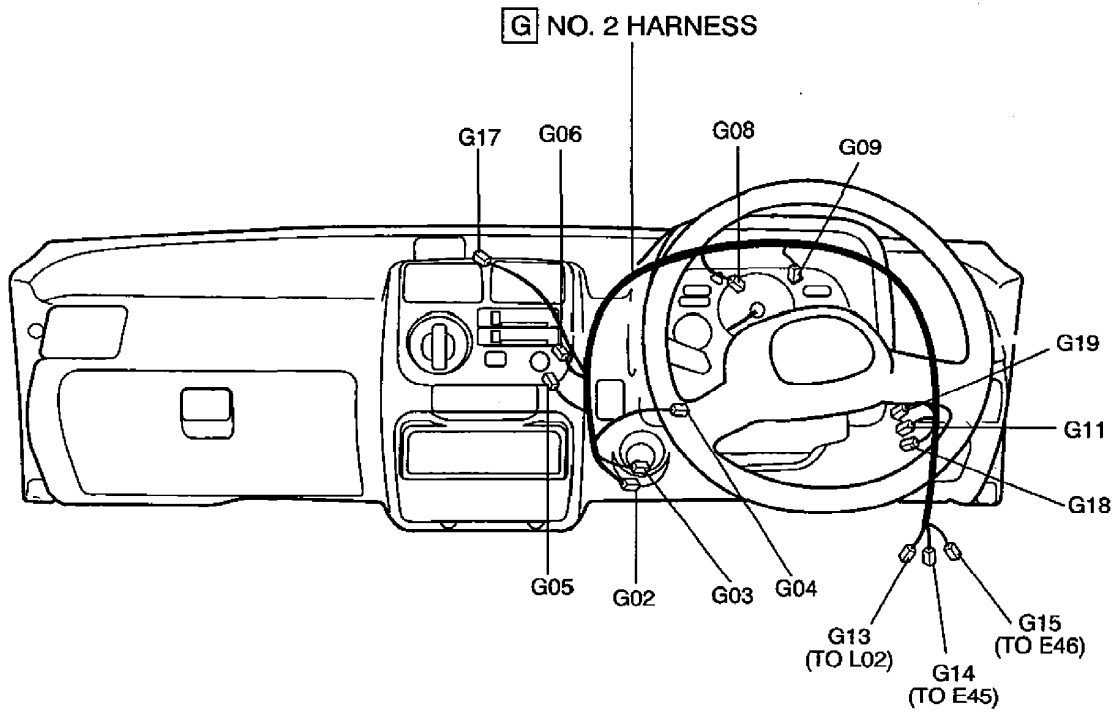


CONNECTOR	CONNECTIVE POSITION
No. 1 HARNESS	
E01	ECM
E02	ECM
E03	ECM
E22	INTERIOR LIGHT WIRE (TO K01)
E23	THERMISTOR
E24	SIDE TURN SIGNAL LIGHT (L)
E25	REAR WASHER MOTOR
E26	POWER WINDOW SUB WIRE (TO J08)
E27	POWER WINDOW SUB WIRE (TO J07)
E34	BLOWER FAN MOTOR
E35	BLOWER FAN MOTOR RESISTOR
E36	COMBINATION SWITCH
E37	MAIN SWITCH P/S
E39	STOP LIGHT SWITCH P/S
E43	DOOR LOCK CONTROLLER
E44	No.3 HARNESS (TO L01)
E45	No.2 HARNESS (TO G14)
E46	No.2 HARNESS (TO G15)
E47	DIODE
E48	DATA LINK CONNECTOR
E49	TURN SIGNAL RELAY
E62	IMMOBILIZER CONTROLLER
E63	IMMOBILIZER OUTPUT DIAGNOSIS COUPLER
E64	COIL ANTENNA
E66	DRL CONTROLLER
E67	DRL CONTROLLER

G

# INSTRUMENT PANEL (RH)

G: No. 2 HARNESS



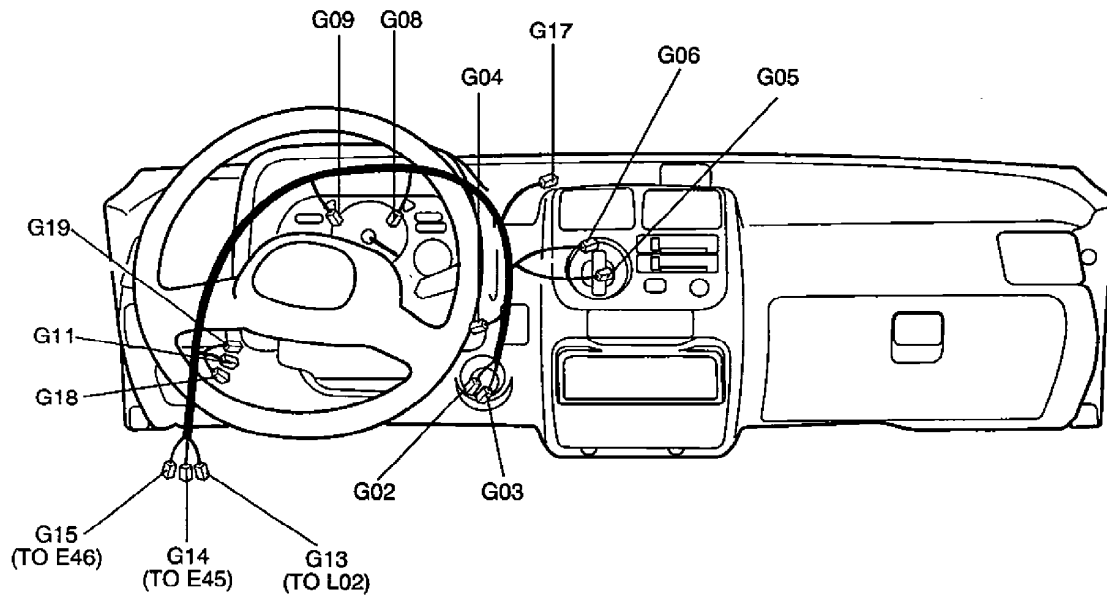
CONNECTOR LAYOUT DIAGRAM 8A-3-29

CONNECTOR	CONNECTIVE POSITION
No. 2 HARNESS	
G02	CIGAR LIGHTER
G03	CIGAR LIGHTER
G04	REAR WIPER & WASHER SWITCH
G05	A/C SWITCH
G06	BLOWER FAN MOTOR SWITCH
G08	COMBINATION METER
G09	COMBINATION METER
G11	REAR FOG LIGHT SWITCH
G13	No.3 HARNESS (TO L02)
G14	No.1 HARNESS (TO E45)
G15	No.1 HARNESS (TO E46)
G17	CLOCK
G18	REAR DEFOGGER SWITCH
G19	HEADLIGHT LEVELING SWITCH

**G**

# INSTRUMENT PANEL (LH)

**G: No. 2 HARNESS**

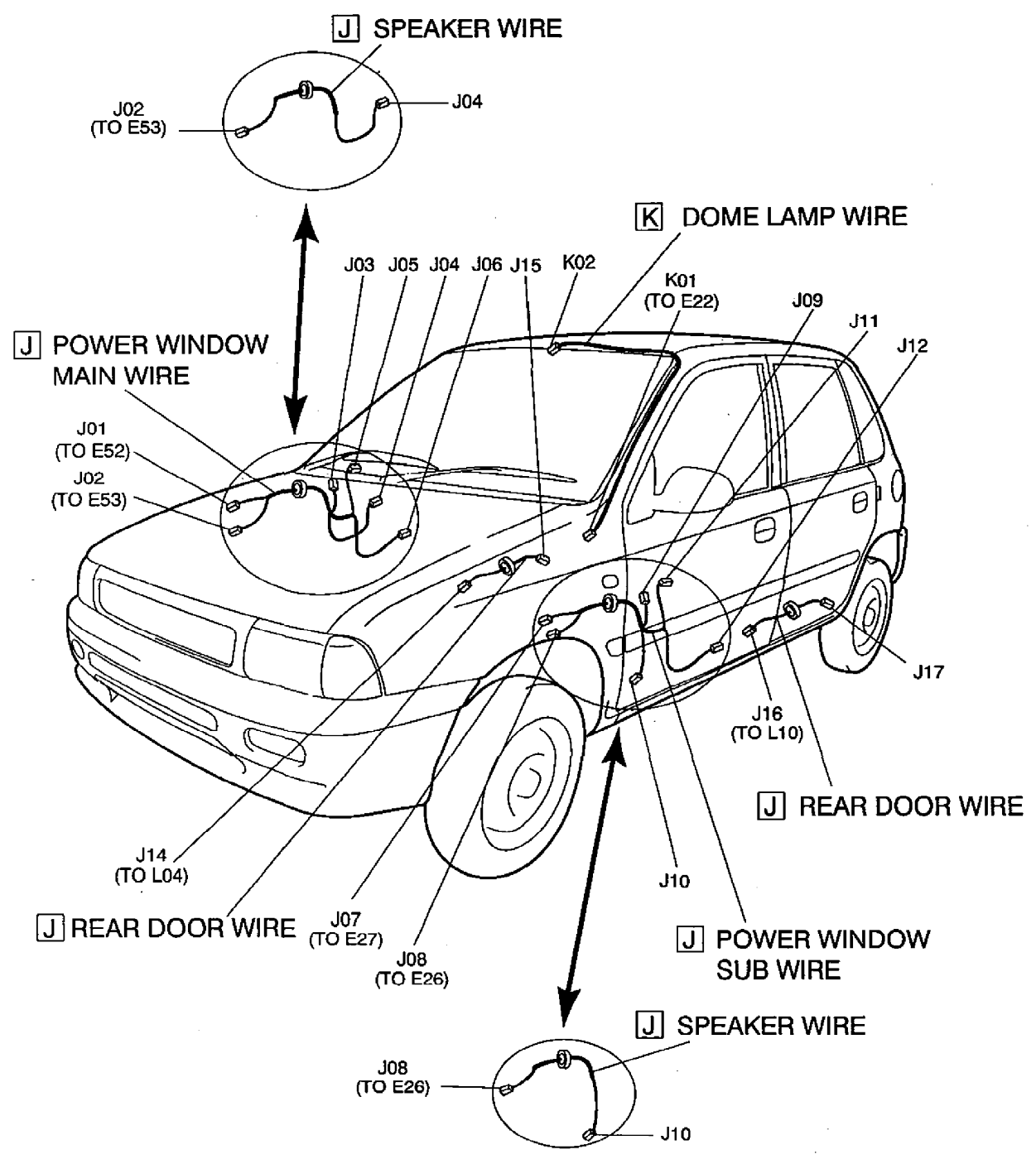


CONNECTOR	CONNECTIVE POSITION
No. 2 HARNESS	
G02	CIGAR LIGHTER
G03	CIGAR LIGHTER
G04	REAR WIPER & WASHER SWITCH
G05	A/C SWITCH
G06	BLOWER FAN MOTOR SWITCH
G08	COMBINATION METER
G09	COMBINATION METER
G11	REAR FOG LIGHT SWITCH
G13	No.3 HARNESS (TO L02)
G14	No.1 HARNESS (TO E45)
G15	No.1 HARNESS (TO E46)
G17	CLOCK
G18	REAR DEFOGGER SWITCH
G19	HEADLIGHT LEVELING SWITCH

8A-3-32 CONNECTOR LAYOUT DIAGRAM

**J** **K** **FLOOR (5D RH)**

- J:** POWER WINDOW MAIN WIRE
- POWER WINDOW SUB WIRE
- REAR DOOR WIRE
- SPEAKER WIRE
- K:** DOME LAMP WIRE



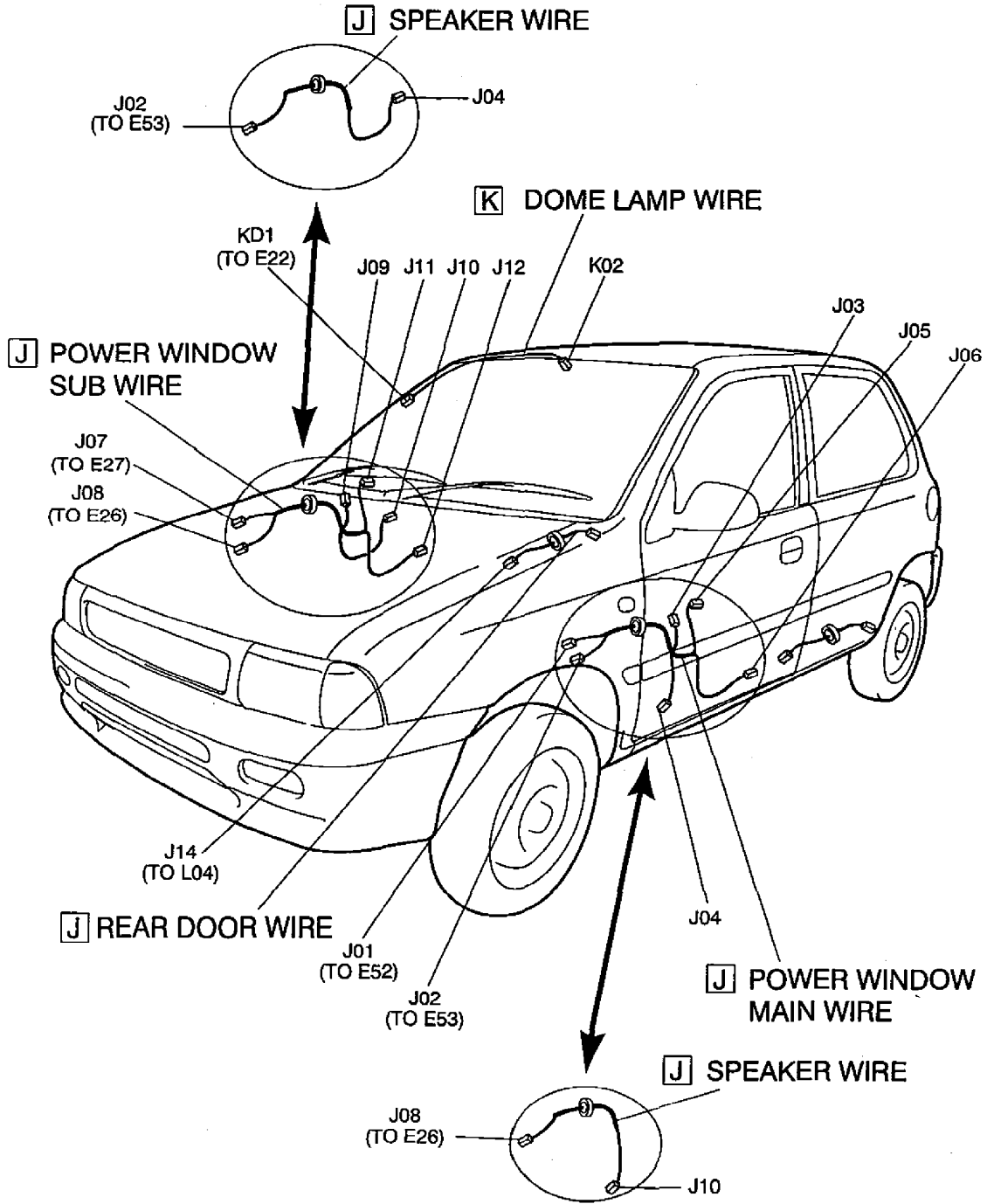


CONNECTOR	CONNECTIVE POSITION
SPEAKER WIRE	
J02	No.1 HARNESS (TO E53)
J04	SPEAKER (DRIVER SIDE)
J08	No.1 HARNESS (TO E26)
J10	SPEAKER (PASSENGER SIDE)
POWER WINDOW MAIN WIRE	
J01	No.1 HARNESS (TO E52)
J02	No.1 HARNESS (TO E53)
J03	FRONT POWER WINDOW MOTOR (R)
J04	SPEAKER (DRIVE SIDE)
J05	POWER WINDOW MAIN SWITCH
J06	KEY SWITCH
POWER WINDOW SUB WIRE	
J07	FLOOR HARNESS (TO E27)
J08	No.1 HARNESS (TO E26)
J09	FRONT POWER WINDOW MOTOR (L)
J10	SPEAKER (PASSENGER SIDE)
J11	POWER WINDOW SUB SWITCH
J12	FRONT DOOR LOCK MOTOR (L)
REAR DOOR WIRE	
J14	No.3 HARNESS (TO L04)
J15	REAR DOOR LOCK MOTOR (R)
J16	No.3 HARNESS (TO L10)
J17	REAR DOOR LOCK MOTOR (L)
DOME LAMP WIRE	
K01	No.1 HARNESS (TO E22)
K02	INTERIOR LIGHT

8A-3-34 CONNECTOR LAYOUT DIAGRAM

**J** **K** **FLOOR (5D LH)**

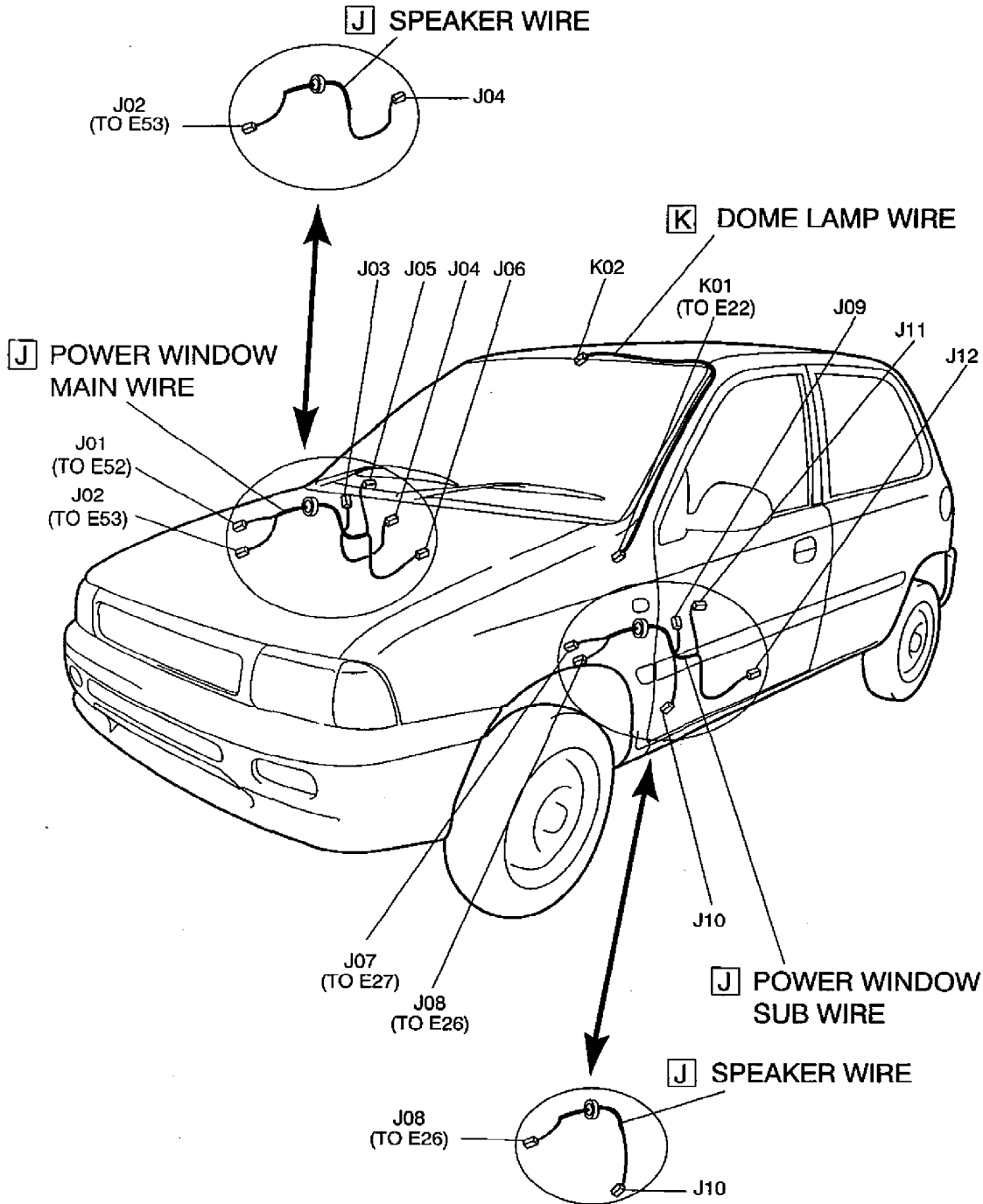
- J: POWER WINDOW MAIN WIRE**
- POWER WINDOW SUB WIRE**
- REAR DOOR WIRE**
- SPEAKER WIRE**
- K: DOME LAMP WIRE**



CONNECTOR	CONNECTIVE POSITION
SPEAKER WIRE	
J02	No.1 HARNESS (TO E53)
J04	SPEAKER (DRIVER SIDE)
J08	No.1 HARNESS (TO E26)
J10	SPEAKER (PASSENGER SIDE)
POWER WINDOW MAIN WIRE	
J01	No.1 HARNESS (TO E52)
J02	No.1 HARNESS (TO E53)
J03	FRONT POWER WINDOW MOTOR (R)
J04	SPEAKER (DRIVE SIDE)
J05	POWER WINDOW MAIN SWITCH
J06	KEY SWITCH
POWER WINDOW SUB WIRE	
J07	FLOOR HARNESS (TO E27)
J08	No.1 HARNESS (TO E26)
J09	FRONT POWER WINDOW MOTOR (L)
J10	SPEAKER (PASSENGER SIDE)
J11	POWER WINDOW SUB SWITCH
J12	FRONT DOOR LOCK MOTOR (L)
REAR DOOR WIRE	
J14	No.3 HARNESS (TO L04)
J15	REAR DOOR LOCK MOTOR (R)
J16	No.3 HARNESS (TO L10)
J17	REAR DOOR LOCK MOTOR (L)
DOME LAMP WIRE	
K01	No.1 HARNESS (TO E22)
K02	INTERIOR LIGHT

**J** **K** **FLOOR (3D RH)**

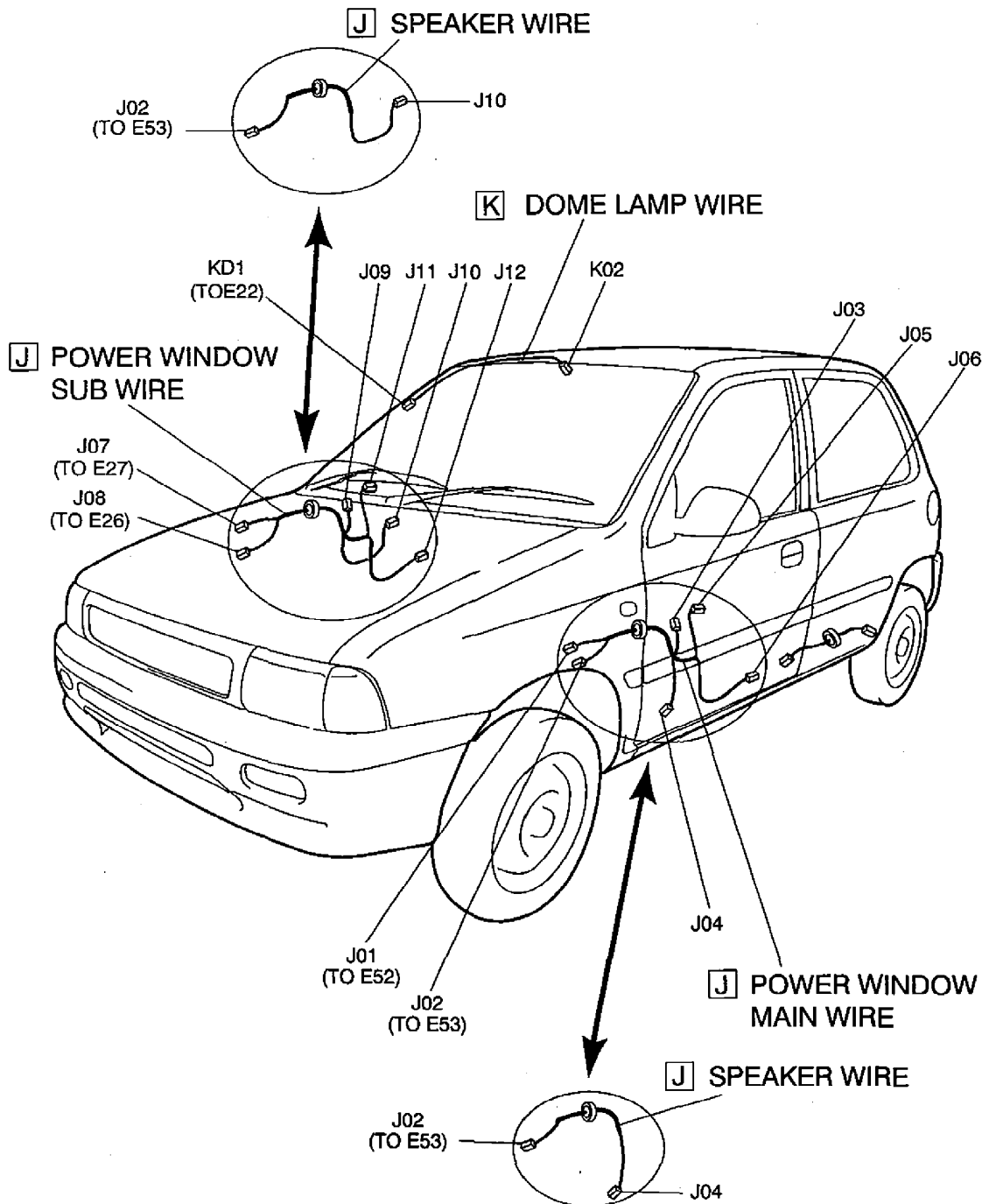
- J:** POWER WINDOW MAIN WIRE
- POWER WINDOW SUB WIRE
- REAR DOOR WIRE
- SPEAKER WIRE
- K:** DOME LAMP WIRE



CONNECTOR	CONNECTIVE POSITION
SPEAKER WIRE	
J02	No.1 HARNESS (TO E53)
J04	SPEAKER (DRIVER SIDE)
J08	No.1 HARNESS (TO E26)
J10	SPEAKER (PASSENGER SIDE)
POWER WINDOW MAIN WIRE	
J01	No.1 HARNESS (TO E52)
J02	No.1 HARNESS (TO E53)
J03	FRONT POWER WINDOW MOTOR (R)
J04	SPEAKER (DRIVE SIDE)
J05	POWER WINDOW MAIN SWITCH
J06	KEY SWITCH
POWER WINDOW SUB WIRE	
J07	FLOOR HARNESS (TO E27)
J08	No.1 HARNESS (TO E26)
J09	FRONT POWER WINDOW MOTOR (L)
J10	SPEAKER (PASSENGER SIDE)
J11	POWER WINDOW SUB SWITCH
J12	FRONT DOOR LOCK MOTOR (L)
REAR DOOR WIRE	
J14	No.3 HARNESS (TO L04)
J15	REAR DOOR LOCK MOTOR (R)
J16	No.3 HARNESS (TO L10)
J17	REAR DOOR LOCK MOTOR (L)
DOME LAMP WIRE	
K01	No.1 HARNESS (TO E22)
K02	INTERIOR LIGHT

**J** **K** **FLOOR (3D LH)**

- J:** POWER WINDOW MAIN WIRE
- POWER WINDOW SUB WIRE
- REAR DOOR WIRE
- SPEAKER WIRE
- K:** DOME LAMP WIRE

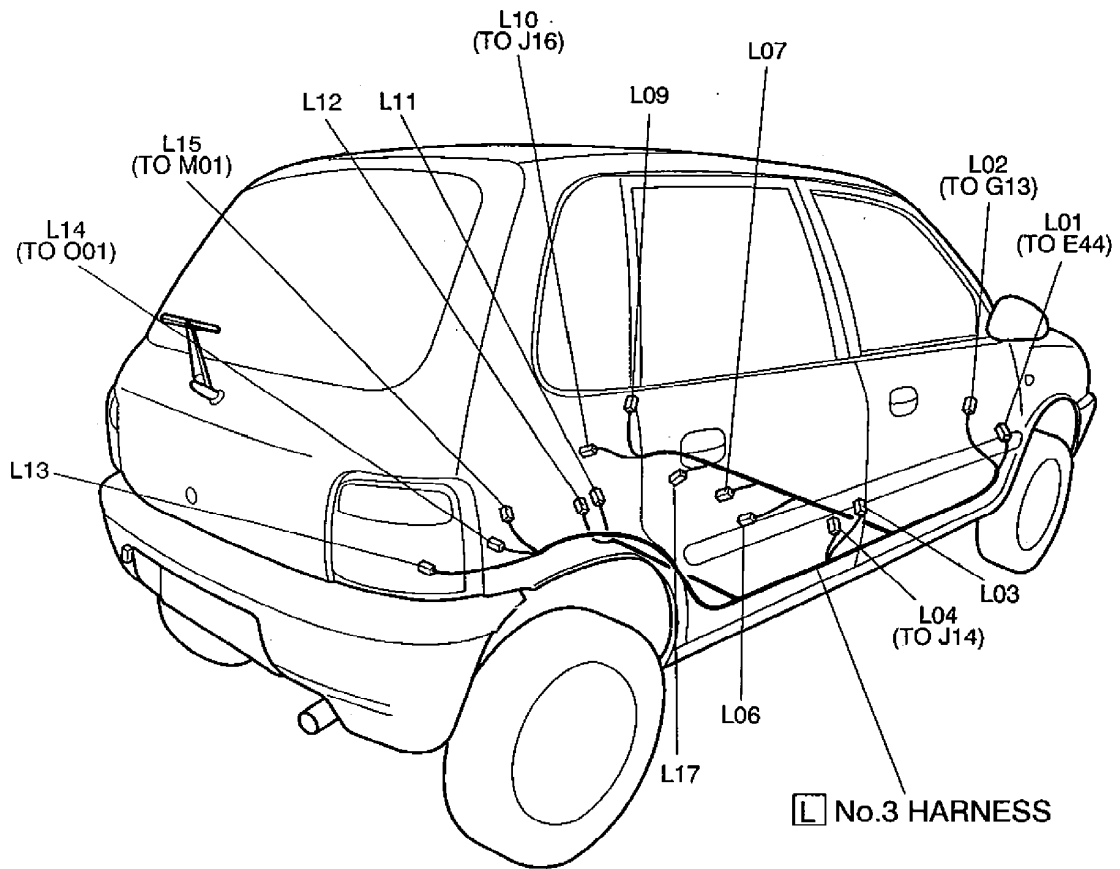


CONNECTOR	CONNECTIVE POSITION
SPEAKER WIRE	
J02	No.1 HARNESS (TO E53)
J04	SPEAKER (DRIVER SIDE)
J08	No.1 HARNESS (TO E26)
J10	SPEAKER (PASSENGER SIDE)
POWER WINDOW MAIN WIRE	
J01	No.1 HARNESS (TO E52)
J02	No.1 HARNESS (TO E53)
J03	FRONT POWER WINDOW MOTOR (R)
J04	SPEAKER (DRIVE SIDE)
J05	POWER WINDOW MAIN SWITCH
J06	KEY SWITCH
POWER WINDOW SUB WIRE	
J07	FLOOR HARNESS (TO E27)
J08	No.1 HARNESS (TO E26)
J09	FRONT POWER WINDOW MOTOR (L)
J10	SPEAKER (PASSENGER SIDE)
J11	POWER WINDOW SUB SWITCH
J12	FRONT DOOR LOCK MOTOR (L)
REAR DOOR WIRE	
J14	No.3 HARNESS (TO L04)
J15	REAR DOOR LOCK MOTOR (R)
J16	No.3 HARNESS (TO L10)
J17	REAR DOOR LOCK MOTOR (L)
DOME LAMP WIRE	
K01	No.1 HARNESS (TO E22)
K02	INTERIOR LIGHT

**L**

# FLOOR (RH)

**L: No.3 HARNESS**



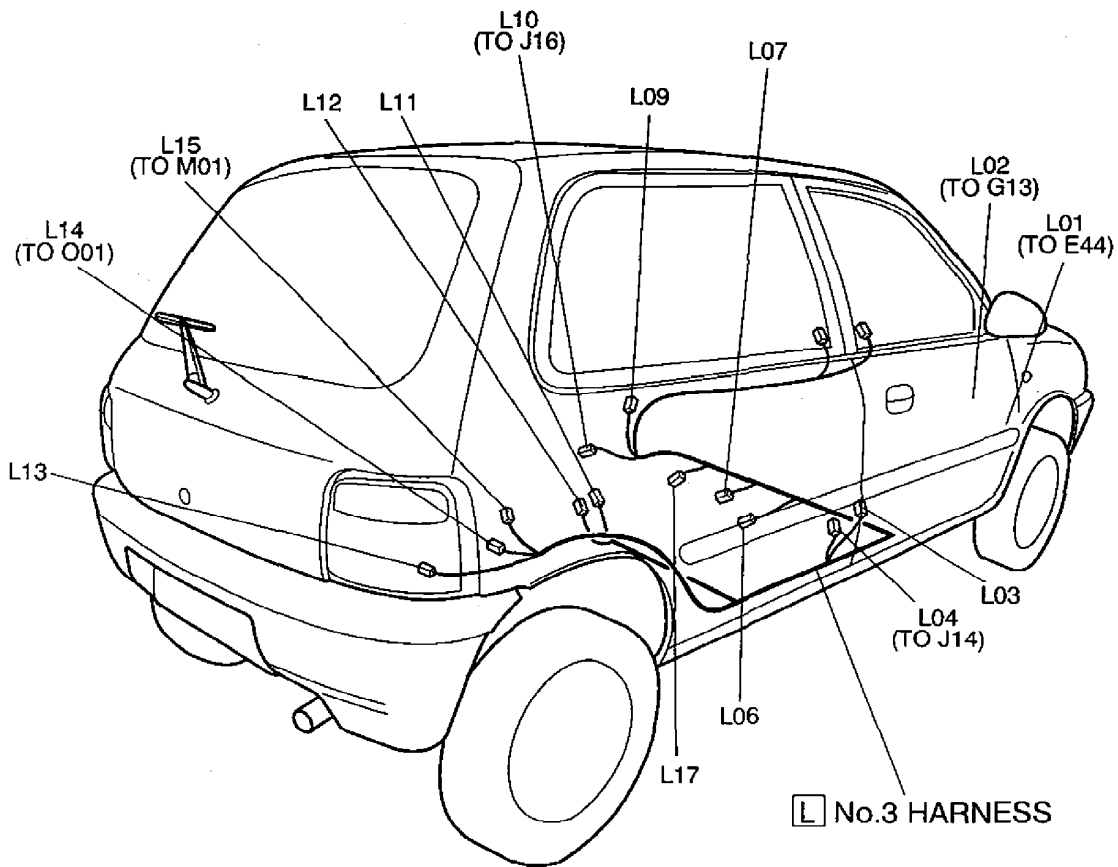


CONNECTOR	CONNECTIVE POSITION
No.3 HARNESS	
L01	No.1 HARNESS (TO E44)
L02	No.2 HARNESS (TO G13)
L03	DOOR SWITCH (R)
L04	REAR DOOR WIRE (TO J14)
L06	SHIFT ILLUMINATION LIGHT
L07	PARKING SWITCH
L09	DOOR SWITCH (L)
L10	POWER WINDOW SUB WIRE (TO J16)
L11	FUEL PUMP
L12	FUEL GAUGE
L13	REAR COMBINATION LIGHT (R)
L14	HATCH DOOR HARNESS (TO O01)
L15	No.4 HARNESS (TO M01)
L17	HEATED OXYGEN SENSOR #2

**L**

# FLOOR (LH)

**L: No.3 HARNESS**



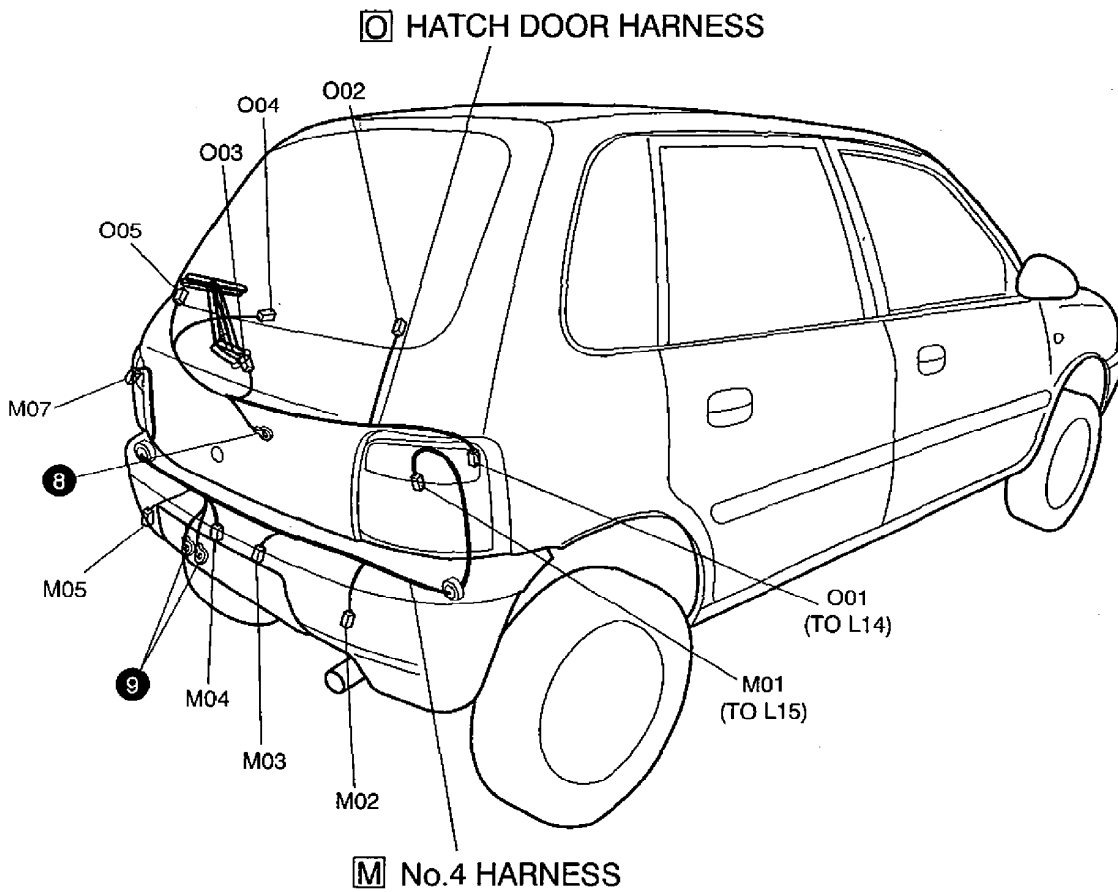
CONNECTOR	CONNECTIVE POSITION
No.3 HARNESS	
L01	No.1 HARNESS (TO E44)
L02	No.2 HARNESS (TO G13)
L03	DOOR SWITCH (R)
L04	REAR DOOR WIRE (TO J14)
L06	SHIFT ILLUMINATION LIGHT
L07	PARKING SWITCH
L09	DOOR SWITCH (L)
L10	POWER WINDOW SUB WIRE (TO J16)
L11	FUEL PUMP
L12	FUEL GAUGE
L13	REAR COMBINATION LIGHT (R)
L14	HATCH DOOR HARNESS (TO O01)
L15	No.4 HARNESS (TO M01)
L17	HEATED OXYGEN SENSOR #2

8A-3-44 CONNECTOR LAYOUT DIAGRAM

**M** **O** **REAR**

**M: No. 4 HARNESS**

**O: HATCH DOOR HARNESS**



CONNECTOR	CONNECTIVE POSITION
HATCH DOOR HARNESS	
O01	No.3 HARNESS (TO L14)
O02	REAR DEFOGGER (+)
O03	REAR WIPER MOTOR
O04	HIGH MOUNTED STOP LIGHT
O05	REAR DEFOGGER (-)
No.4 HARNESS	
M01	No.3 HARNESS (TO L15)
M02	REAR FOG LIGHT (R)
M03	LICENSE PLATE LIGHT (R)
M04	LICENSE PLATE LIGHT (L)
M05	REAR FOG LIGHT (L)
M07	REAR COMBINATION LIGHT (L)



**SECTION 8A-4**

**INSTALLATION POSITION OF SINGLE UNIT  
PARTS**

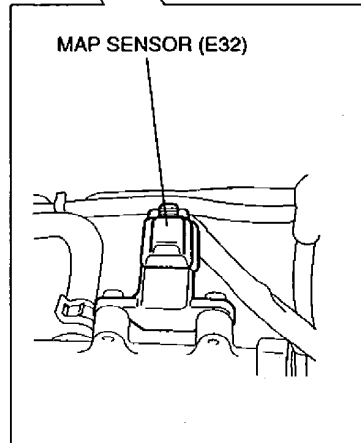
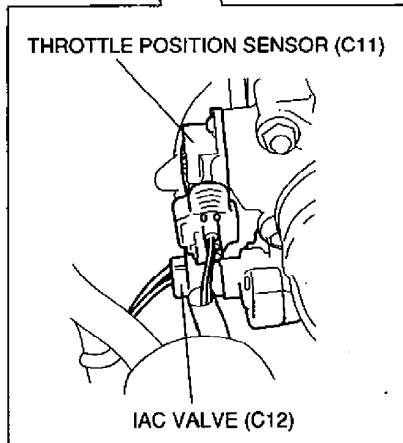
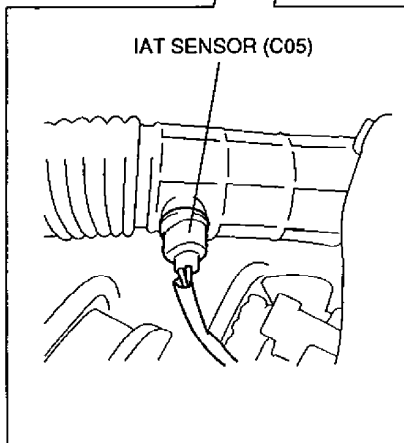
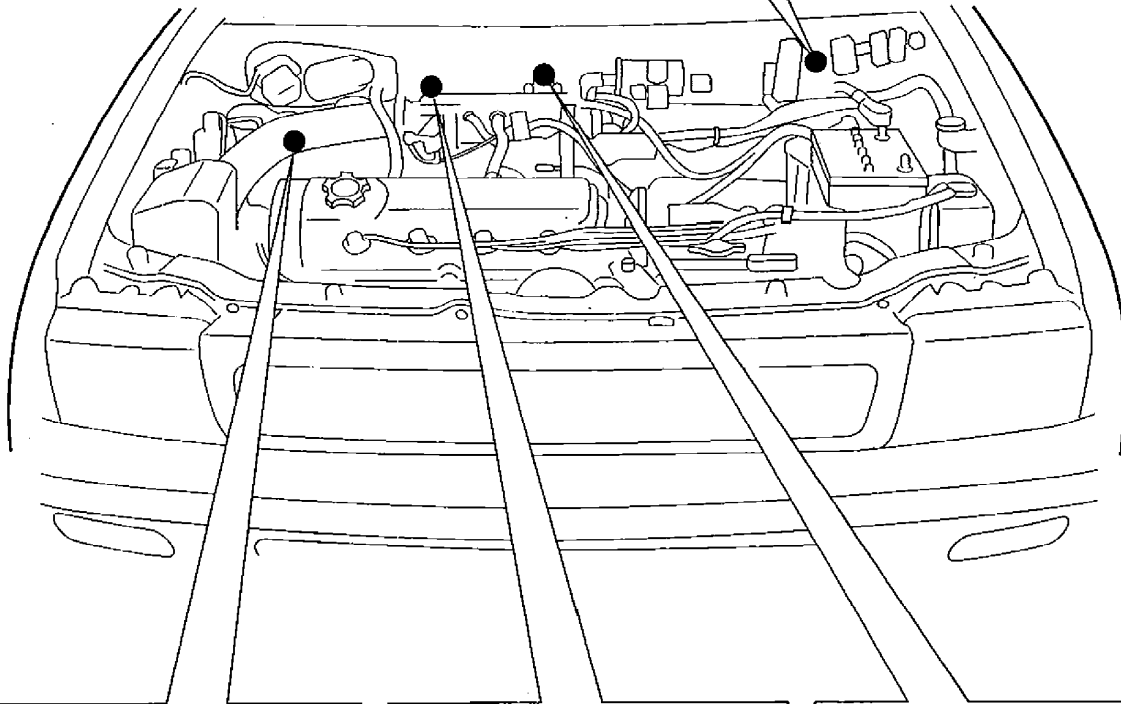
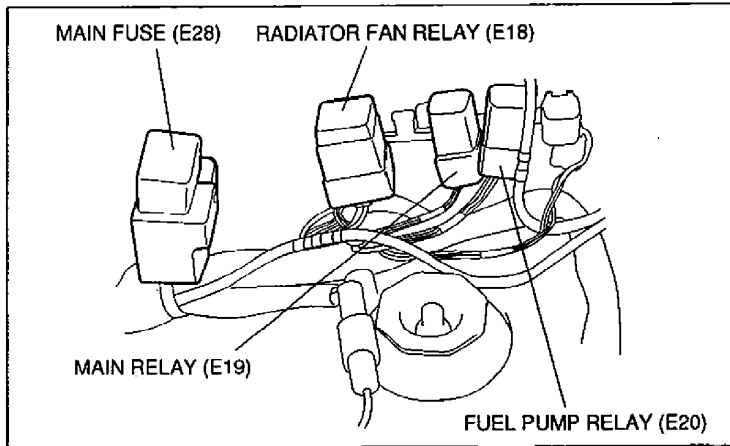
**CONTENTS**

ENGINE ROOM .....	8A-4-2
INSTRUMENT PANEL .....	8A-4-4

**8A-4**

8A-4-2 INSTALLATION POSITIONS OF SINGLE UNIT PARTS

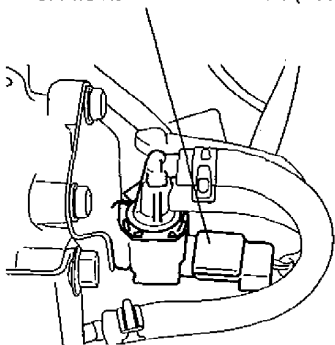
# ENGINE ROOM (MPI)



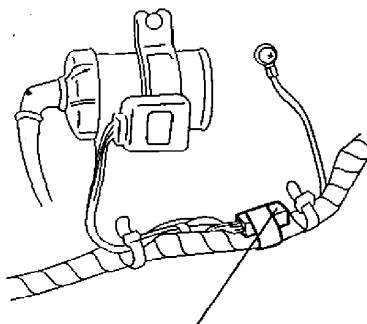


# ENGINE ROOM (MPI)

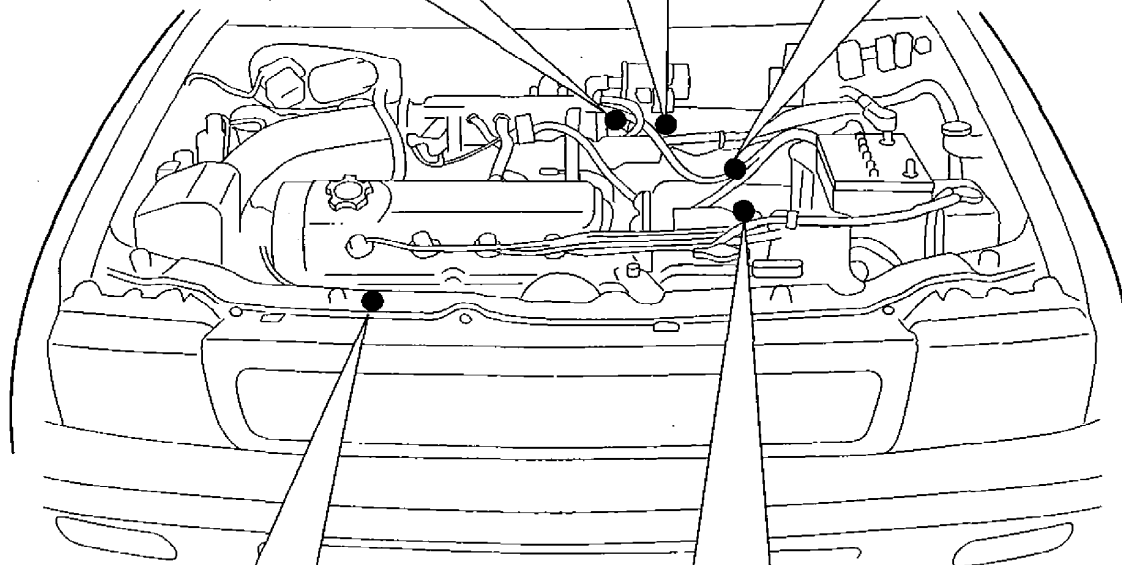
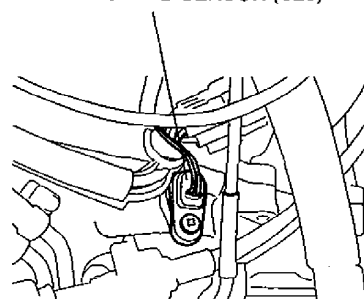
EVAP CANISTER PURGE VALVE (E33)



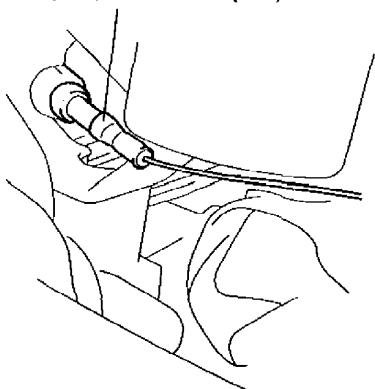
NOISE SUPPRESSOR (E29)



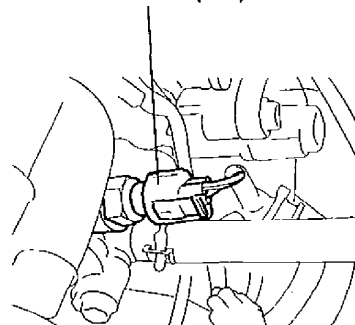
<AT> SPEED SENSOR (C23)



OXYGEN SENSOR (C07)

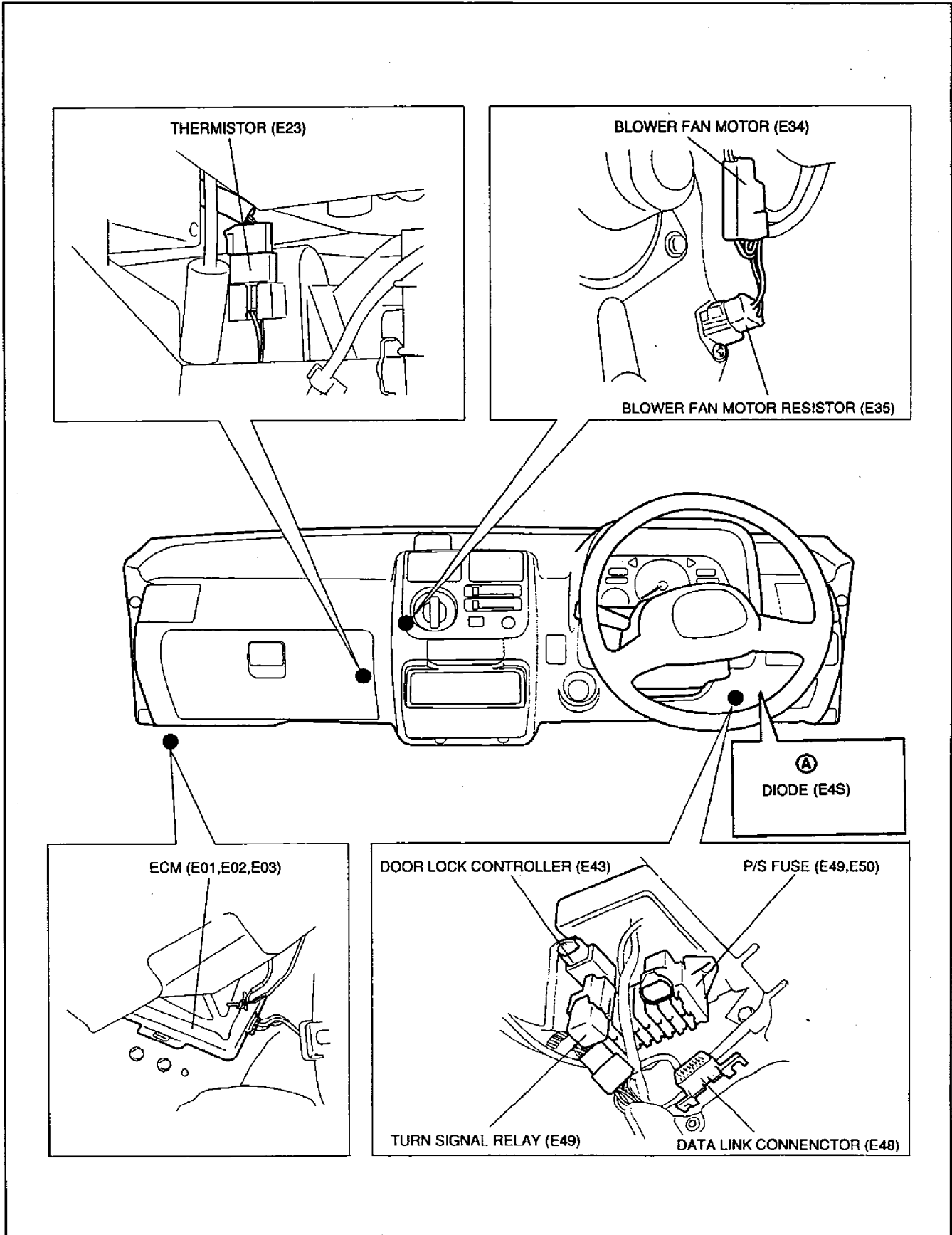


ECT SENSOR (C15)



8A-4-4 INSTALLATION POSITION OF SINGLE UNIT

# INSTRUMENT PANEL (MPI)



## SECTION 8A-5

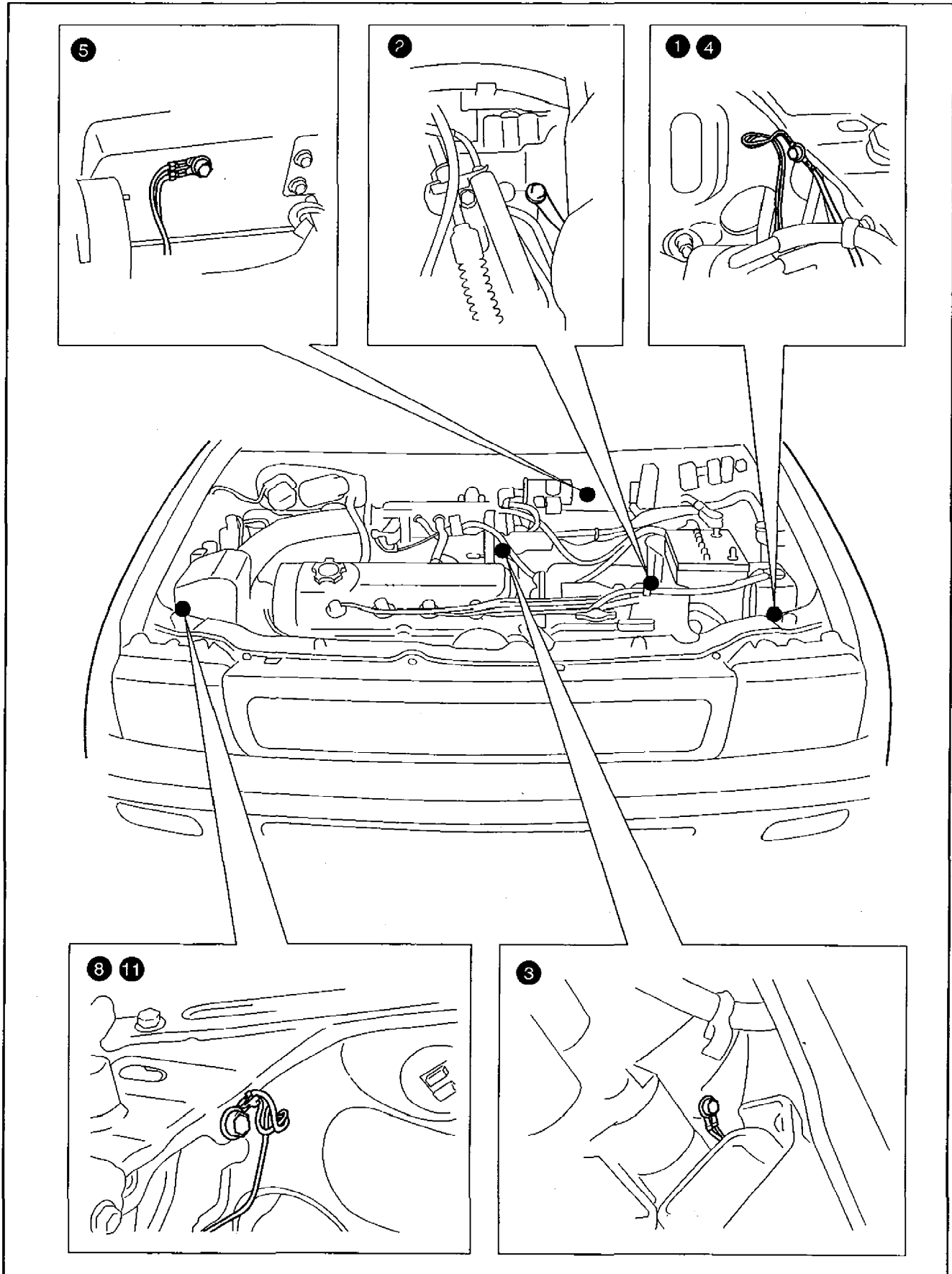
# GROUND POINT

### CONTENTS

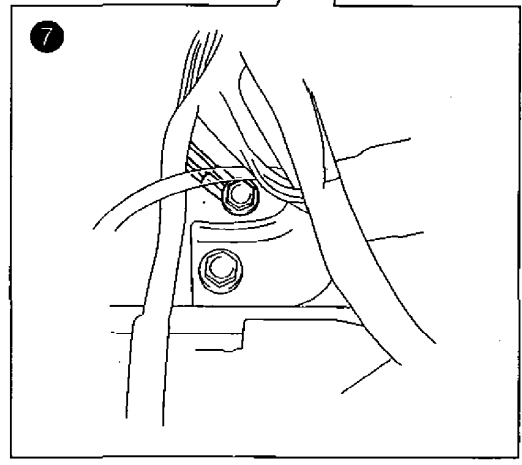
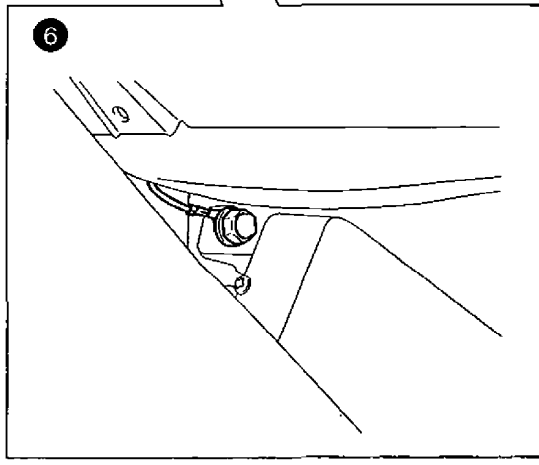
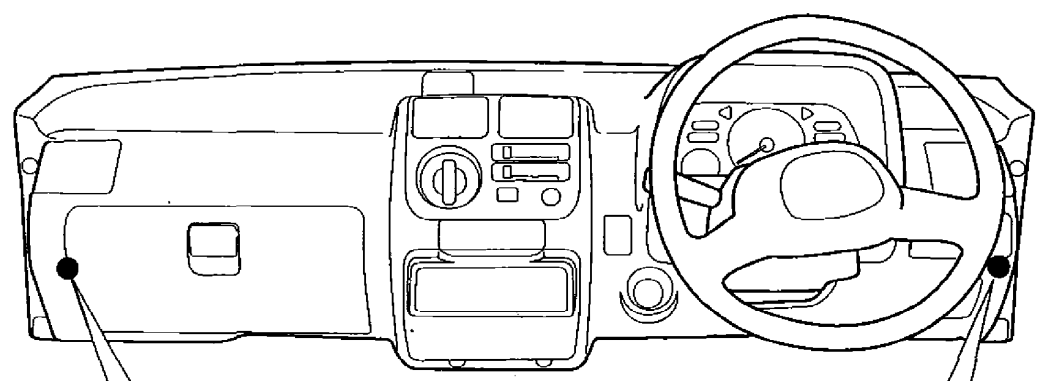
ENGINE ROOM .....	8A-5-2
INSTRUMENT PANEL .....	8A-5-3
FLOOR .....	8A-5-4

8A-5-2 GROUND POINT

# ENGINE ROOM

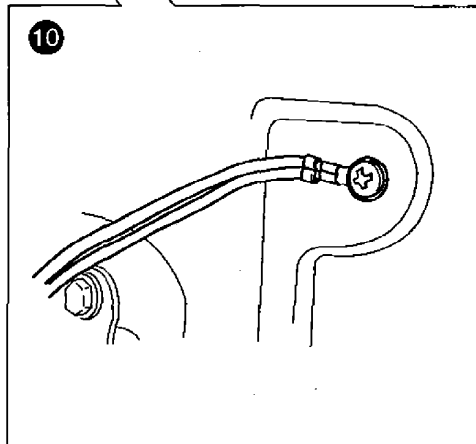
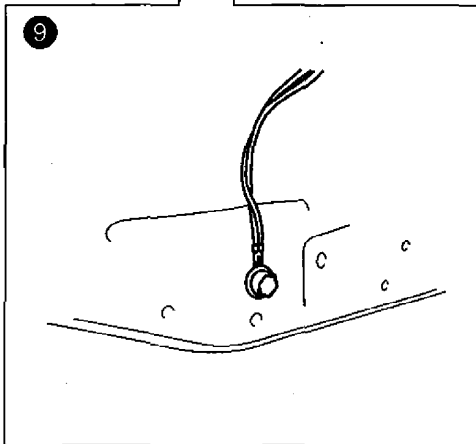
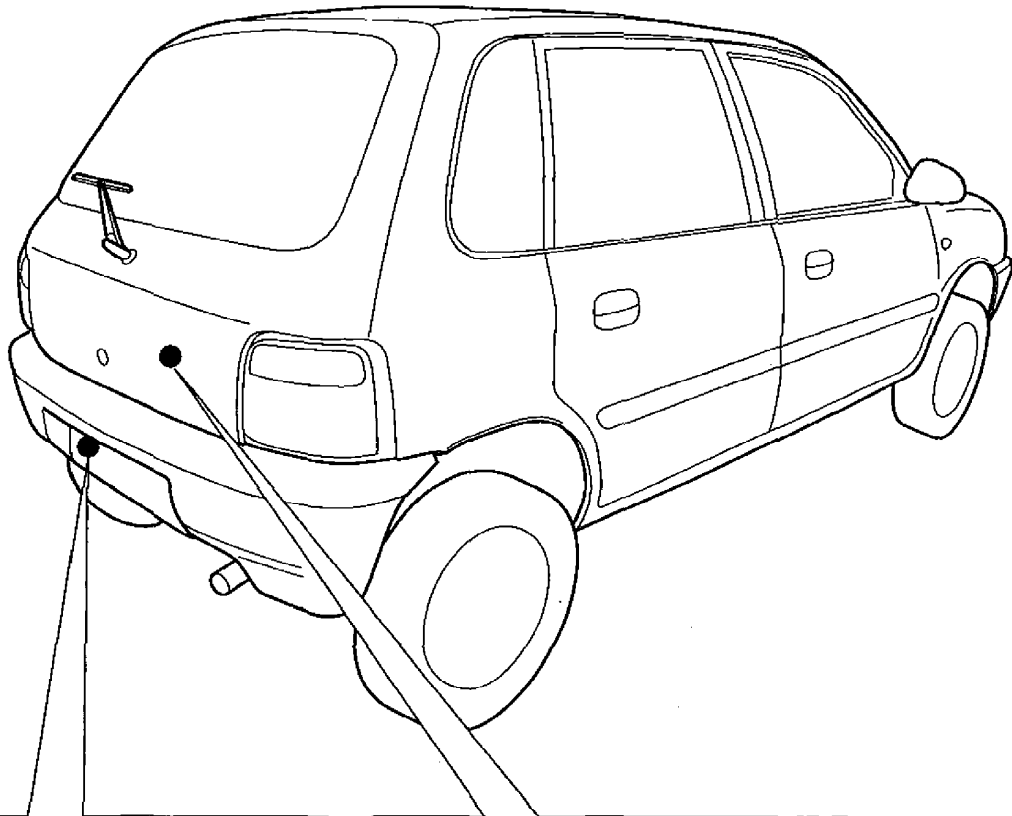


# INSTRUMENT PANEL



8A-5-4 GROUND POINT

**FLOOR**



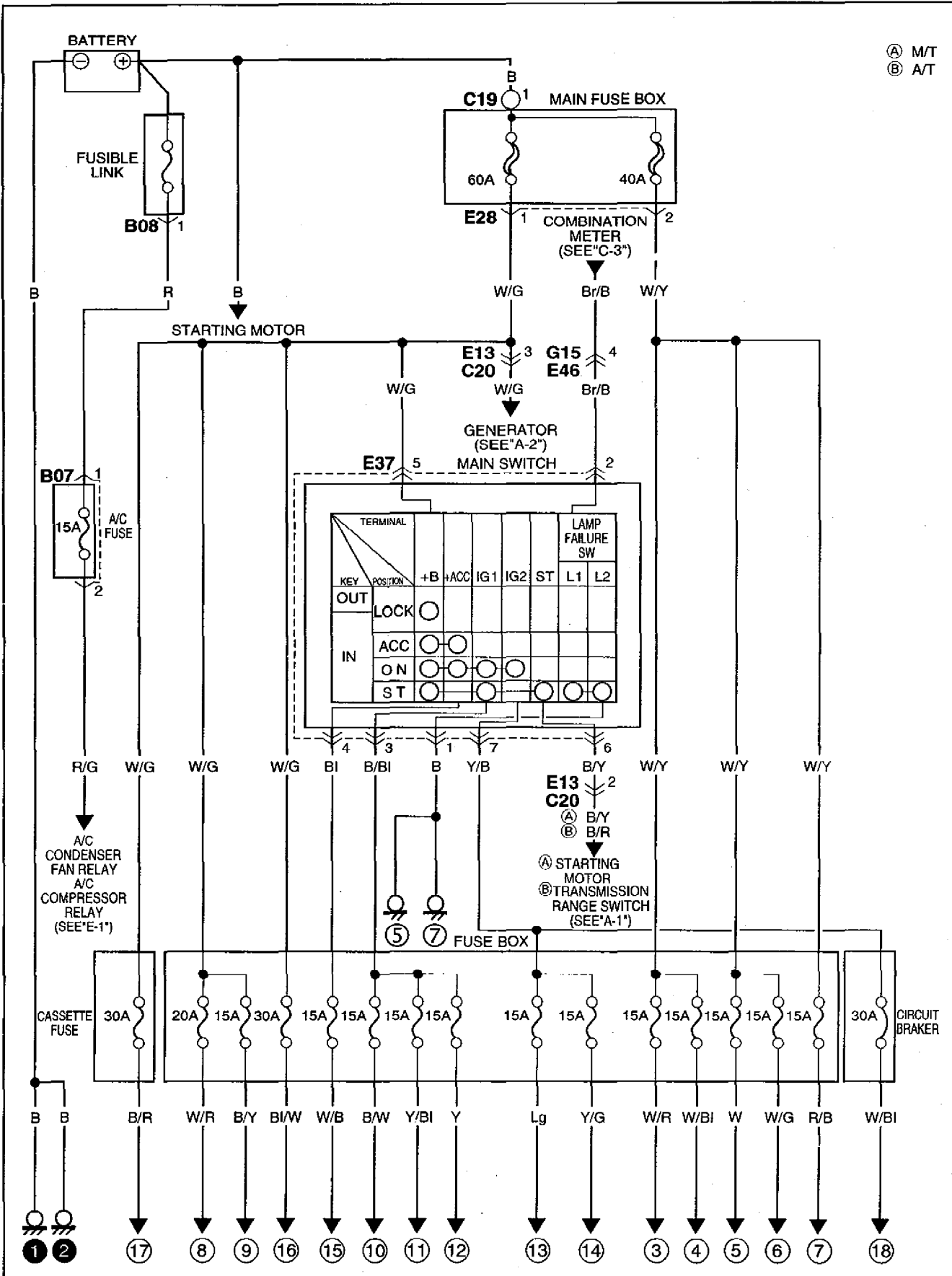
## SECTION 8A-6

# POWER SUPPLY DIAGRAM

## CONTENTS

POWER SUPPLY DIAGRAM .....	8A-6-2
FUSES .....	8A-6-3

# POWER SUPPLY DIAGRAM (MPI)

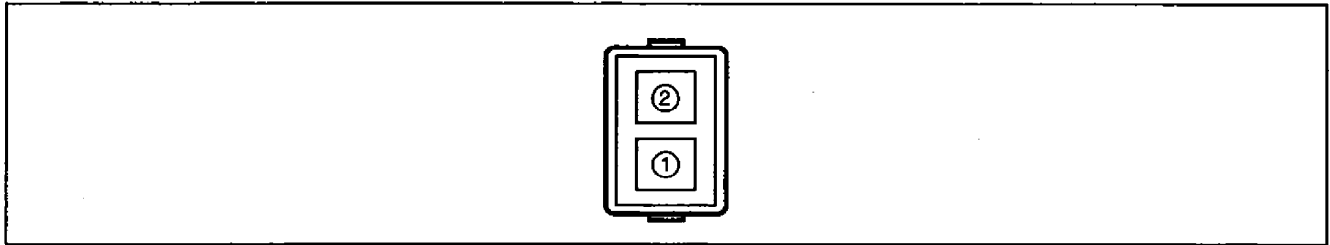




# FUSES

The chart below shows the circuits protected by each fuse.

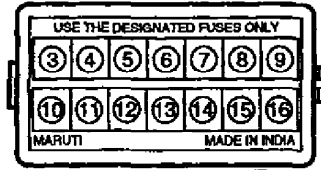
## FUSES IN MAIN FUSE BOX



No.	AMPERAGE	PROTECTED CIRCUIT
①	60A	BATTERY, 40A MAIN FUSE
②	40A	CIRCUIT FUSE

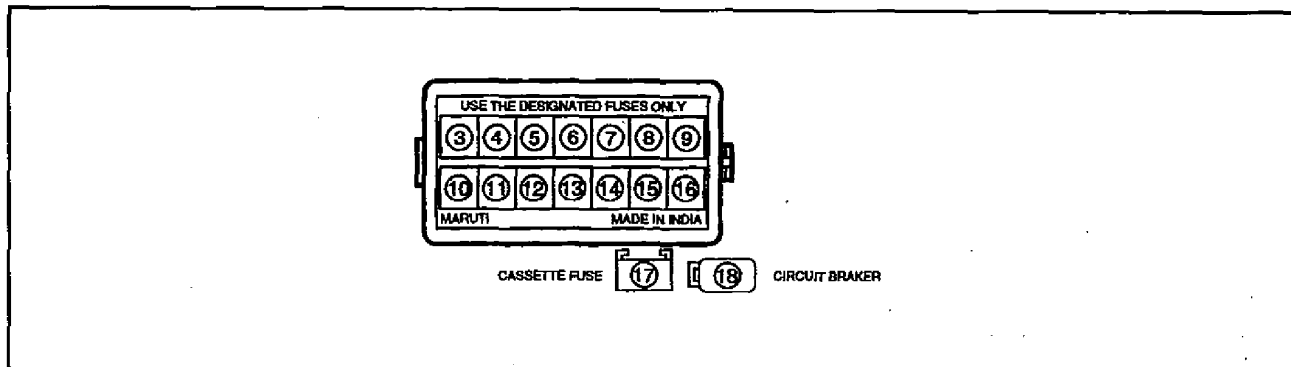
8A-6-4 POWER SUPPLY DIAGRAM

FUSES/CIRCUIT BRAKER IN CIRCUIT FUSE BOX (CARB)



NO.	AMPERAGE	DESCRIPTION ON THE COVER	PROTECTED CIRCUIT
③	15A	HEAD R-L	HEAD LIGHT
④	15A	HEAD R-L	COMBINATION METER HEAD LIGHT
⑤	15A	STOP. DOME	DATA LINK CONNECTOR INTERIOR LIGHT BRAKE LIGHT SWITCH REAR FOG LIGHT SWITCH
⑥	15A	HAZARD. HORN	ECM HORN COMBINATION SWITCH
⑦	15A	TAIL	COMBINATION SWITCH
⑧	20A	DOOR LOCK	DOOR LOCK CONTROLLER
⑨	BLANK		
⑩	15A	IG. COIL. METER	RADIATOR FAN SWITCH NOISE SUPPRESSOR ECM GENERATOR COMBINATION METER IGNITION COIL
⑪	15A	WIPER. WASHER	COMBINATION SWITCH FRONT WIPER MOTOR REAR WIPER & WASHER SWITCH REAR WIPER MOTOR
			TRANSMISSION RANGE SWITCH
⑫	15A	TURN BACK	COMBINATION SWITCH BACK-UP LIGHT SWITCH
⑬	15A	HEATER	BLOWER FAN MOTOR CIRCUIT BREAKER
⑭	15A	REAR DEFOGGER	REAR DEFOGGER SWITCH
⑮	15A	CIGAR. RADIO	CIGAR
⑯	30A	R-DTR. FAN	RADIATOR FAN RELAY
⑰	BLANK		
⑱	30A		POWER WINDOW

**FUSES/CIRCUIT BRAKER IN CIRCUIT FUSE BOX (MPI)**



NO.	AMPERAGE	DESCRIPTION ON THE COVER	PROTECTED CIRCUIT
③	15A	HEAD R-L	HEAD LIGHT
④	15A	HEAD R-L	COMBINATION METER HEAD LIGHT
⑤	15A	STOP DOME	DATA LINK CONNECTOR INTERIOR LIGHT BRAKE LIGHT SWITCH REAR FOG LIGHT SWITCH
⑥	15A	HAZARD. HORN	ECM HORN COMBINATION SWITCH
⑦	15A	TAIL	COMBINATION SWITCH
⑧	20A	DOOR LOCK	DOOR LOCK CONTROLLER
⑨	15A	FI	MAIN RELAY
⑩	15A	IG. COIL. METER	IGNITER, HEATED OXYGEN SENSOR NO. 2 NOISE SUPPRESSOR ECM GENERATOR COMBINATION METER IGNITION COIL FUEL PUMP RELAY IMMOBILIZER CONTROLLER
⑪	15A	WIPER. WASHER	COMBINATION SWITCH FRONT WIPER MOTOR REAR WIPER & WASHER SWITCH REAR WIPER MOTOR TRANSMISSION RANGE SWITCH
⑫	15A	TURN BACK	COMBINATION SWITCH BACK-UP LIGHT SWITCH
⑬	15A	HEATER	BLOWER FAN MOTOR CIRCUIT BREAKER
⑭	15A	REAR DEFOGGER	REAR DEFOGGER SWITCH
⑮	15A	CIGAR. RADIO	CIGAR
⑯	30A	R-DTR. FAN	RADIATOR FAN RELAY
⑰	BLANK		
⑱	30A		POWER WINDOW



SECTION 8A-7

SYSTEM CIRCUIT DIAGRAM

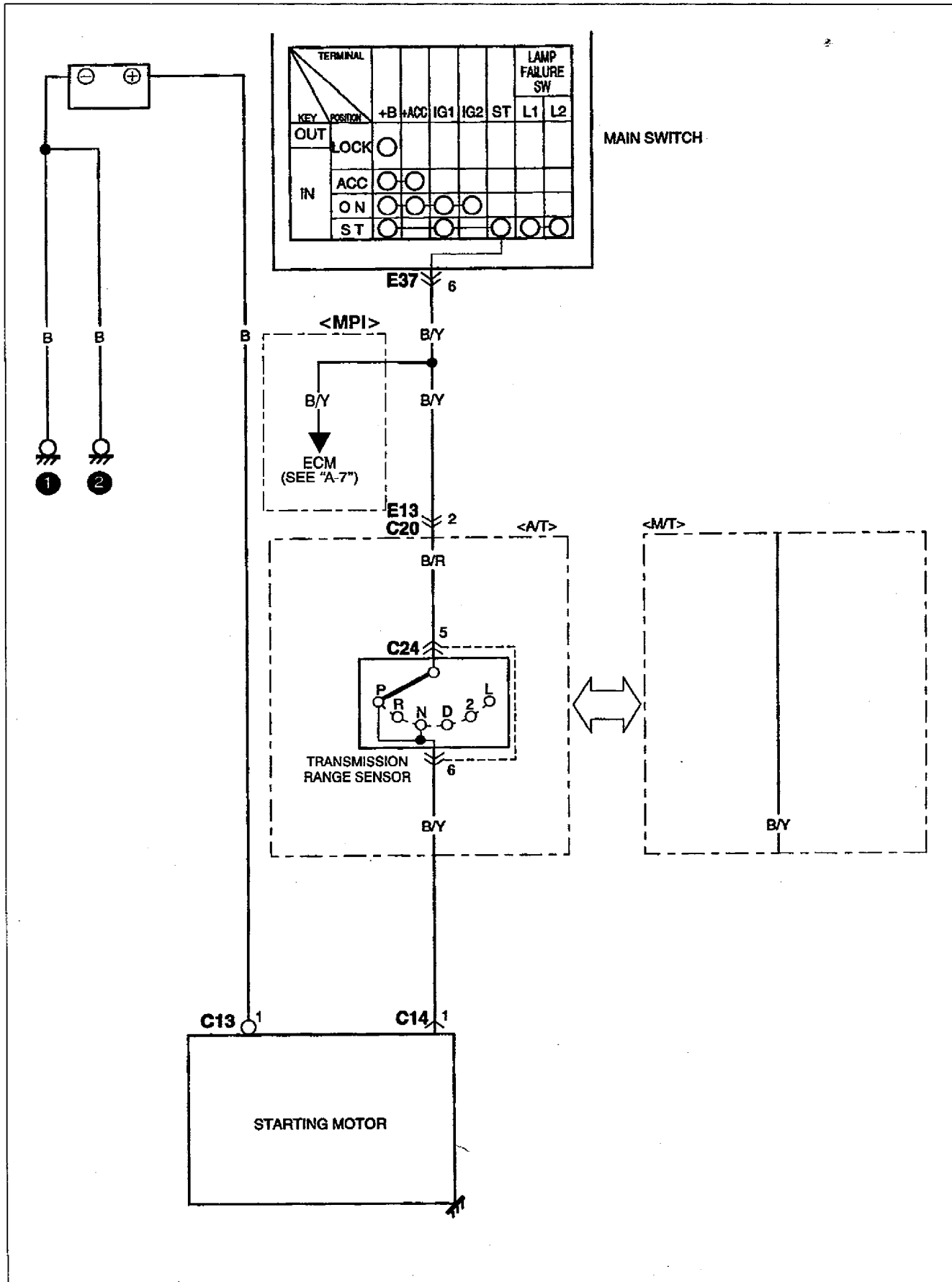
CONTENTS

SYSTEM NO.	SYSTEM	PAGE NO.
A-1	CRANKING SYSTEM.....	8A-7-2
A-2	CHARGING SYSTEM .....	8A-7-3
A-3	IGNITION SYSTEM (MPI) .....	8A-7-4
A-4	IGNITION SYSTEM (CARB) .....	8A-7-5
A-5	COOLING SYSTEM (MPI) .....	8A-7-6
A-6	COLLING SYSTEM (CARB) .....	8A-7-7
A-7	ENGINE & AT CONTROL SYSTEM.....	8A-7-8
A-8	ENGINE & CARB CONTROL SYSTEM .....	8A-7-14
B-1	WINDSHIELD WIPER & WSHER.....	8A-7-18
B-2	REAR WIPER & WASHER .....	8A-7-19
B-3	REAR DEFOGGER .....	8A-7-20
B-4	POWER WINDOW .....	8A-7-22
B-5	POWER DOOR LOCK .....	8A-7-24
B-6	HORN .....	8A-7-25
C-1	COMBINATION METER (METER & GAUGE) .....	8A-7-26
C-2	COMBINATION METER (INDICATOR LAMP) .....	8A-7-27
C-3	COMBINATION METER (WARNING LAMP).....	8A-7-28
D-1	HEADLIGHT SYSTEM (VEHICLE WITH DRL) .....	8A-7-30
D-2	HEADLIGHT SYSTEM (VEHICLE WITHOUT DRL).....	8A-7-32
D-3	POSITION, TAIL AND LICENSE PLATE LIGHT .....	8A-7-33
D-4	ILLUMINATION LAMP .....	8A-7-34
D-5	ROOM LIGHT .....	8A-7-35
D-6	TURN SIGNAL AND HAZARD WARNING LIGHT .....	8A-7-36
D-7	BRAKE LIGHT .....	8A-7-37
D-8	BACK-UP LIGHT (MPI) .....	8A-7-38
D-9	BACK-UP LIGHT (CARB) .....	8A-7-39
D-10	REAR FOG LIGHT .....	8A-7-40
E-1	HEATER SYSTEM (MPI).....	8A-7-42
E-2	HEATER SYSTEM (CARB) .....	8A-7-44
G-1	CLOCK .....	8A-7-46
G-2	CIGAR LIGHTER .....	8A-7-47
G-3	IMMOBILIZER CONTROL SYSTEM .....	8A-7-48
G-4	HEADLIGHT BEAM LEVELING SYSTEM .....	8A-7-49

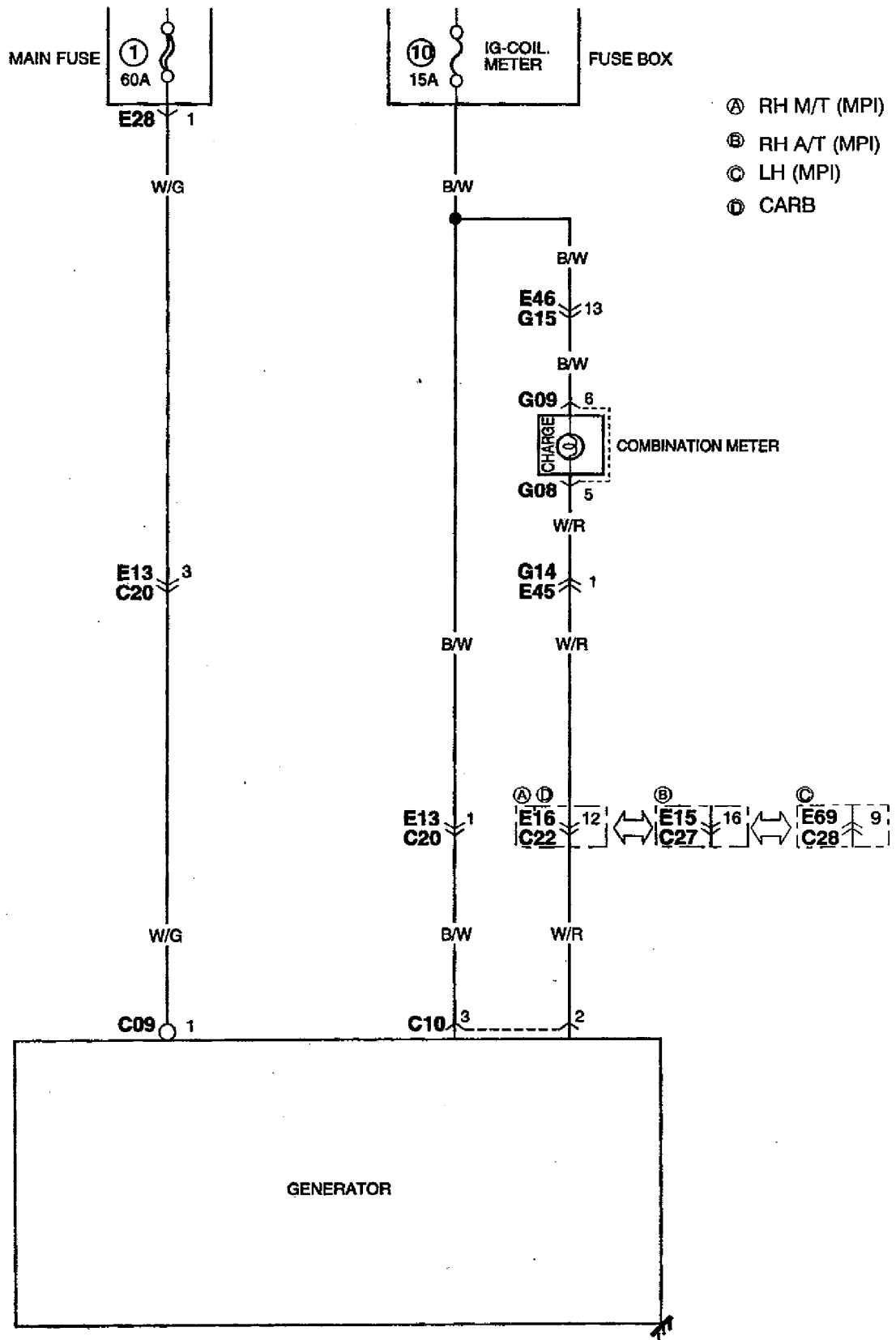
8A-7

8A-7-2 SYSTEM CIRCUIT DIAGRAM

**A-1 CRANKING SYSTEM**

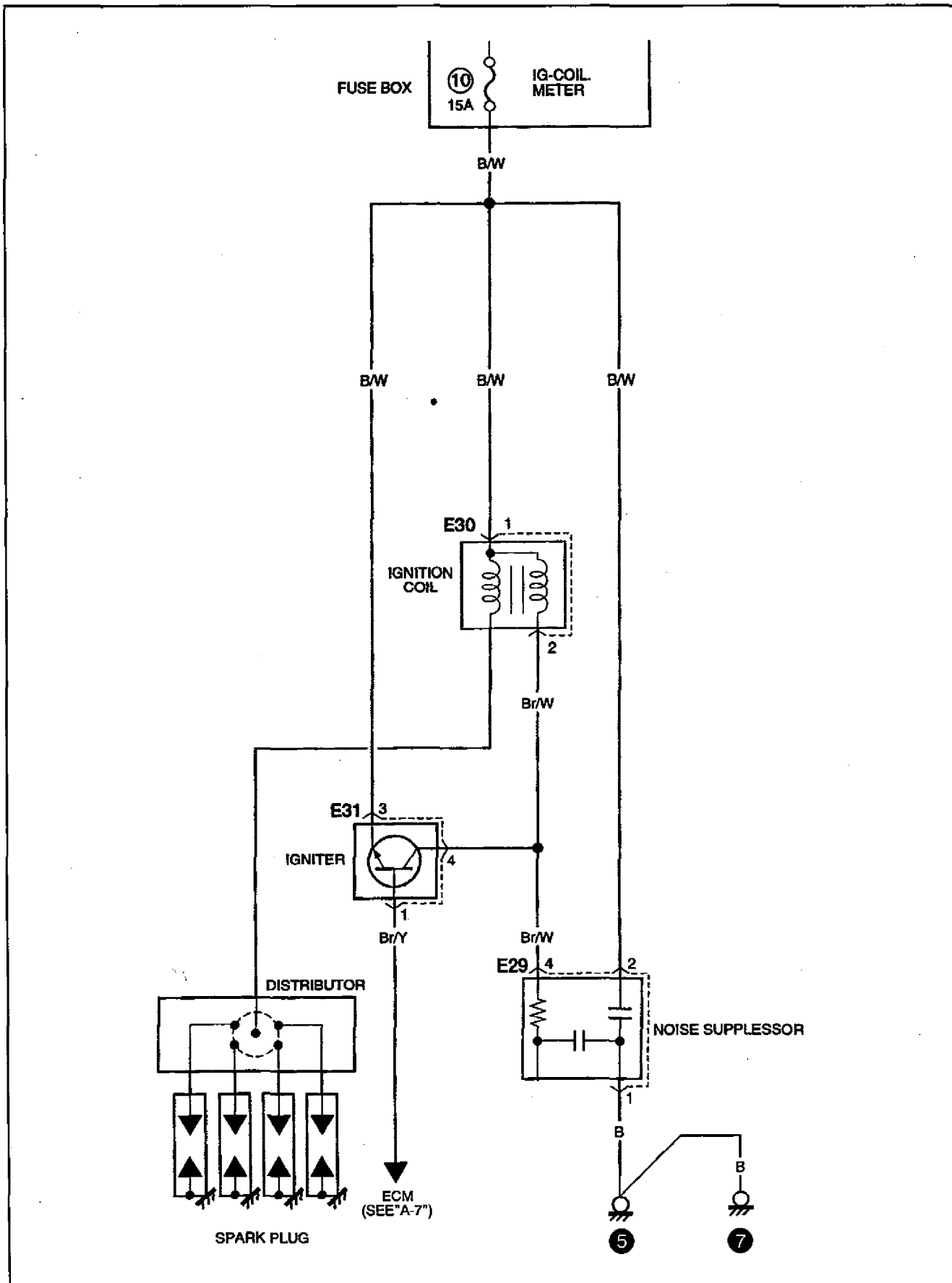


# A-2 CHARGING SYSTEM



8A-7-4 SYSTEM CIRCUIT DIAGRAM

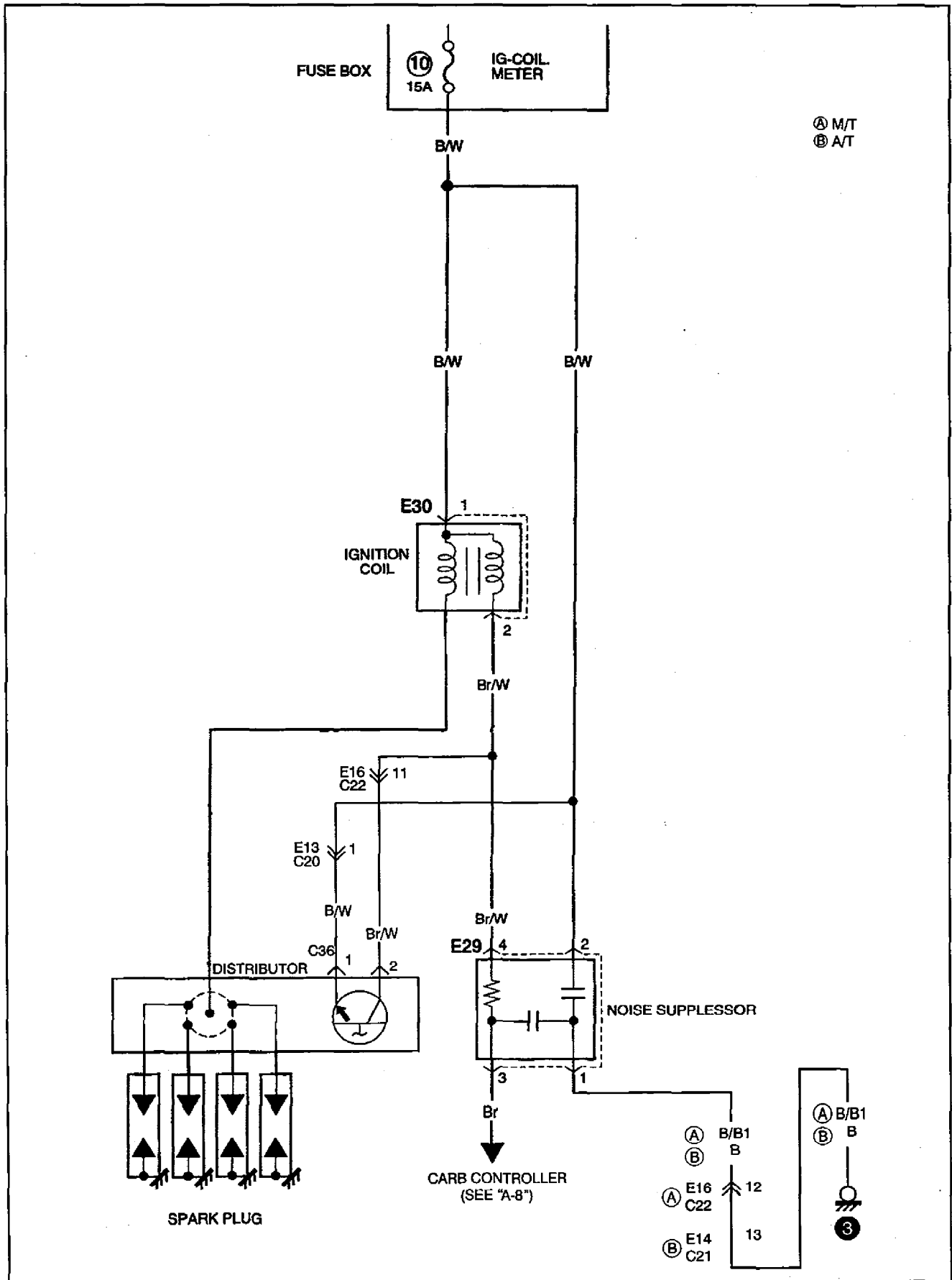
# A-3 IGNITION SYSTEM (MPI)





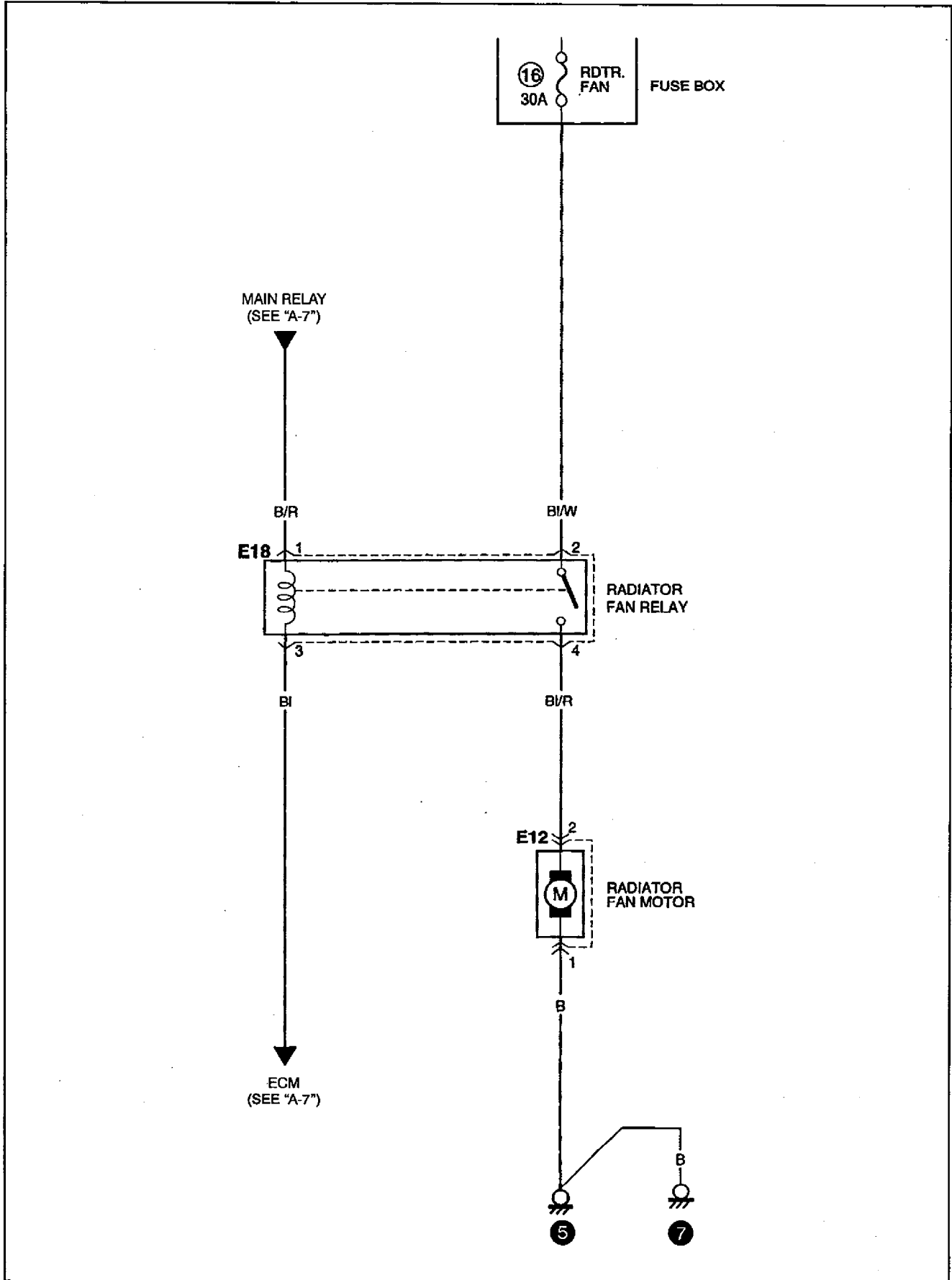
8A-7-5 SYSTEM CIRCUIT DIAGRAM

# A-4 IGNITION SYSTEM (CARB)

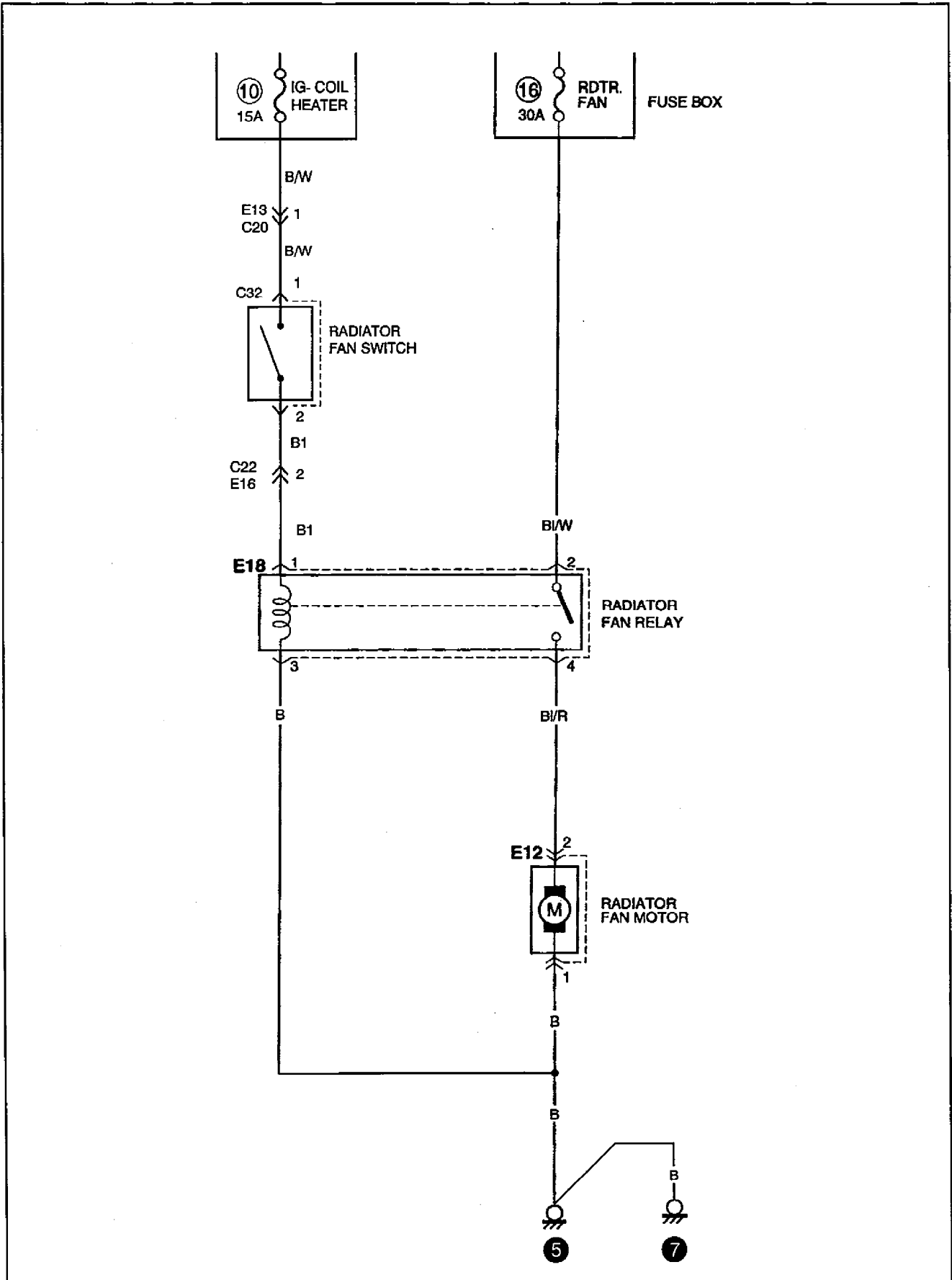


8A-7-6 SYSTEM CIRCUIT DIAGRAM

# A-5 COOLING SYSTEM (MPI)

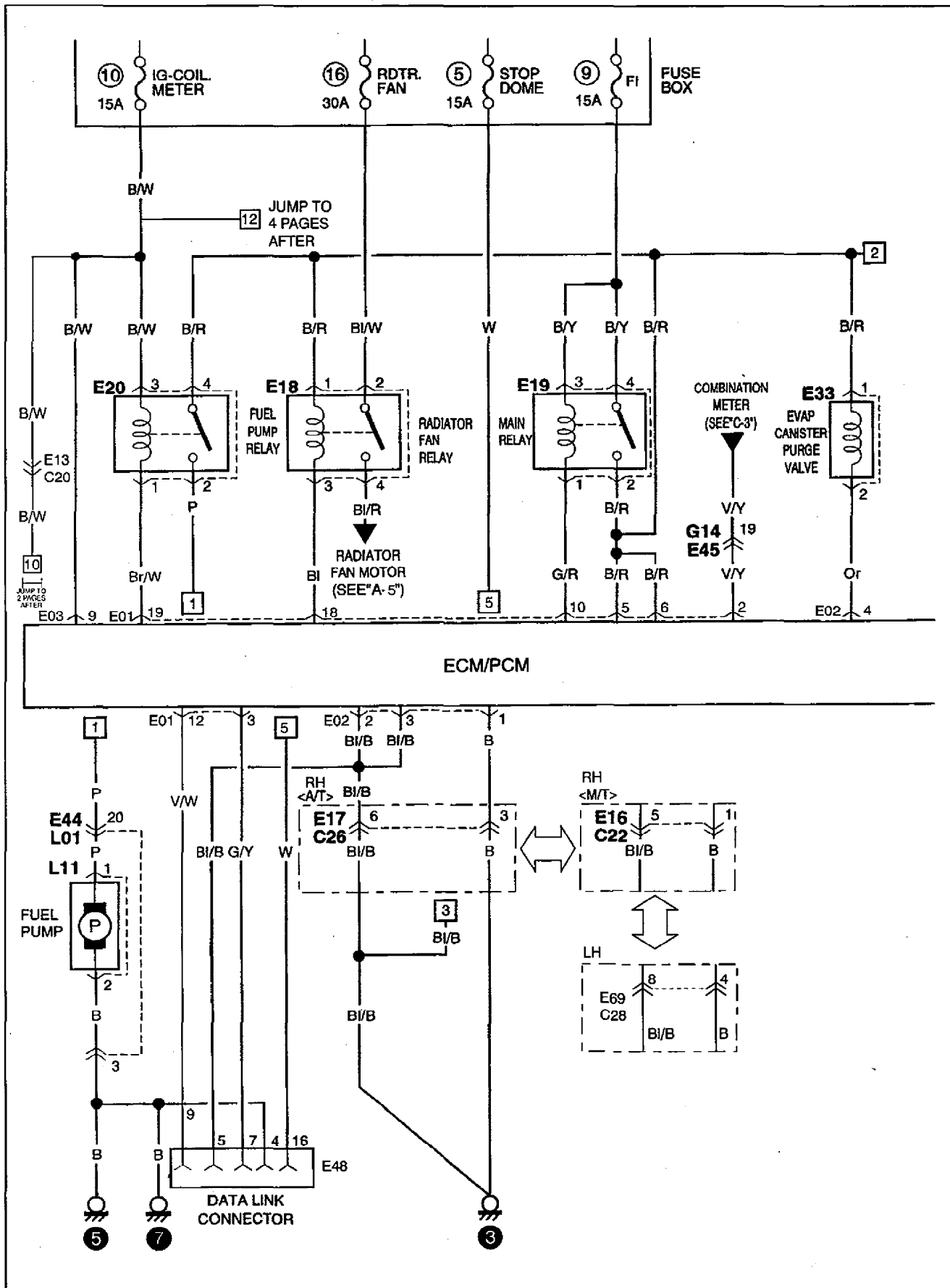


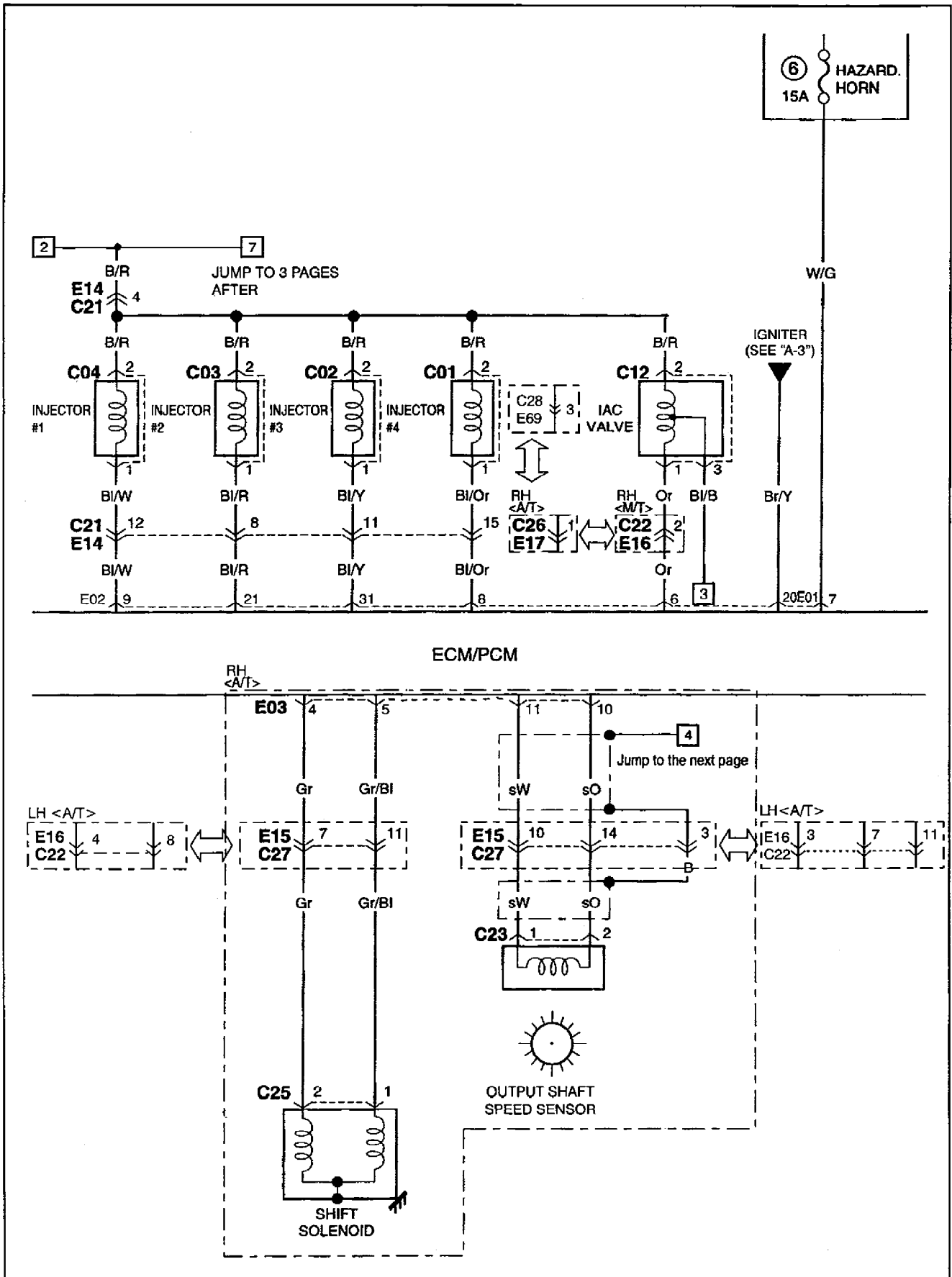
# A-6 COOLING SYSTEM (CARB)



8A-7-8 SYSTEM CIRCUIT DIAGRAM

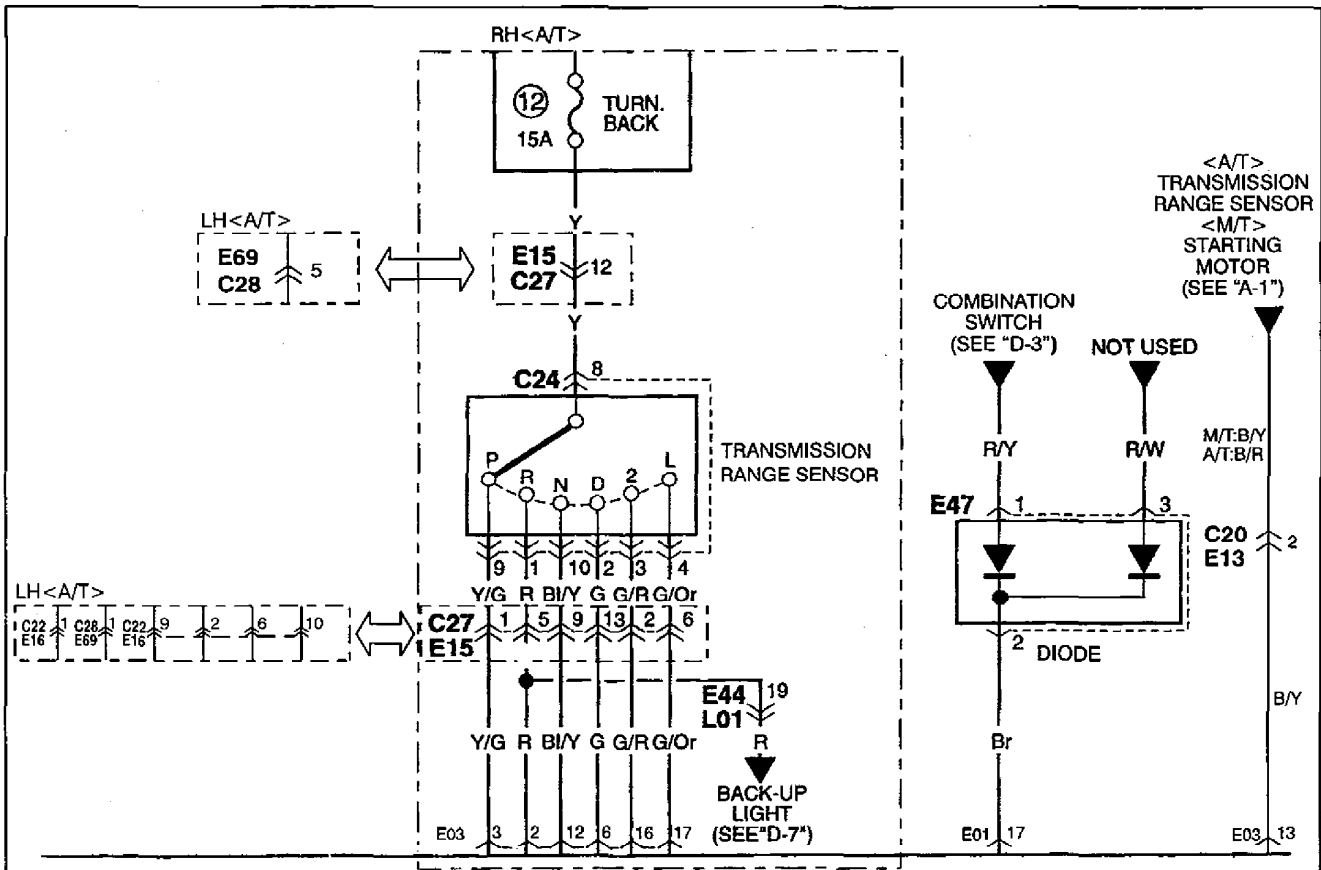
# A-7 ENGINE & AT CONTROL SYSTEM 1 OF 3 (MPI)



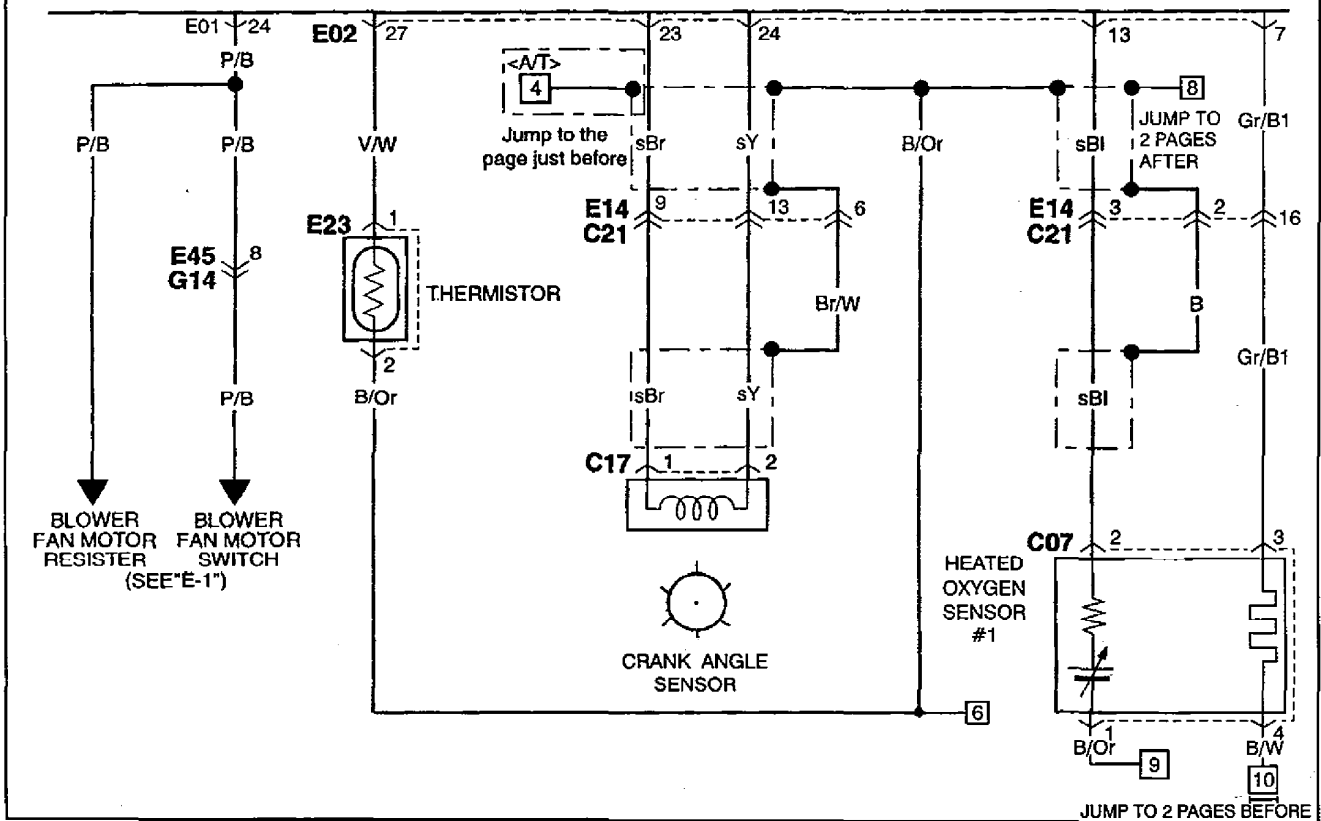


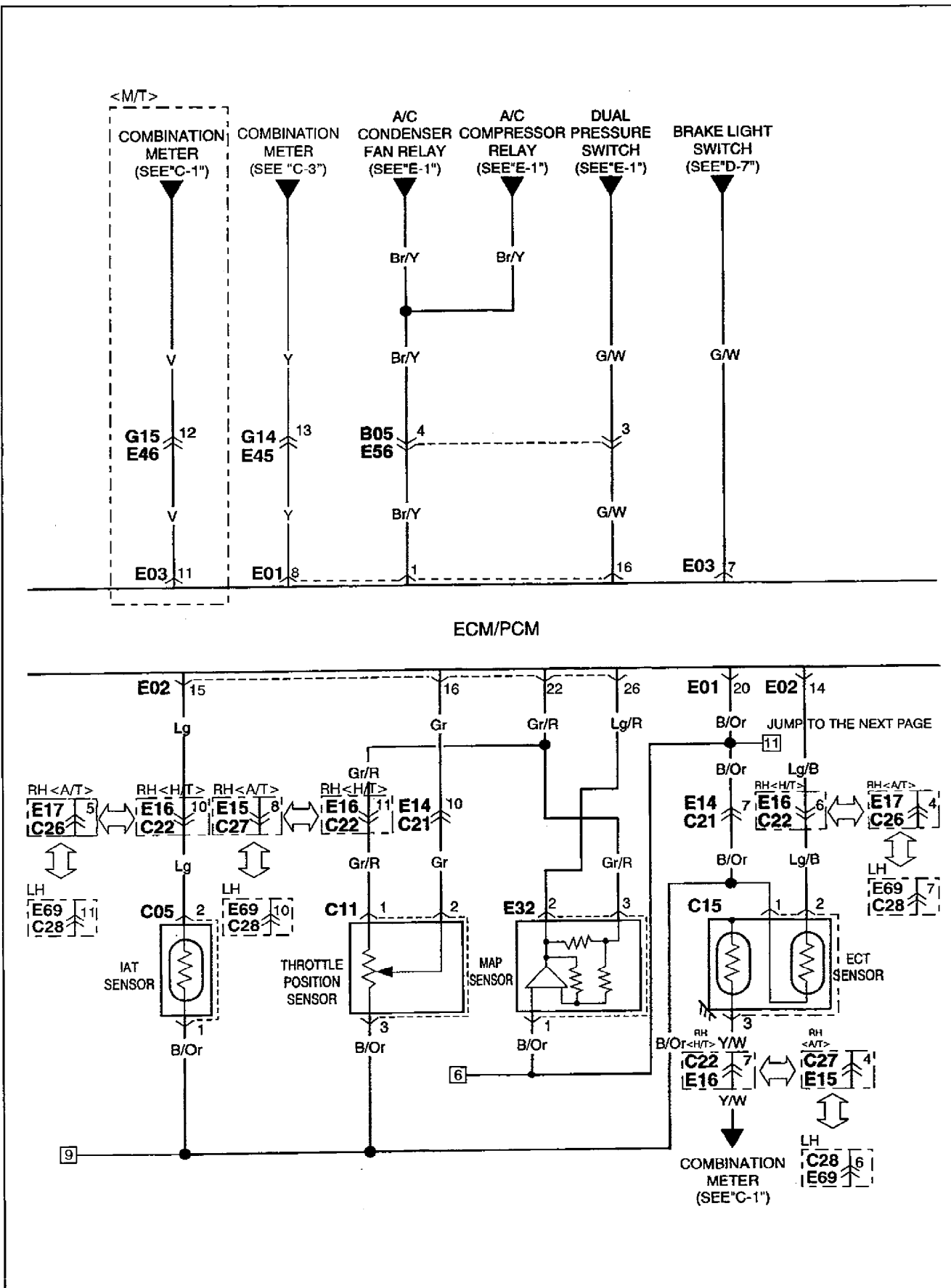
8A-7-10 SYSTEM CIRCUIT DIAGRAM

# A-7 ENGINE & AT CONTROL SYSTEM 2 OF 3 (MPI)

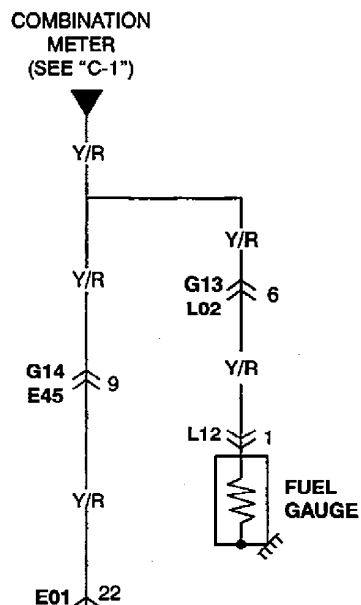
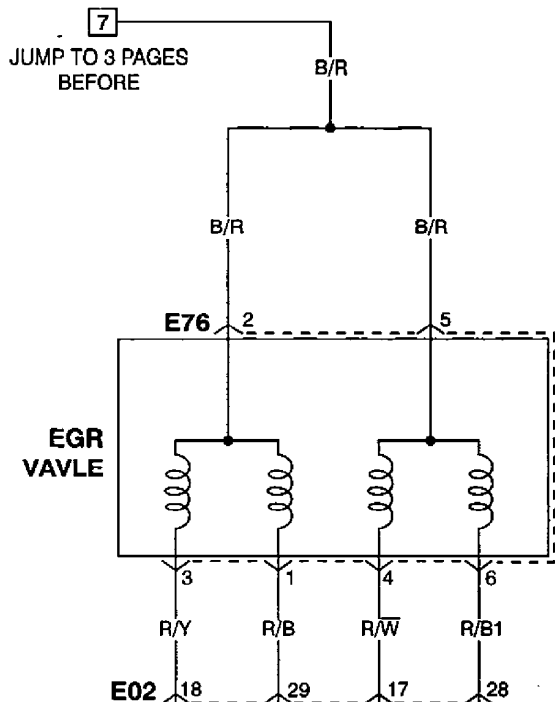


## ECM/PCM

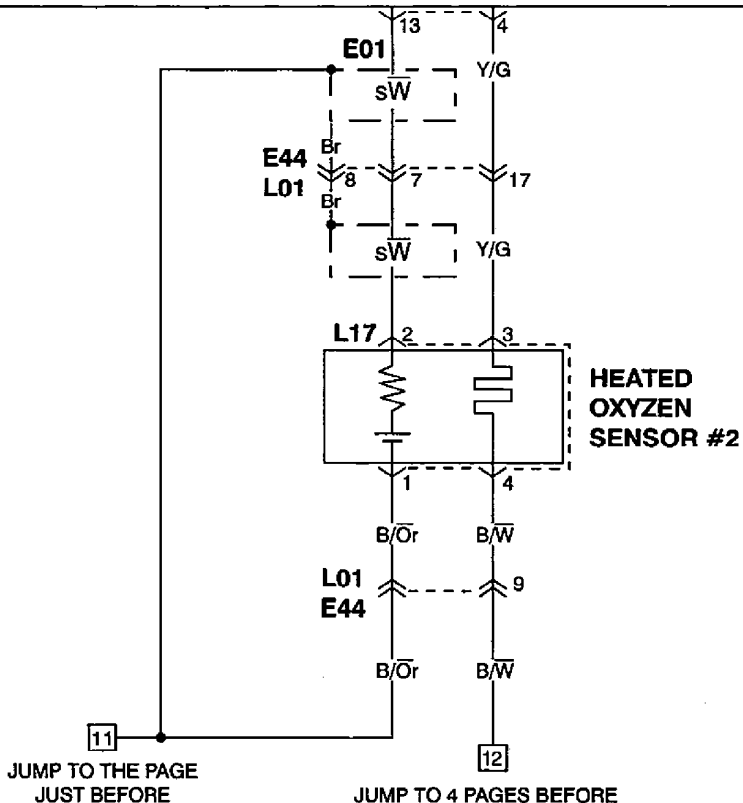
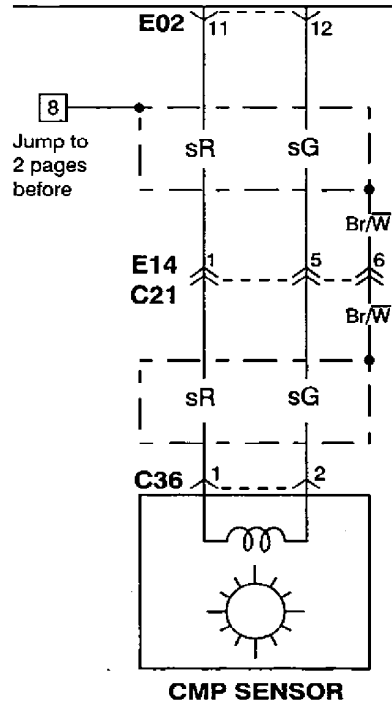




# A-7 ENGINE & AT CONTROL SYSTEM 3 OF 3 (MPI)



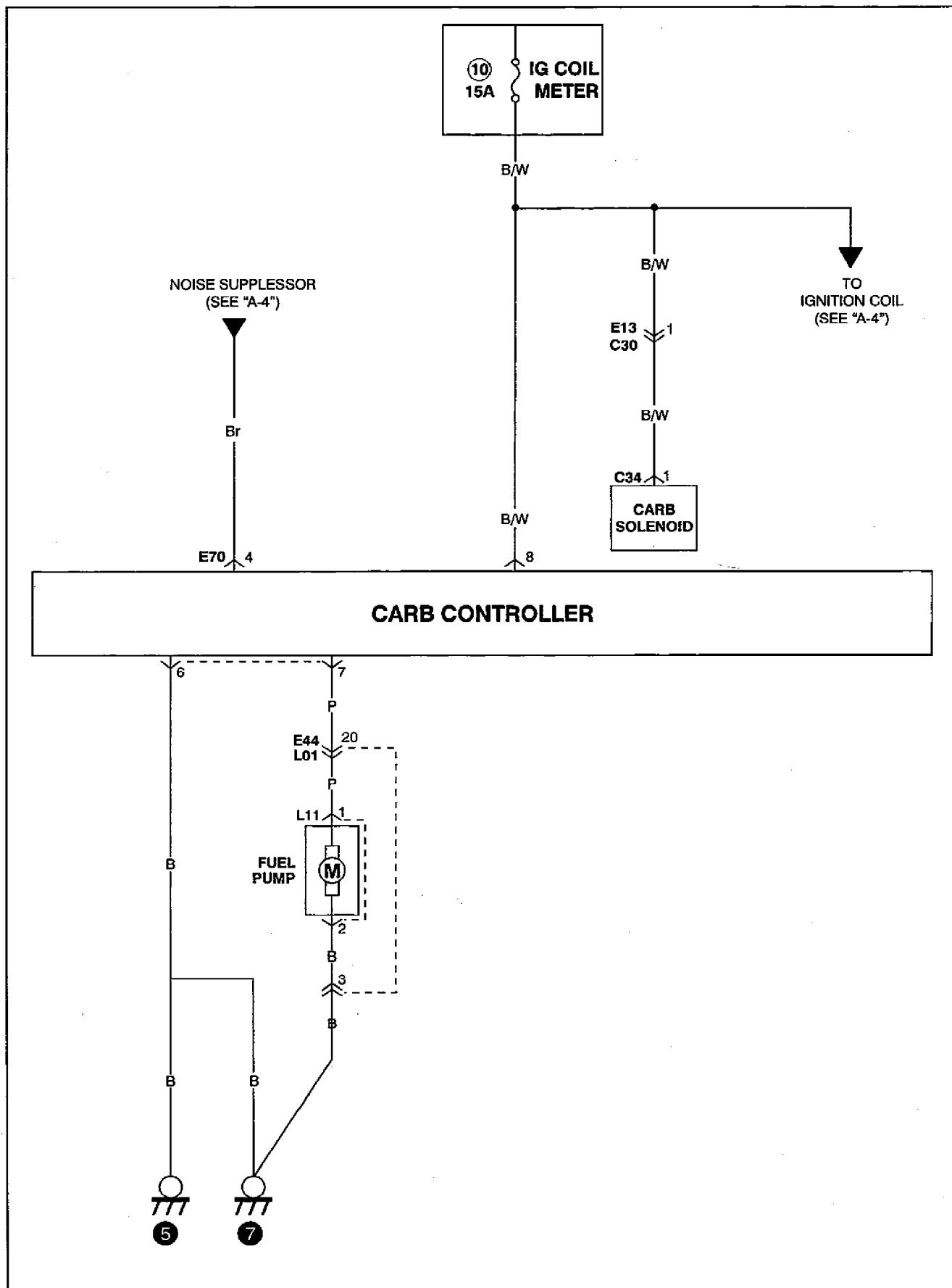
## ECM/PCM





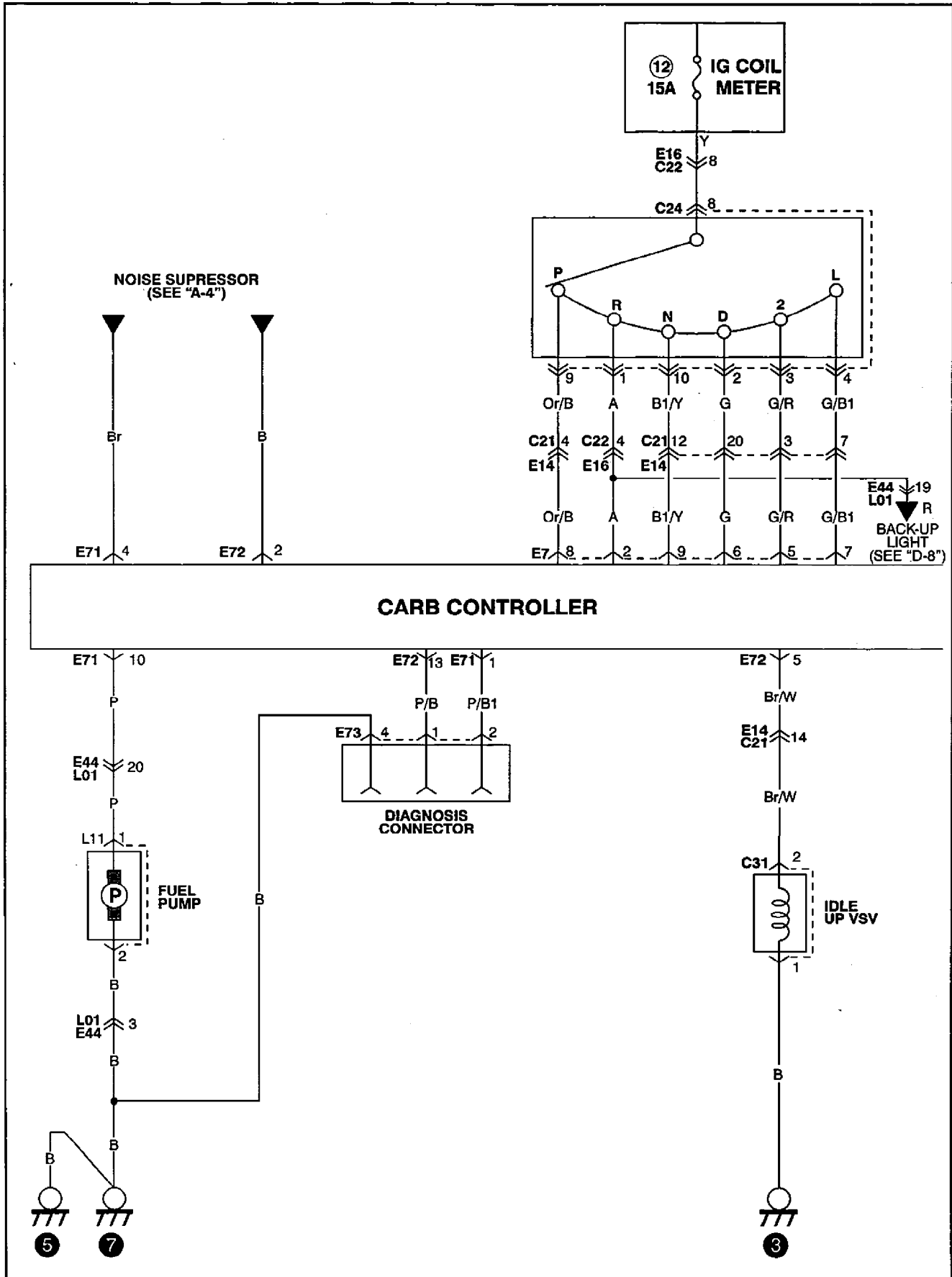
**MEMO**

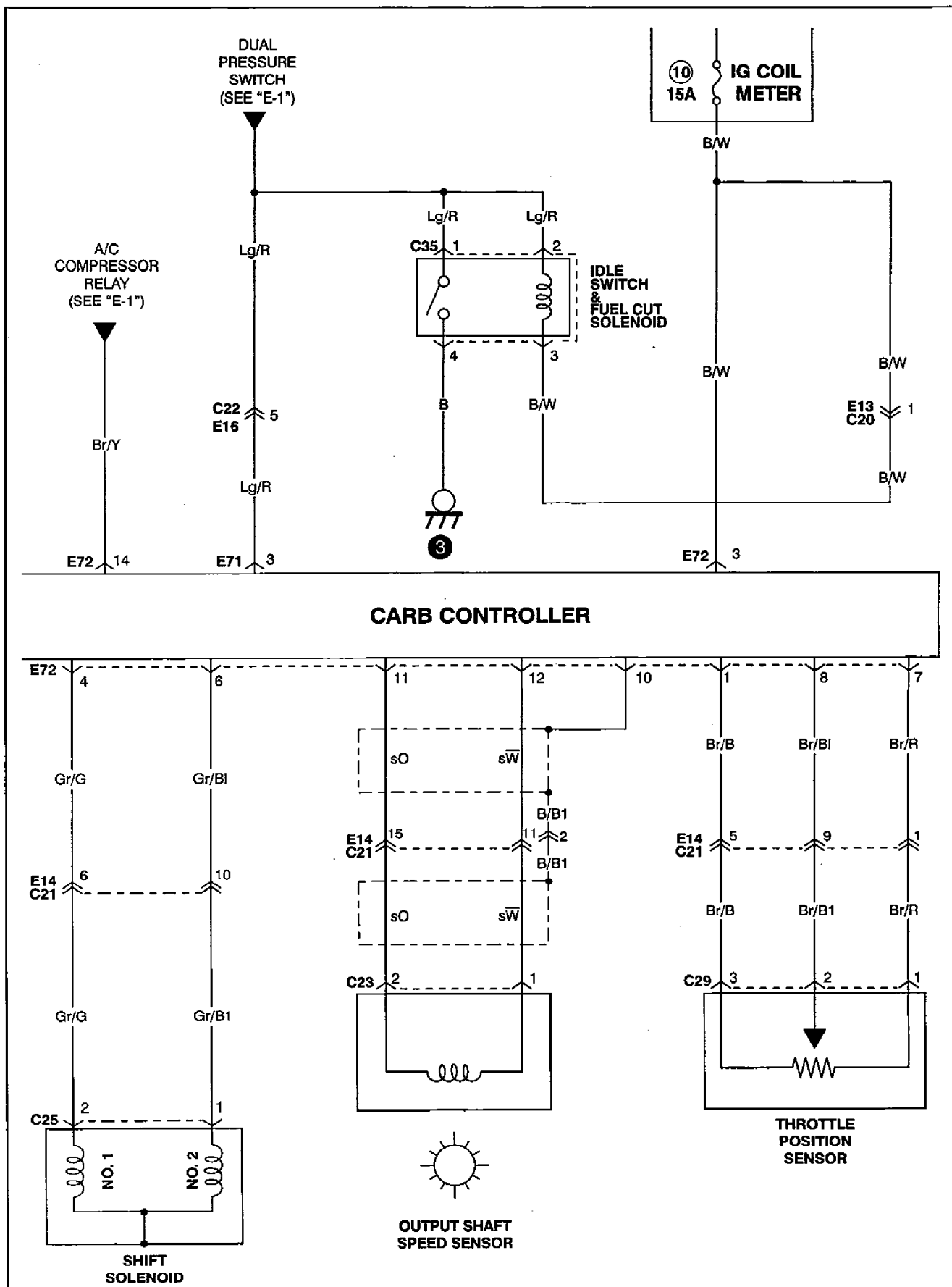
# A-8 ENGINE & CARB CONTROL SYSTEM (M/T)



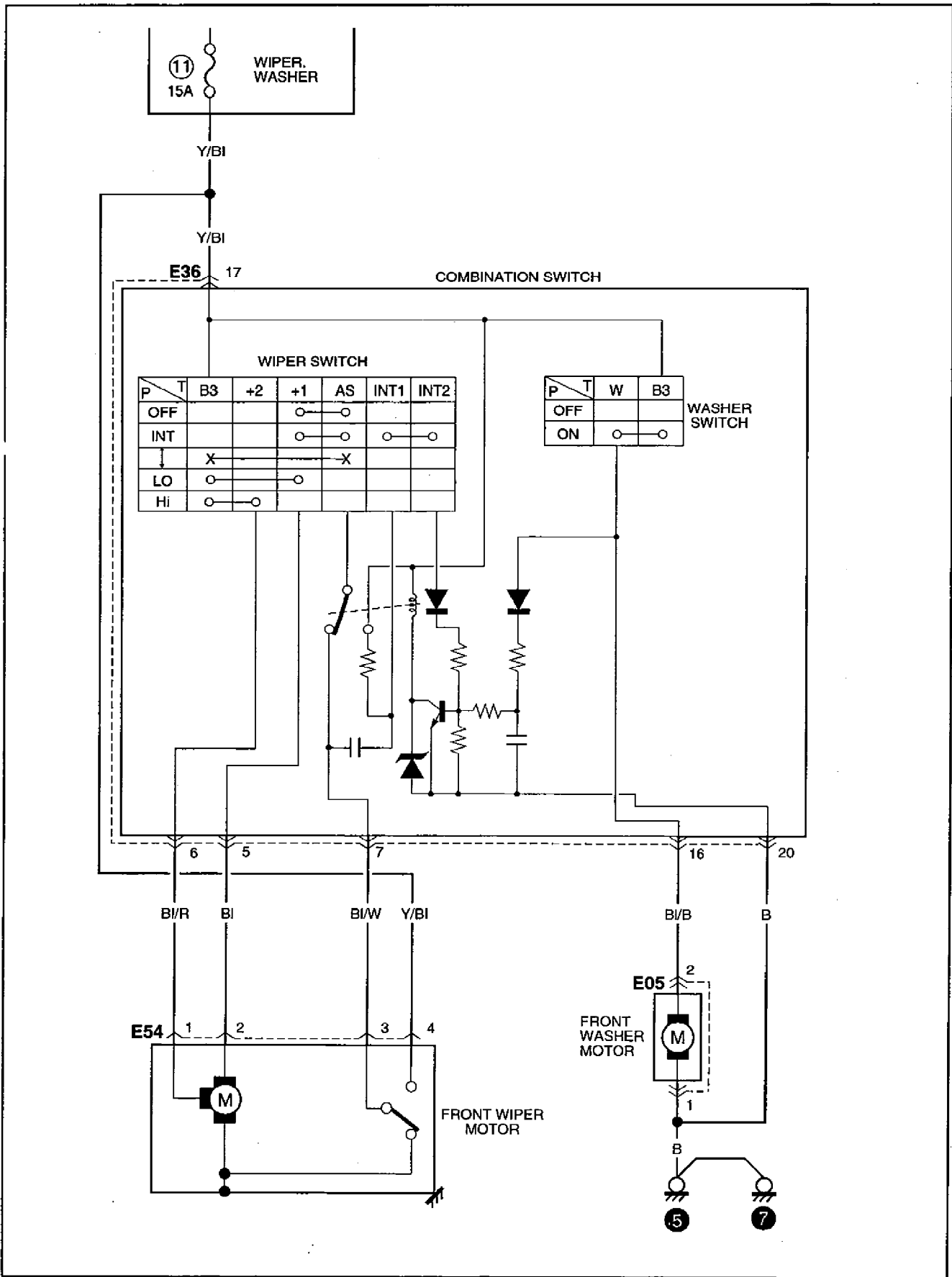
MEMO

# A-8 ENGINE & CARB CONTROL SYSTEM (A/T)

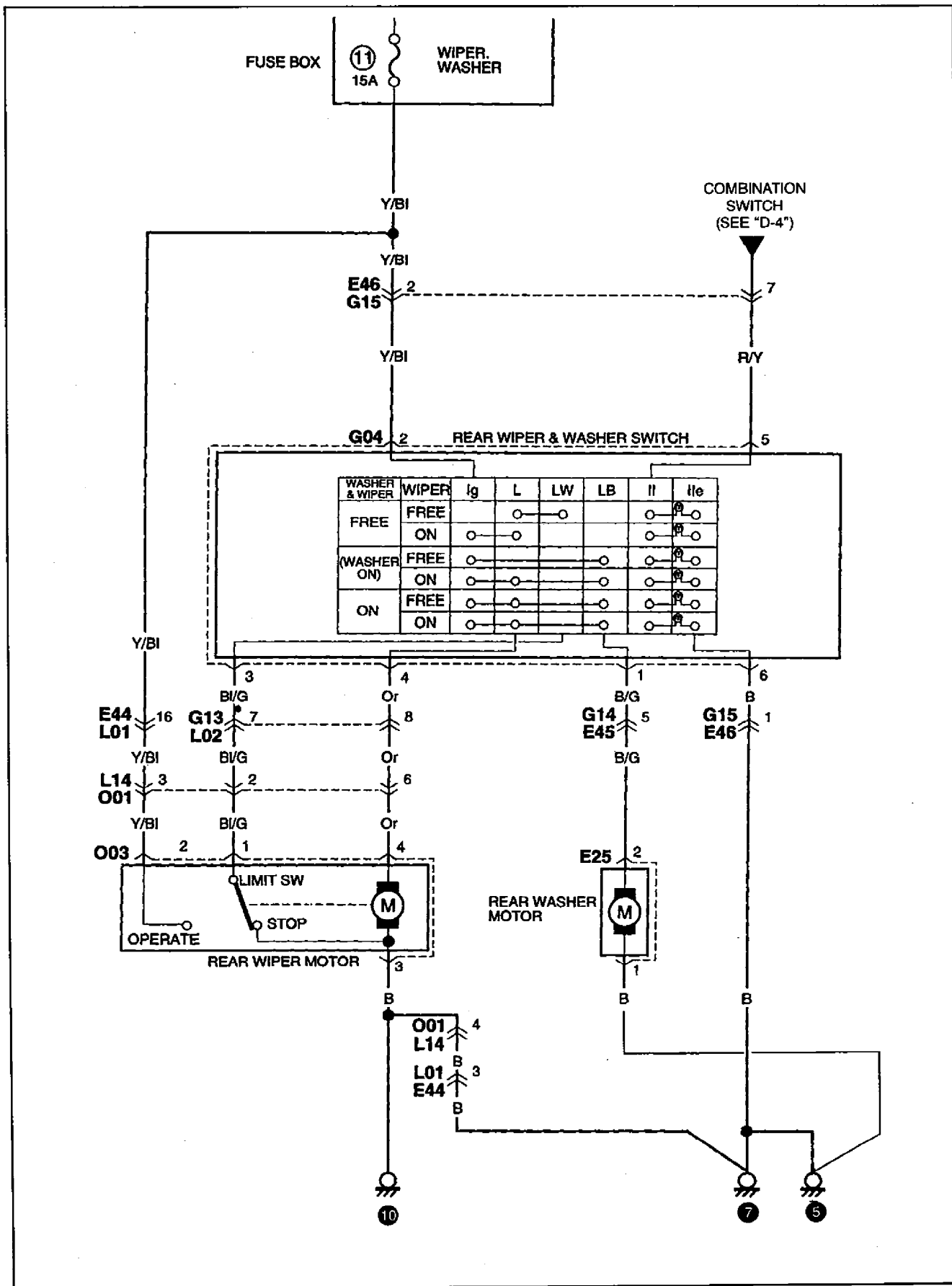




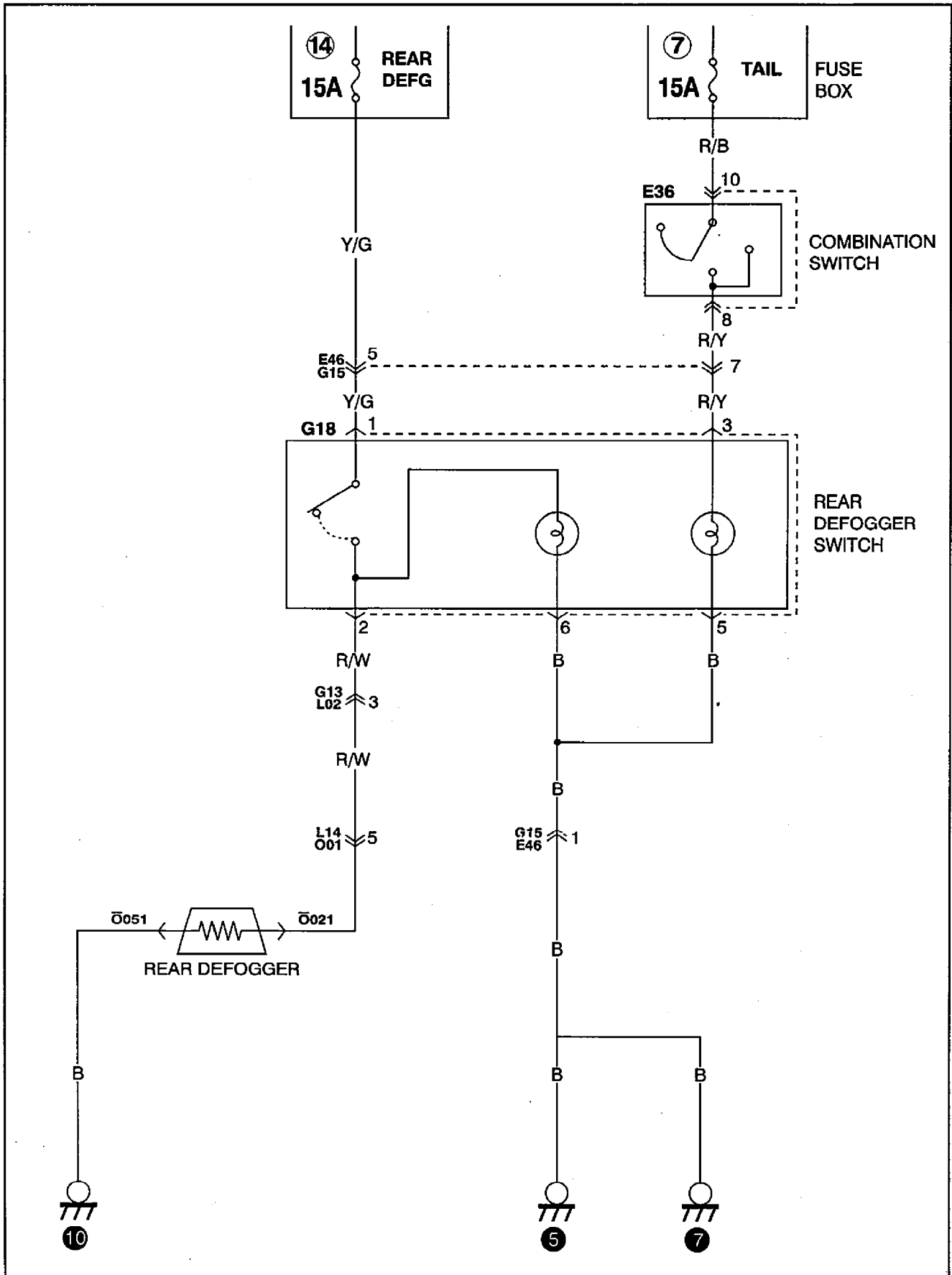
# B-1 WINDSHIELD WIPER & WASHER



# B-2 REAR WIPER & WASHER



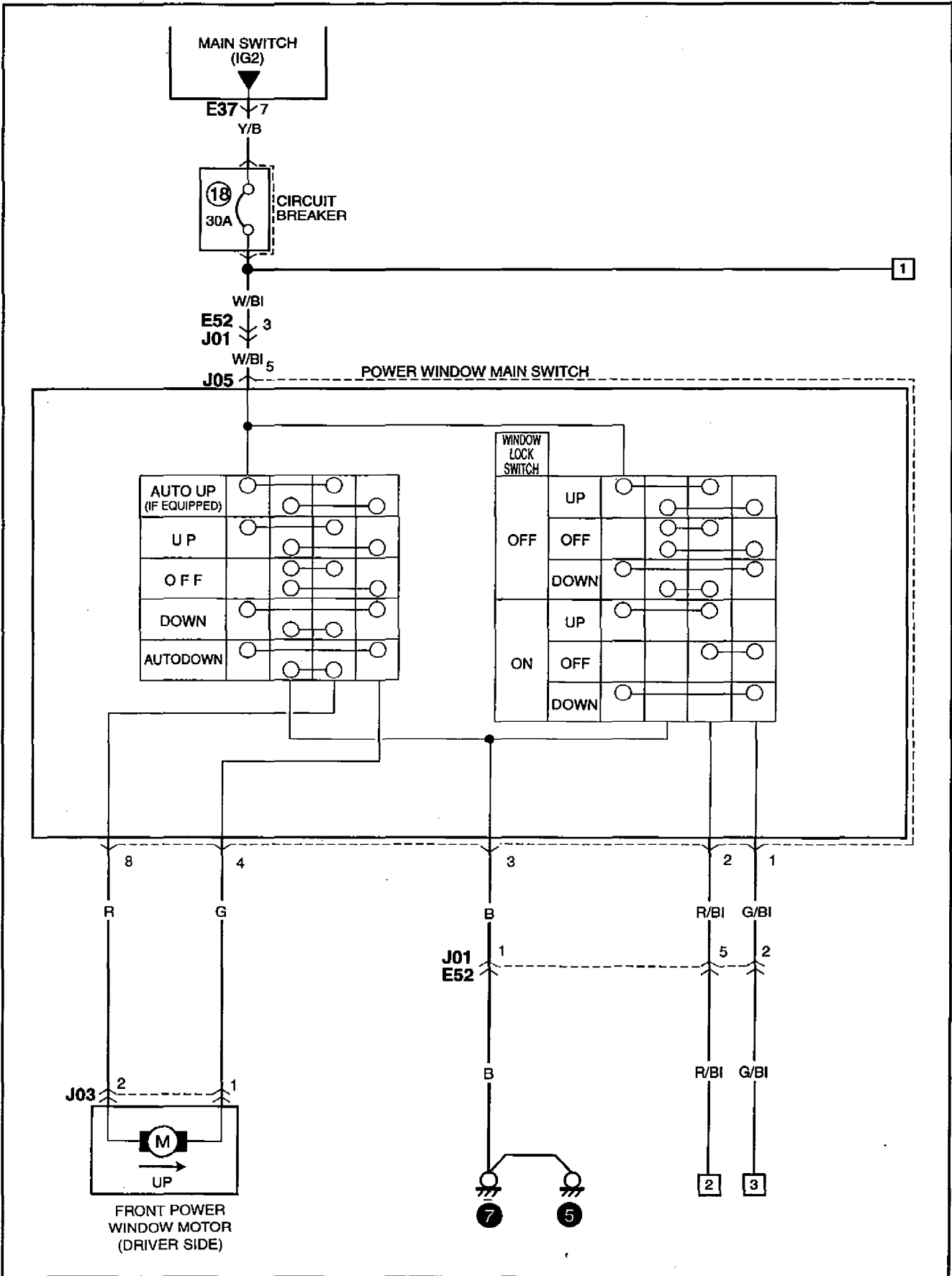
# B-3 REAR DEFOGGER

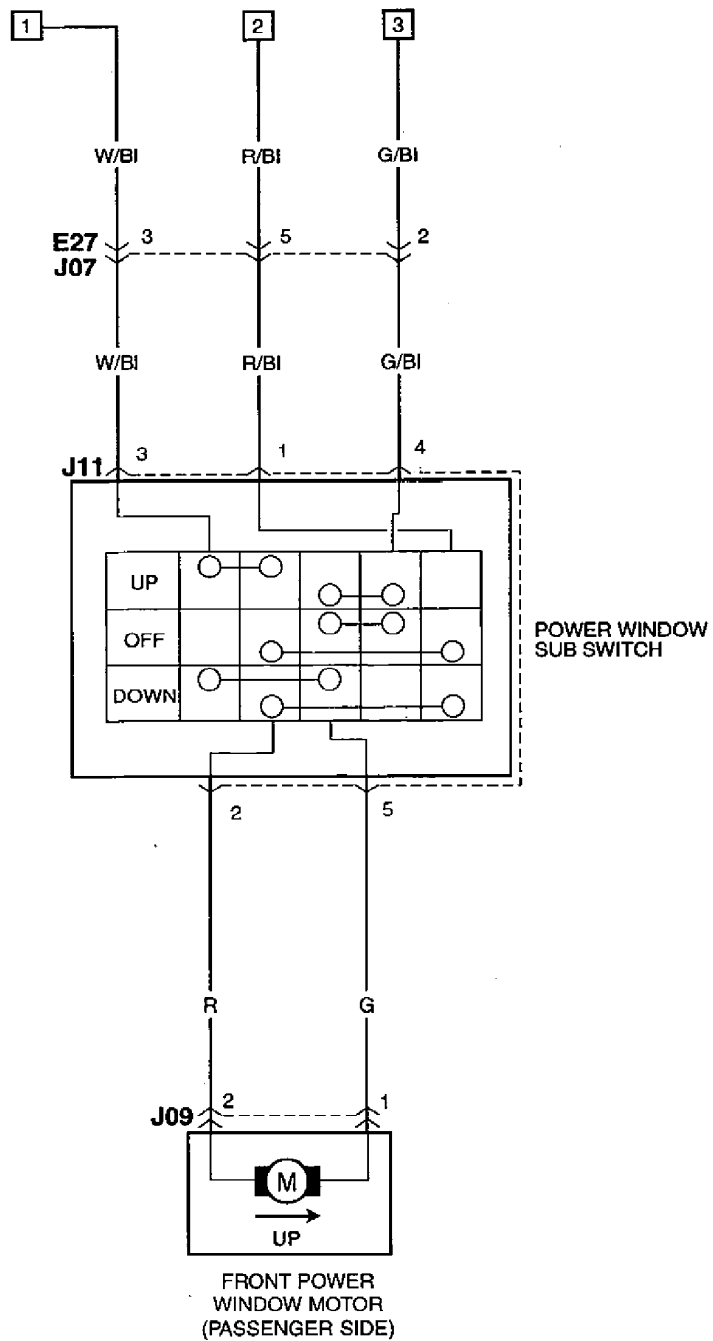




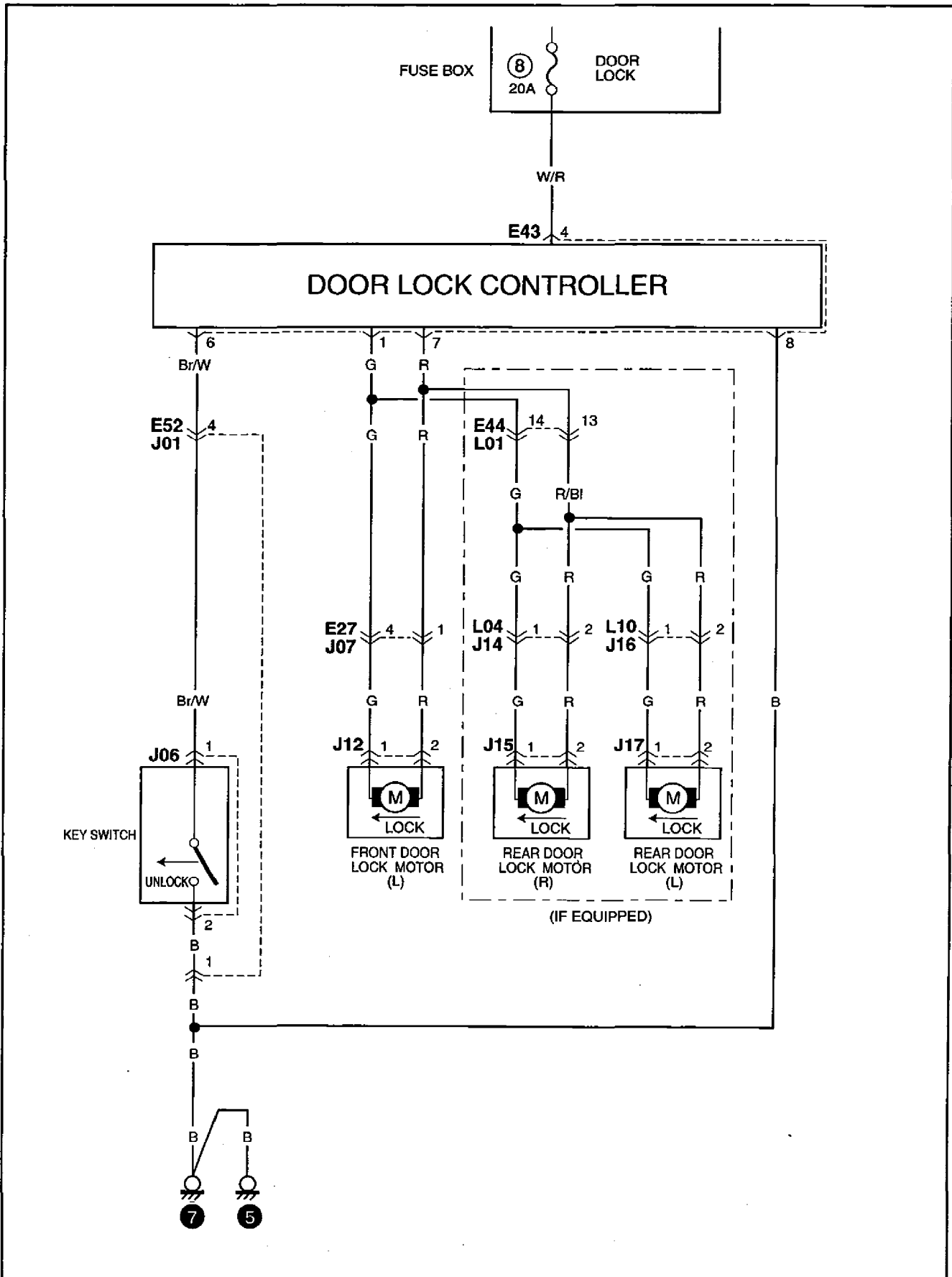
**MEMO**

# B-4 POWER WINDOW

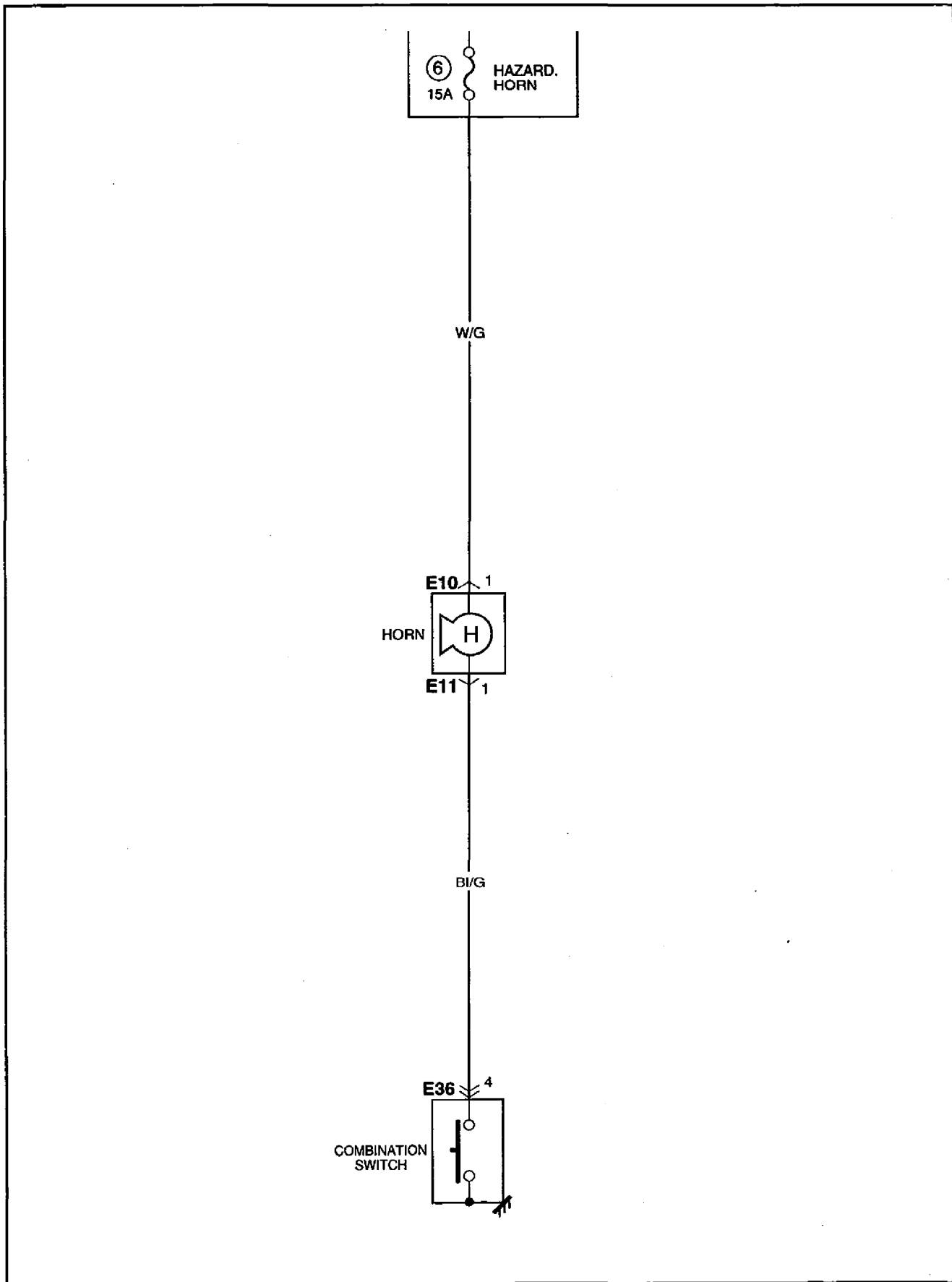




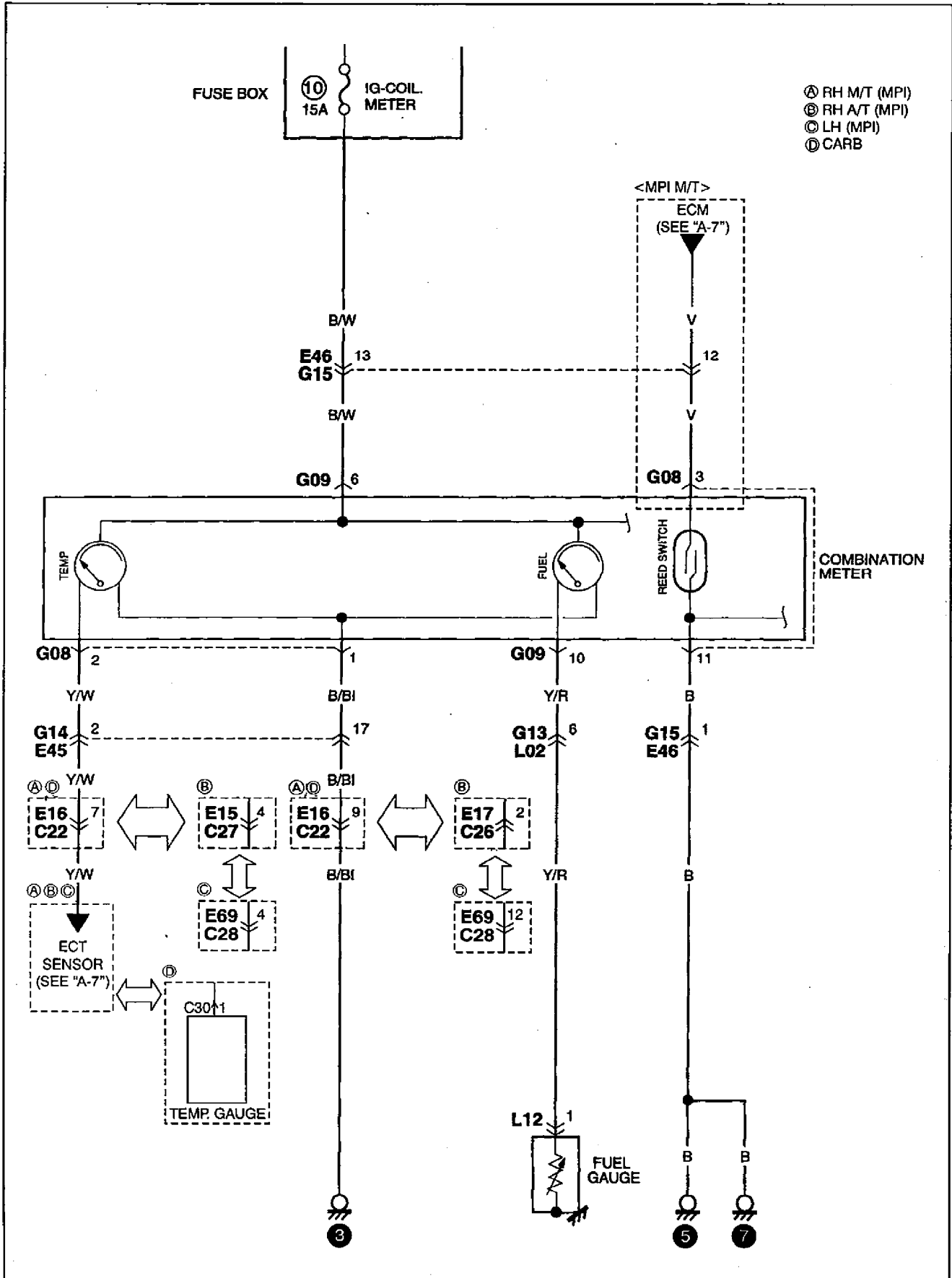
# B-5 POWER DOOR LOCK



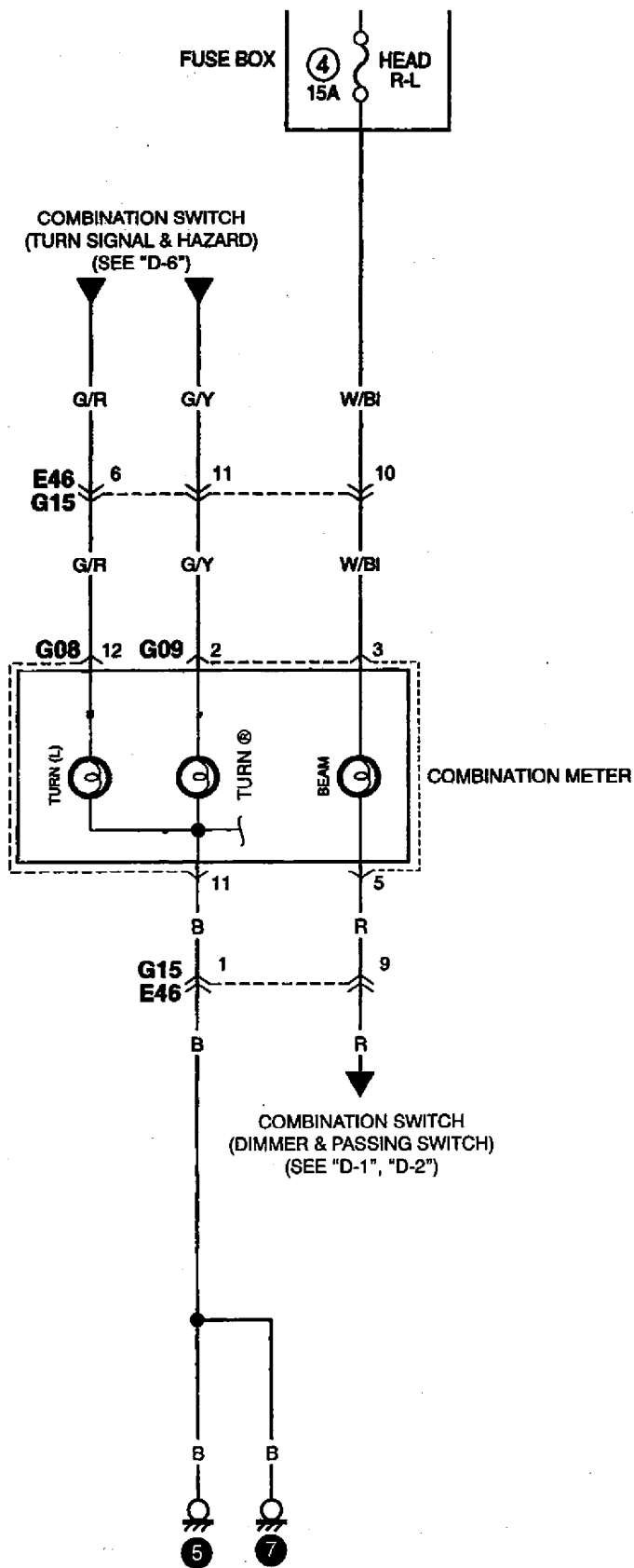
# B-6 HORN



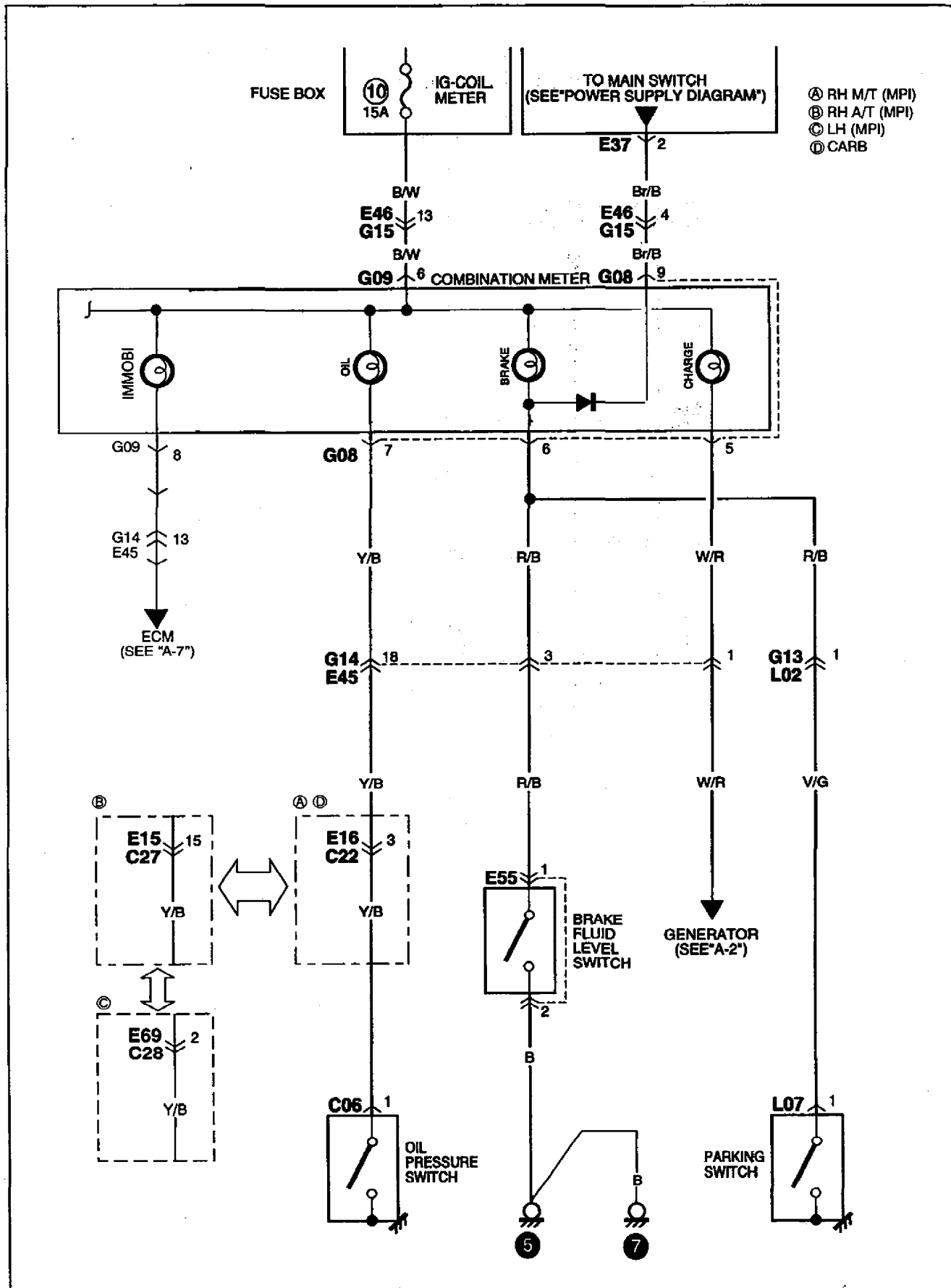
# C-1 COMBINATION METER (METER GAUGE)



# C-2 COMBINATION METER (INDICATOR LAMP)



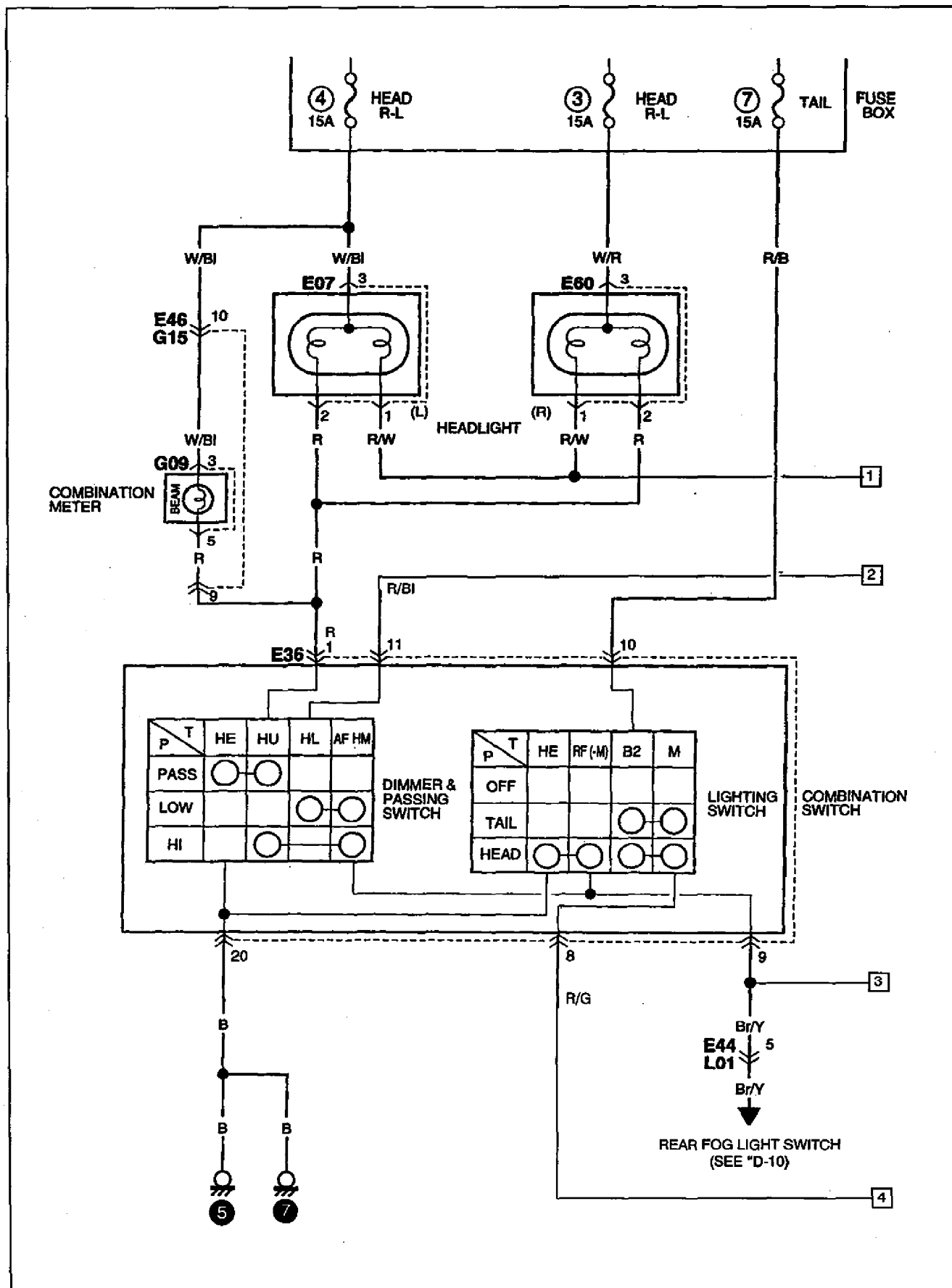
# C-3 COMBINATION METER (WARNING LAMP)

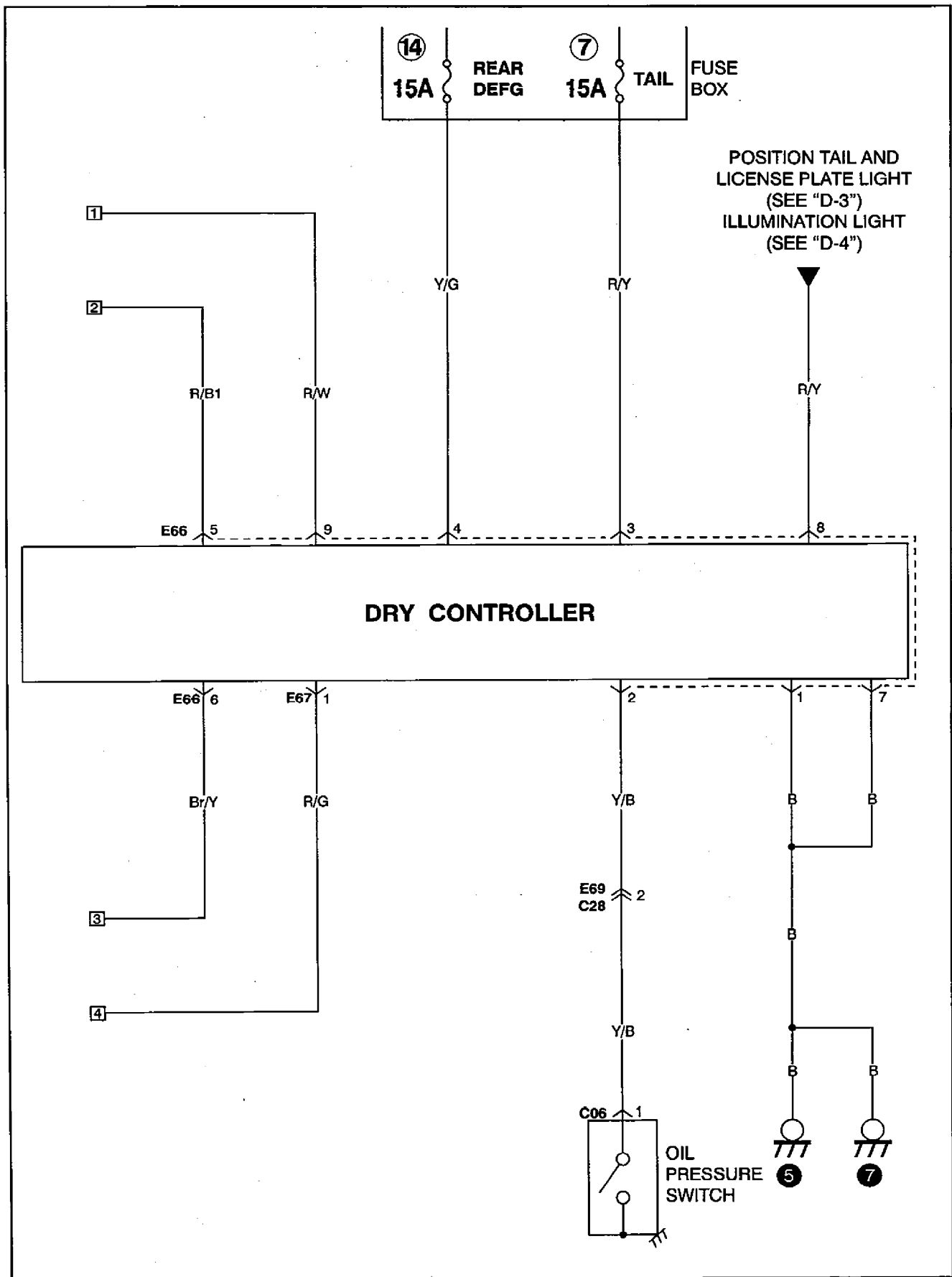




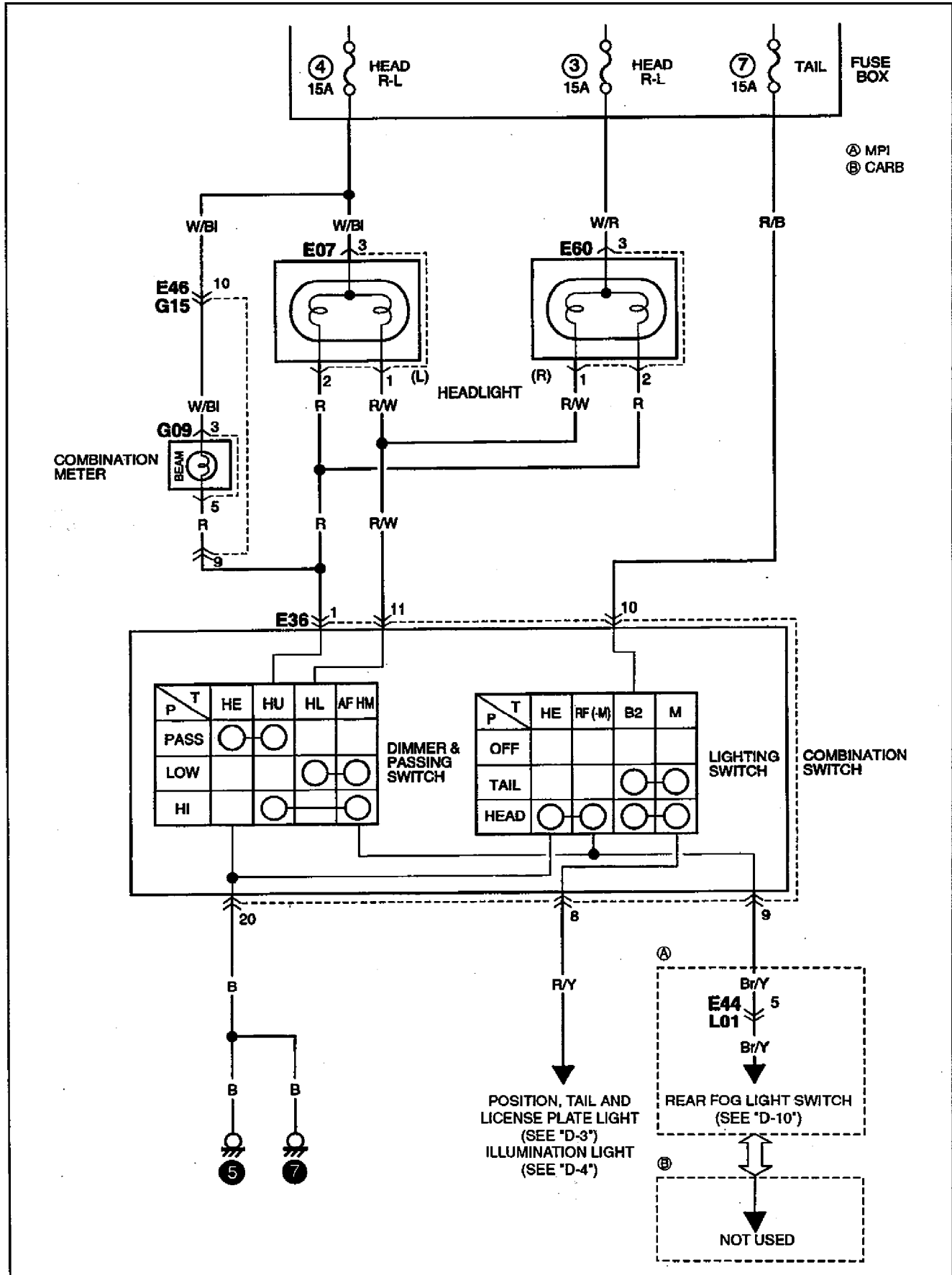
**MEMO**

# D-1 HEADLIGHT SYSTEM (VEHICLE WITH DRL)

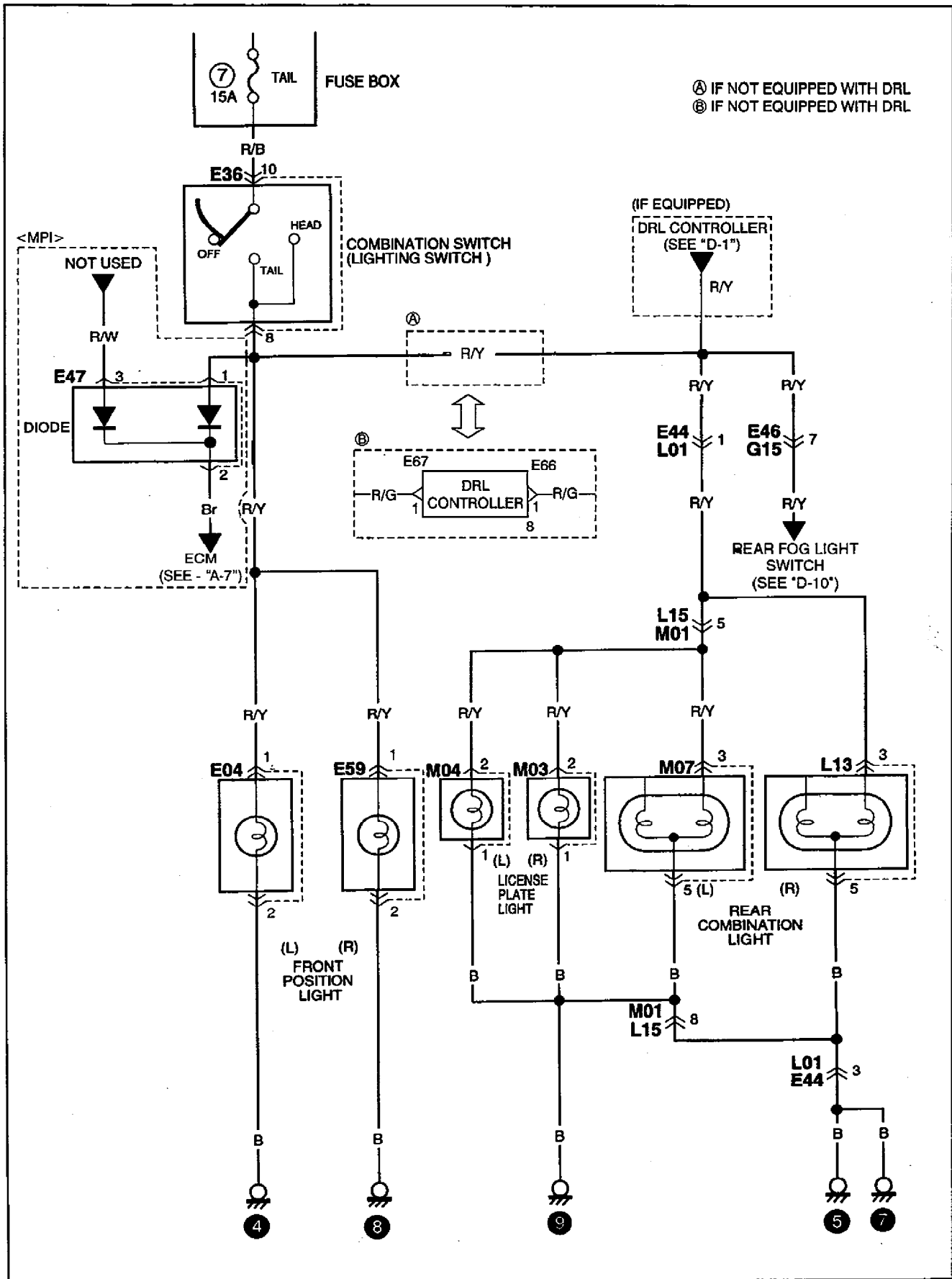




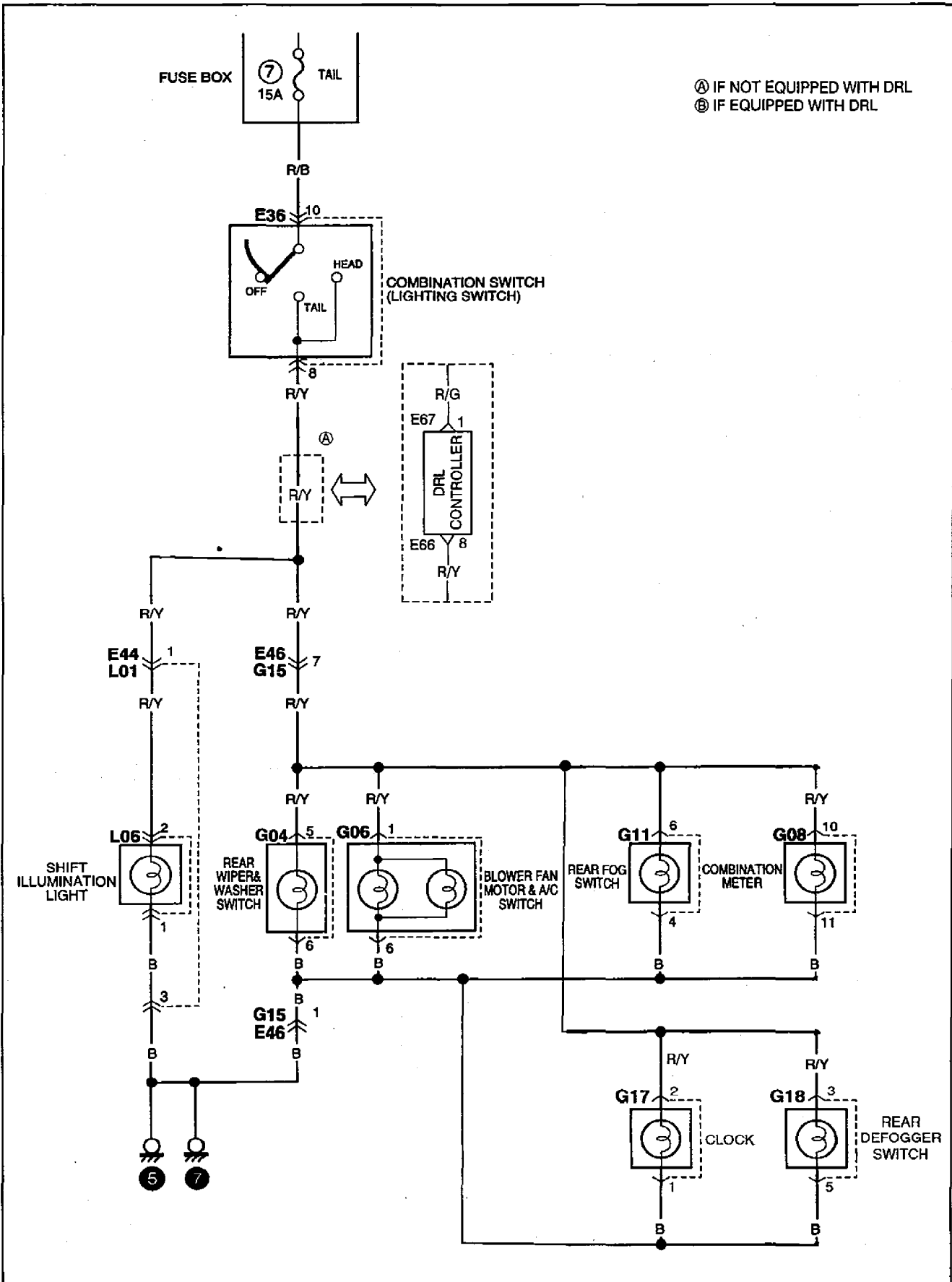
# D-2 HEADLIGHT SYSTEM (VEHICLE WITHOUT DRL)



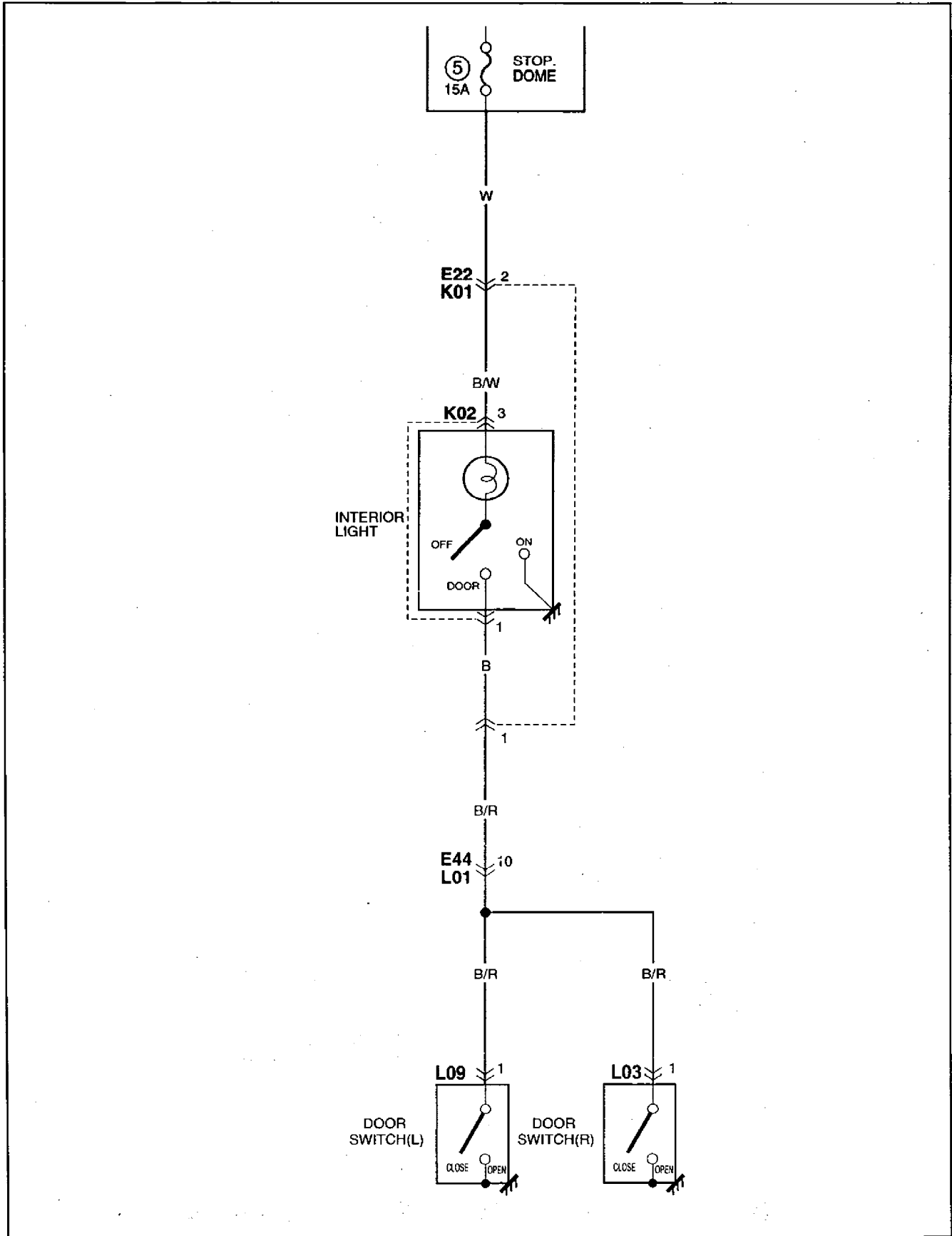
# D-3 POSITION, TAIL AND LICENSE PLATE LIGHT



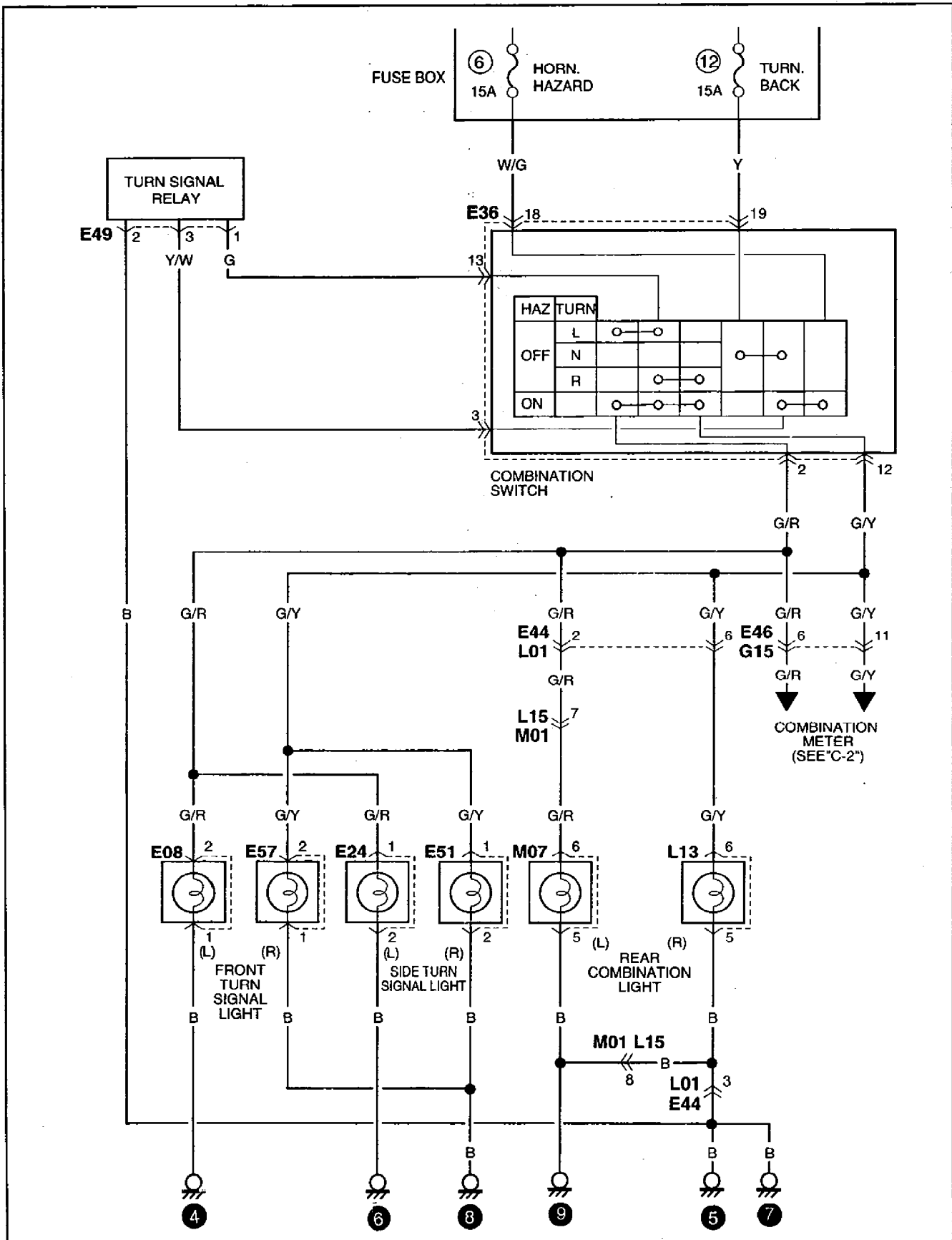
# D-4 ILLUMINATION LAMP



# D-5 ROOM LIGHT

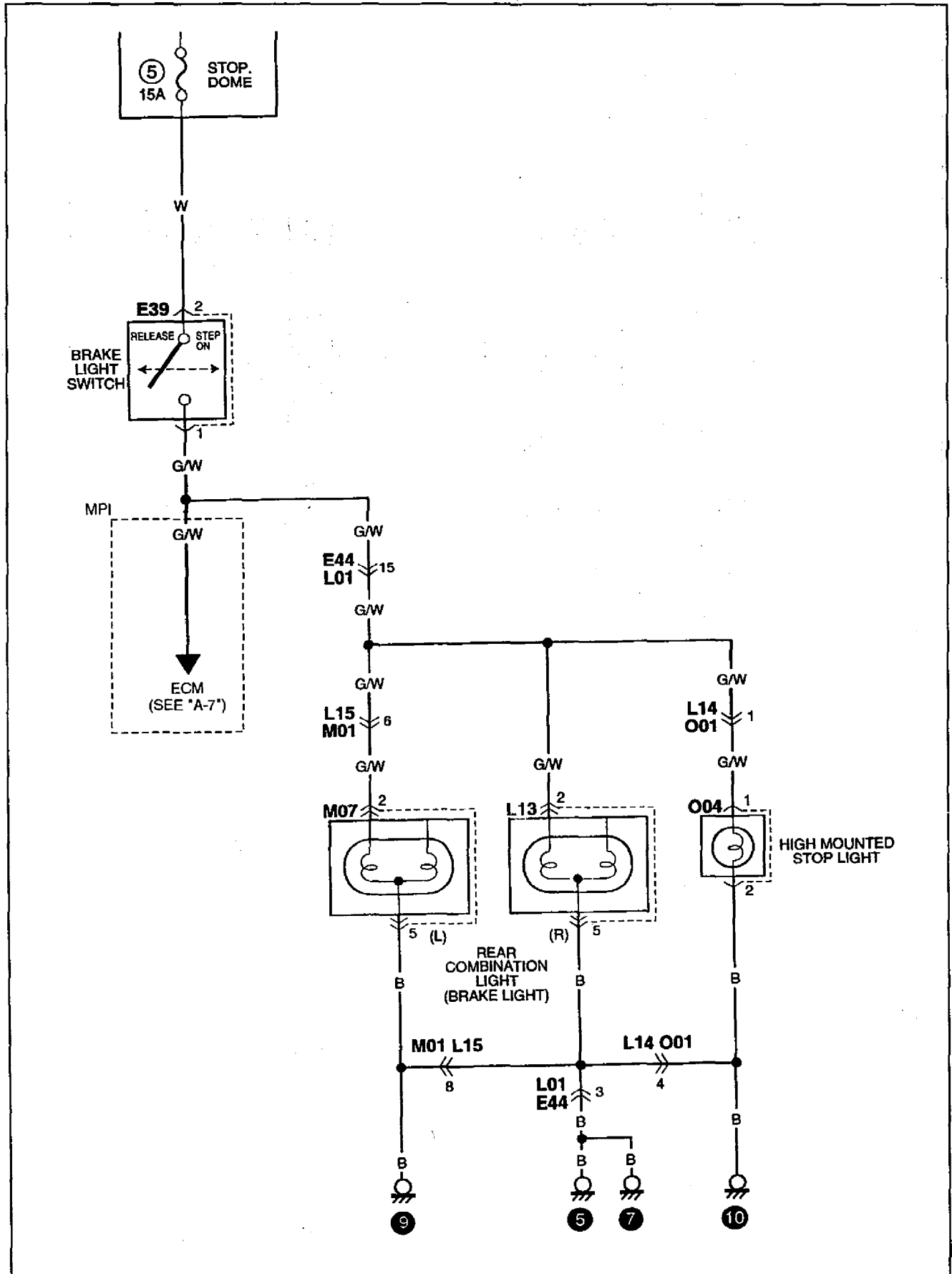


# D-6 TURN SIGNAL AND HAZARD WARNING LIGHT

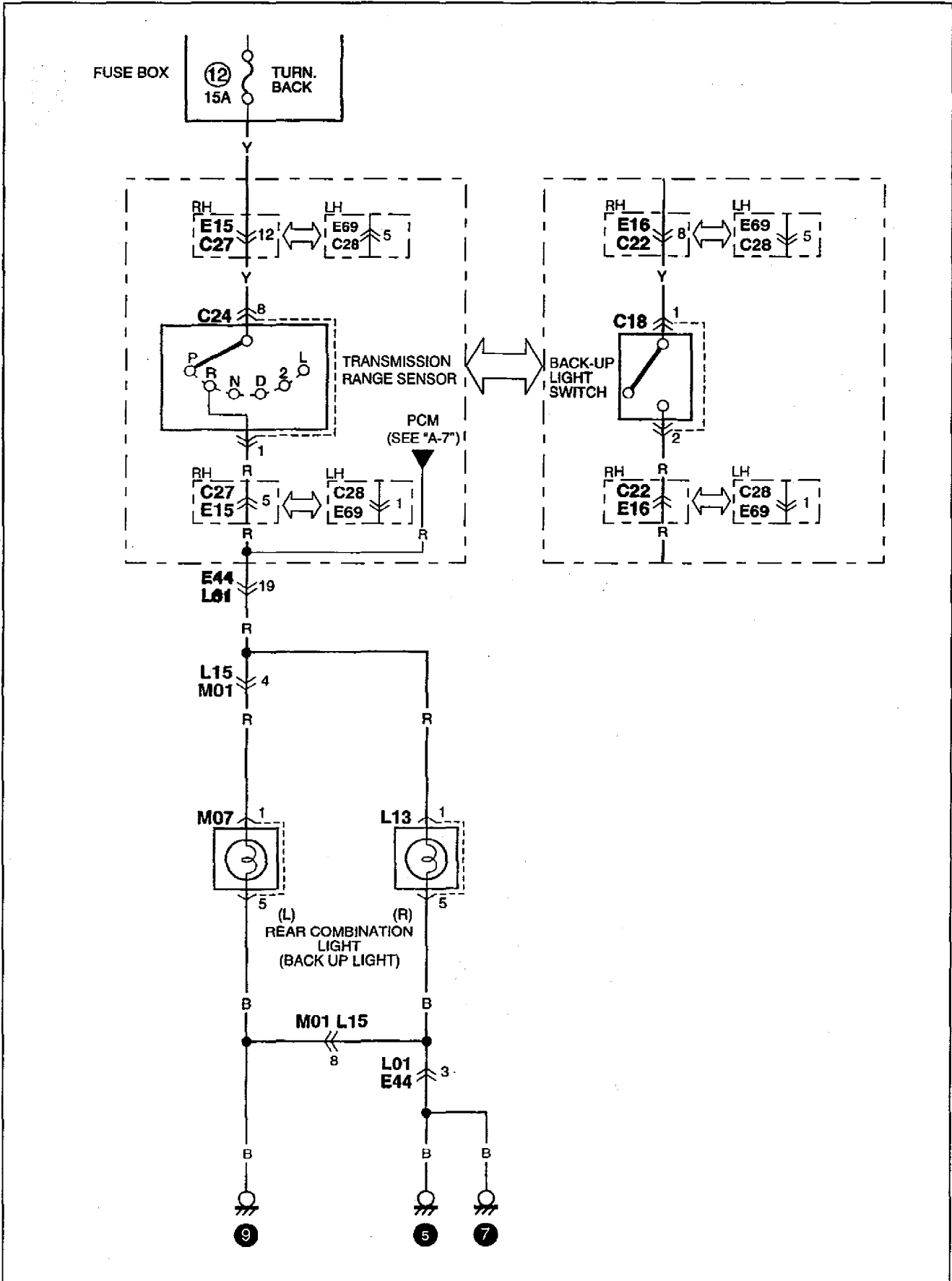




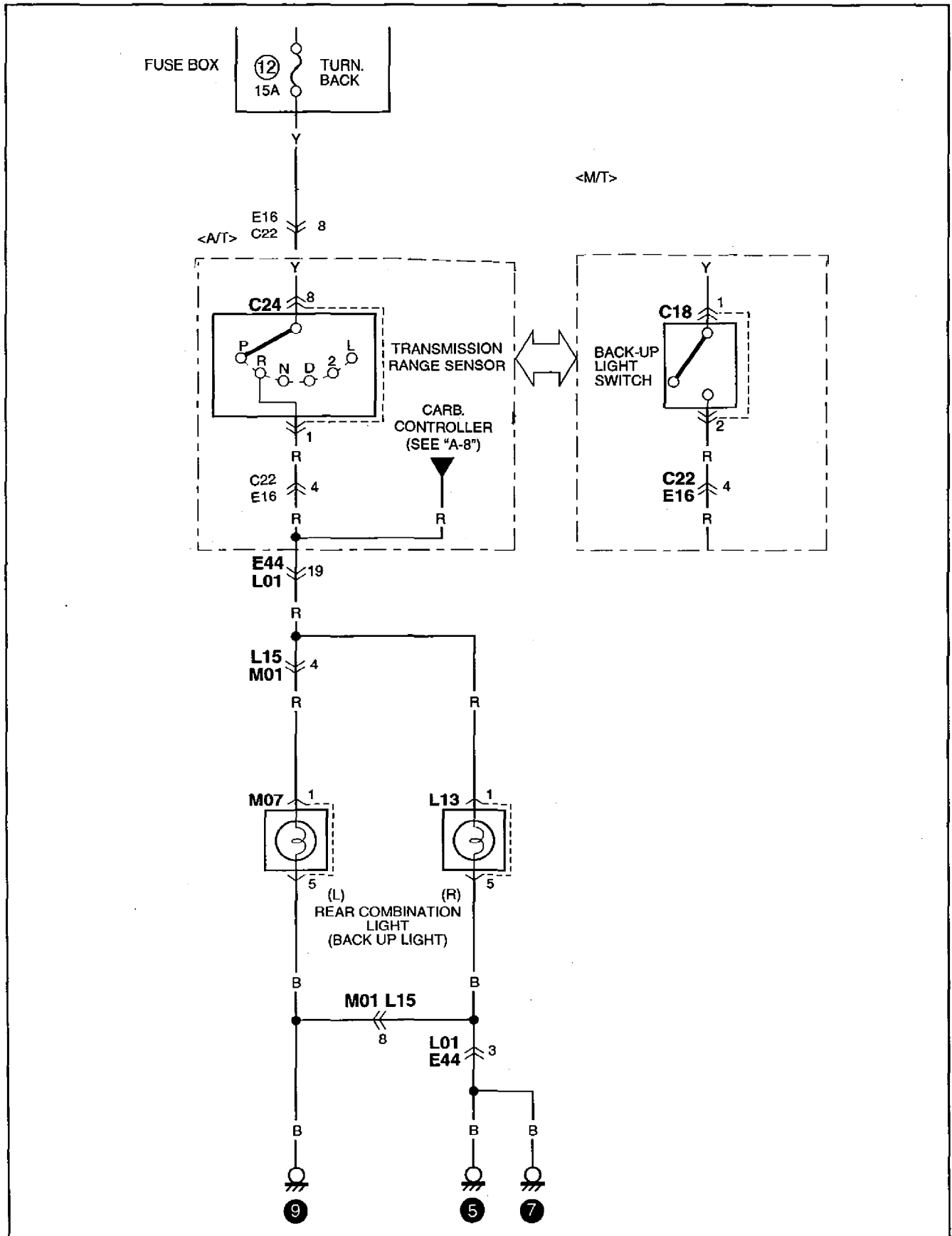
# D-7 BRAKE LIGHT



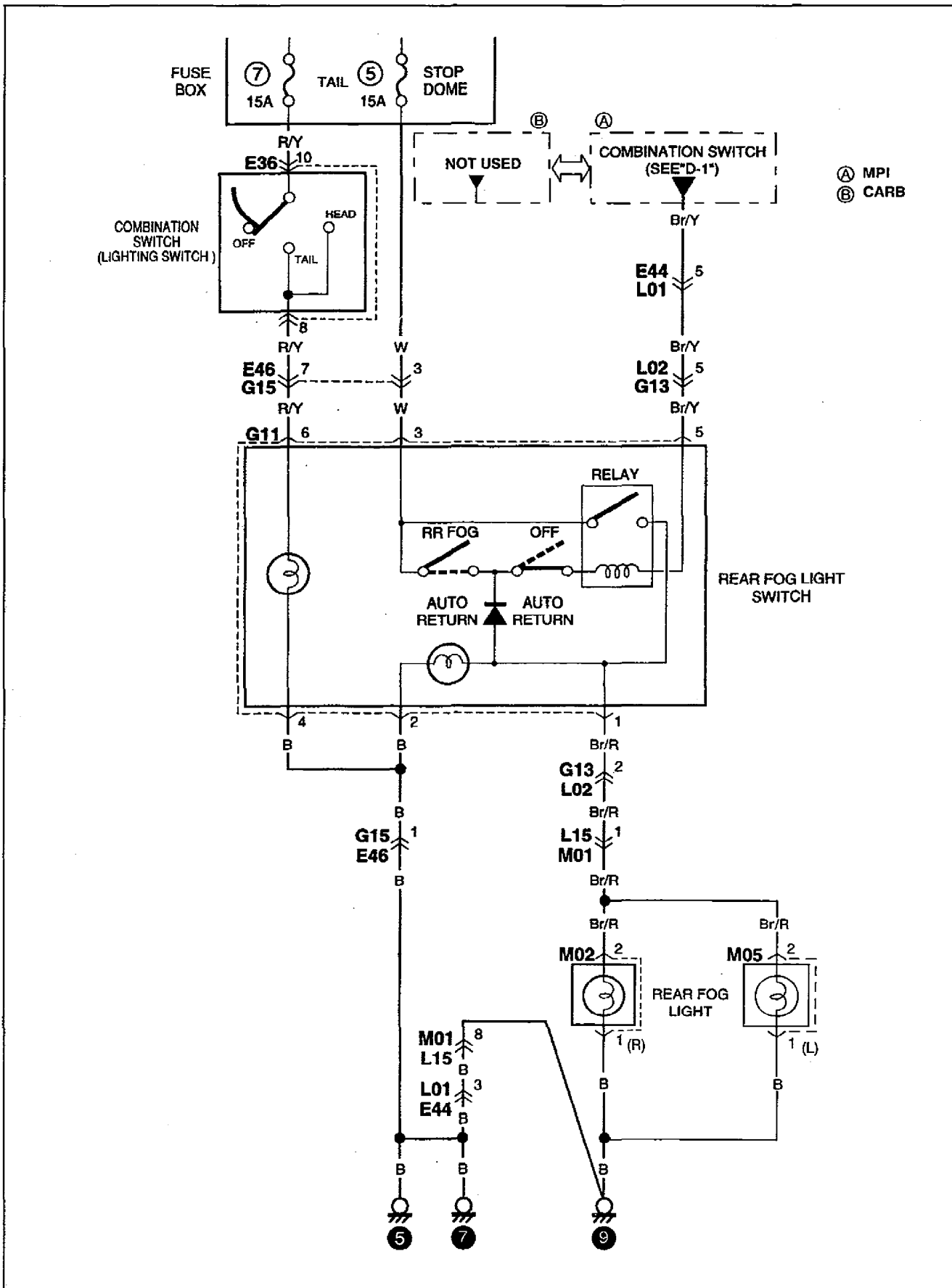
# D-8 BACK-UP (MPI)



# D-9 BACK-UP LIGHT (CARB)



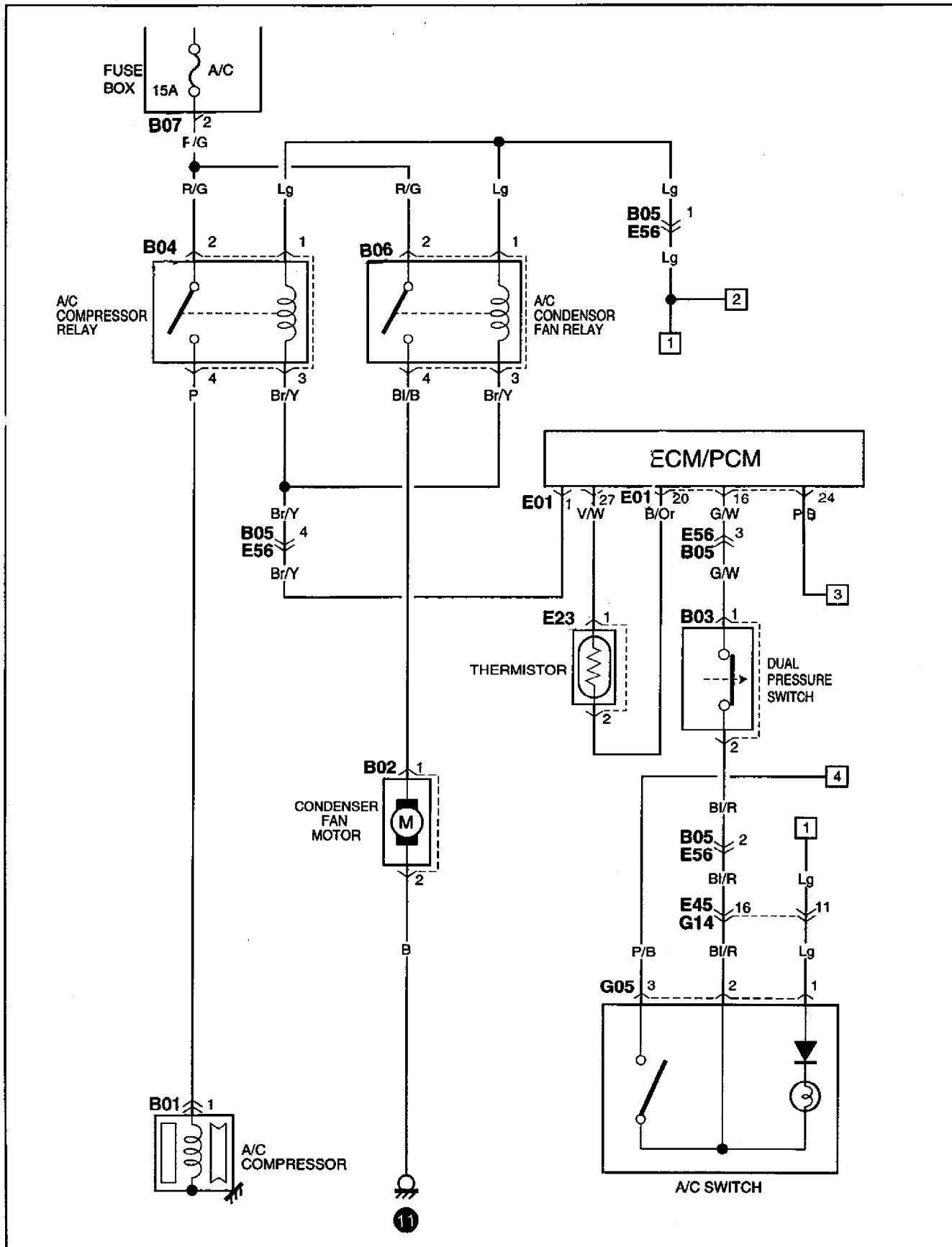
# D-10 REAR FOG LIGHT

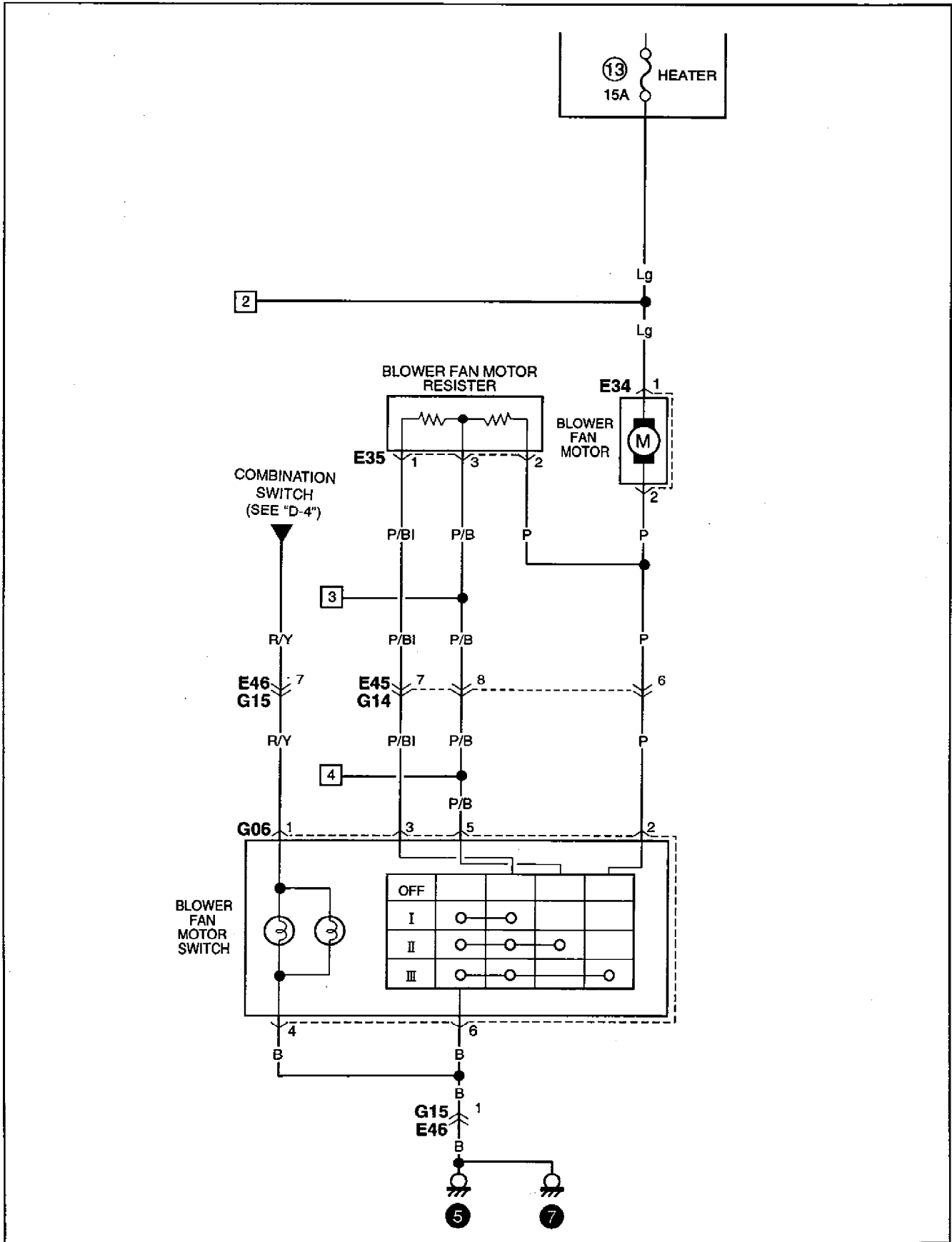


**MEMO**

8A-7-42 SYSTEM CIRCUIT DIAGRAM

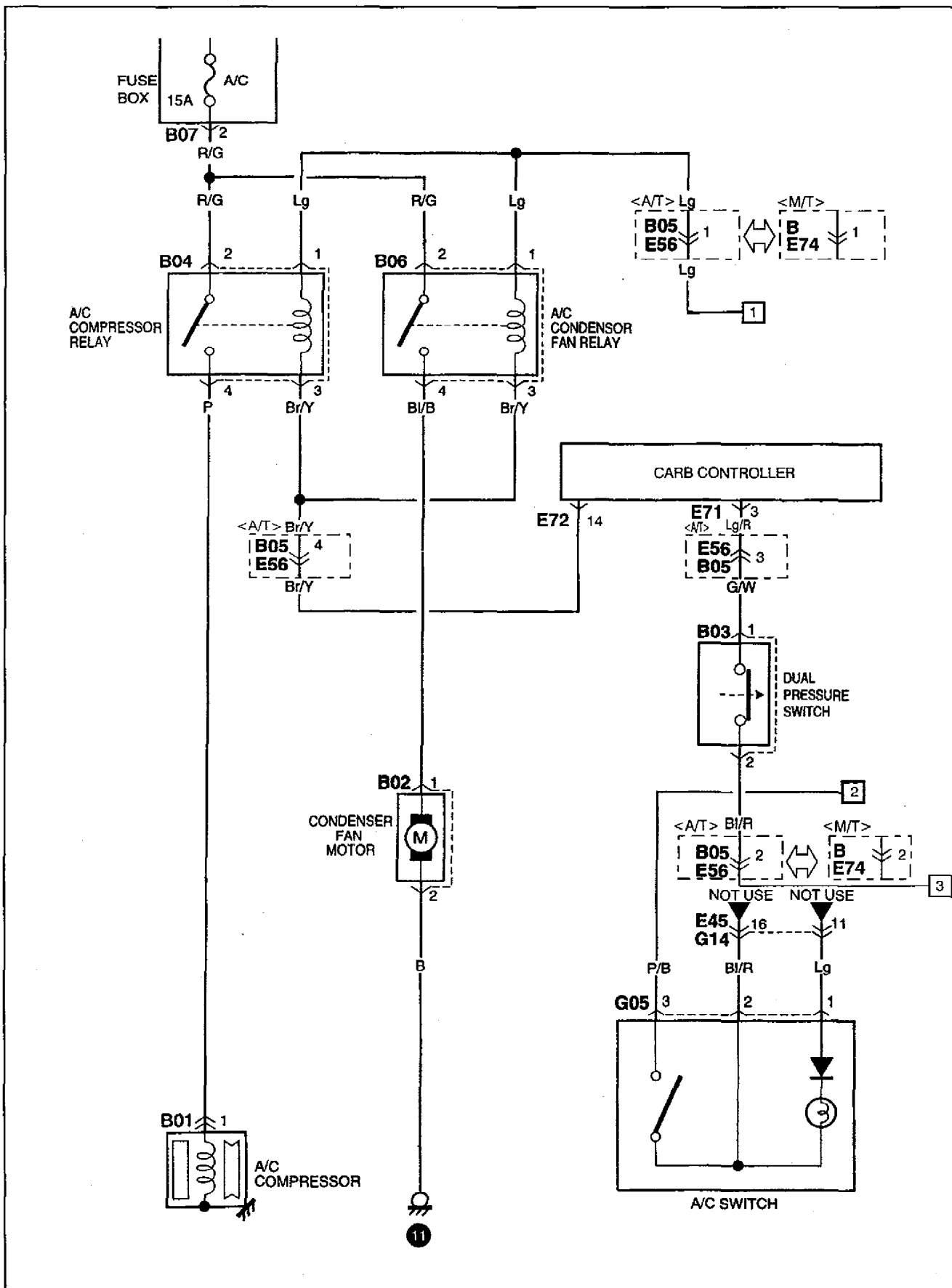
# E-1 HEATER SYSTEM (MPI)





8A-7-44 SYSTEM CIRCUIT DIAGRAM

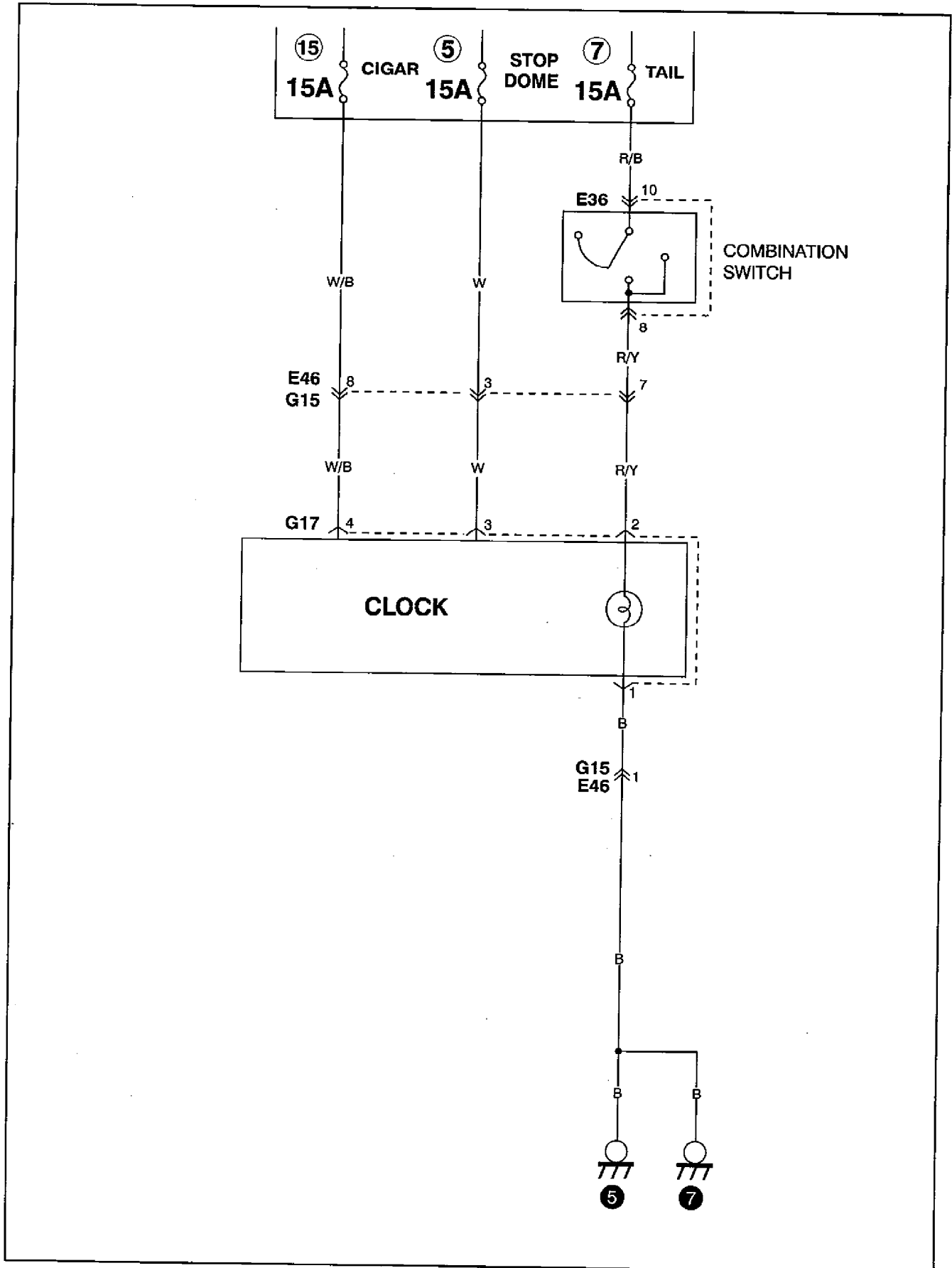
# E-2 HEATER SYSTEM (CARB)



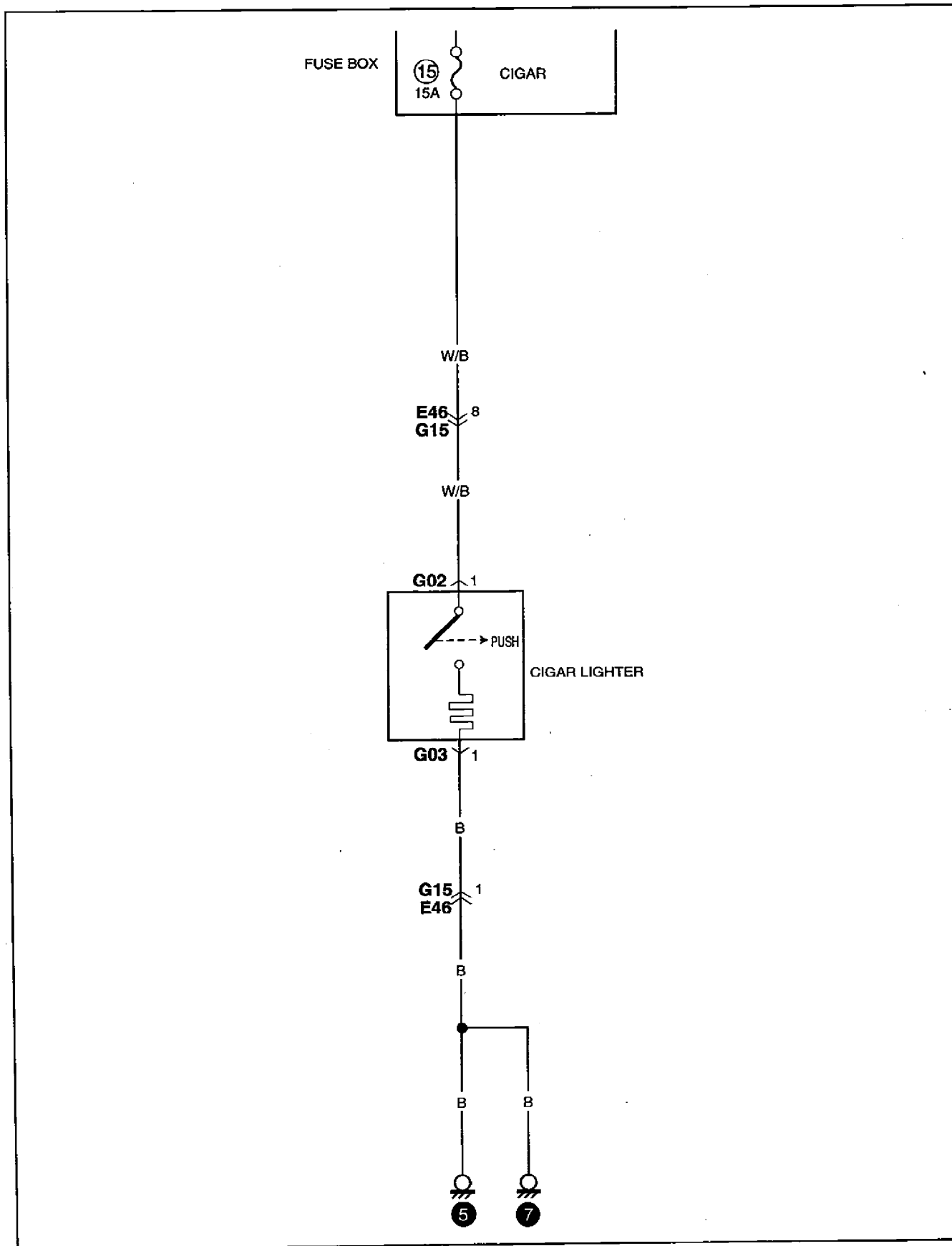




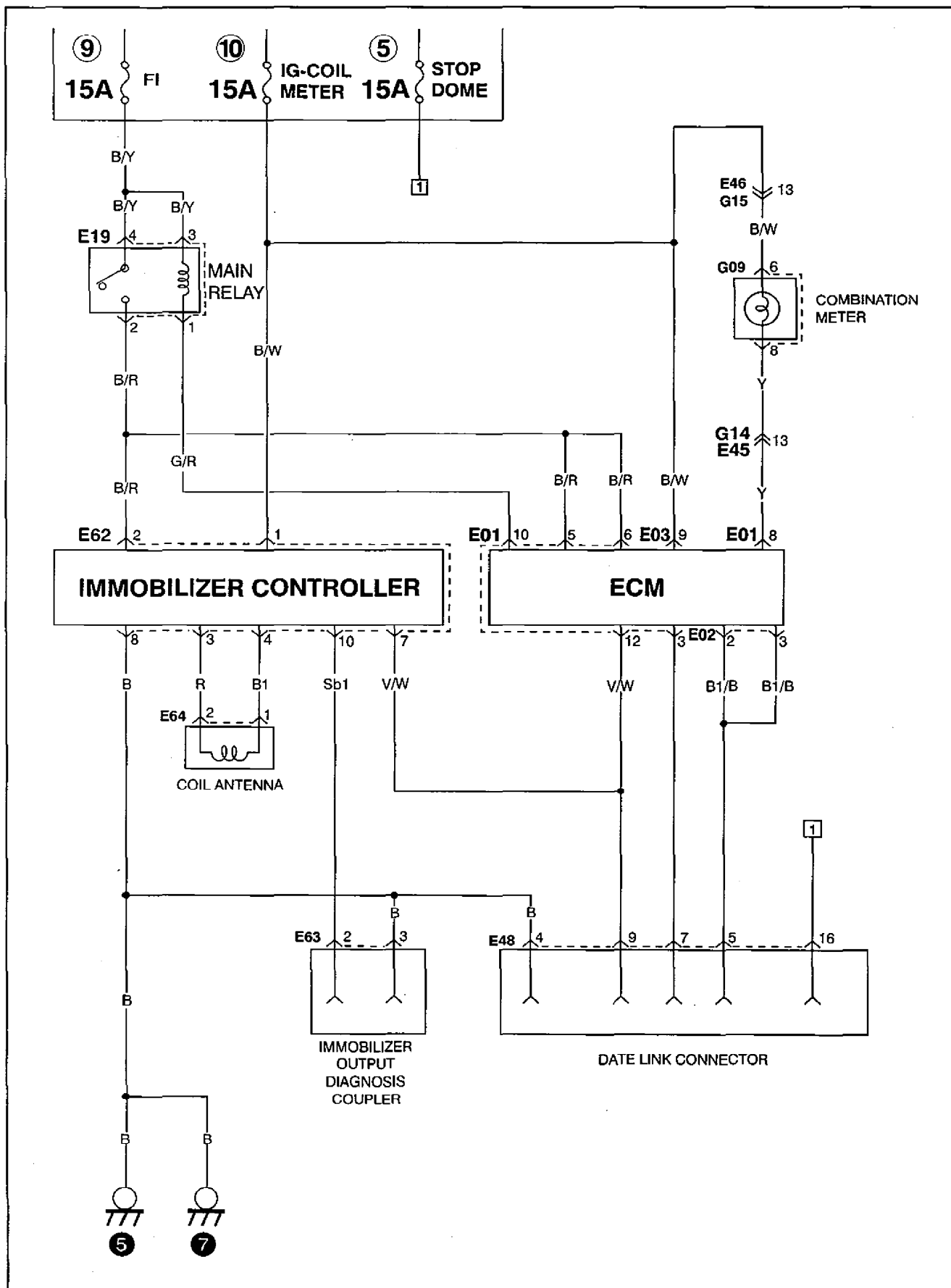
# G-1 CLOCK



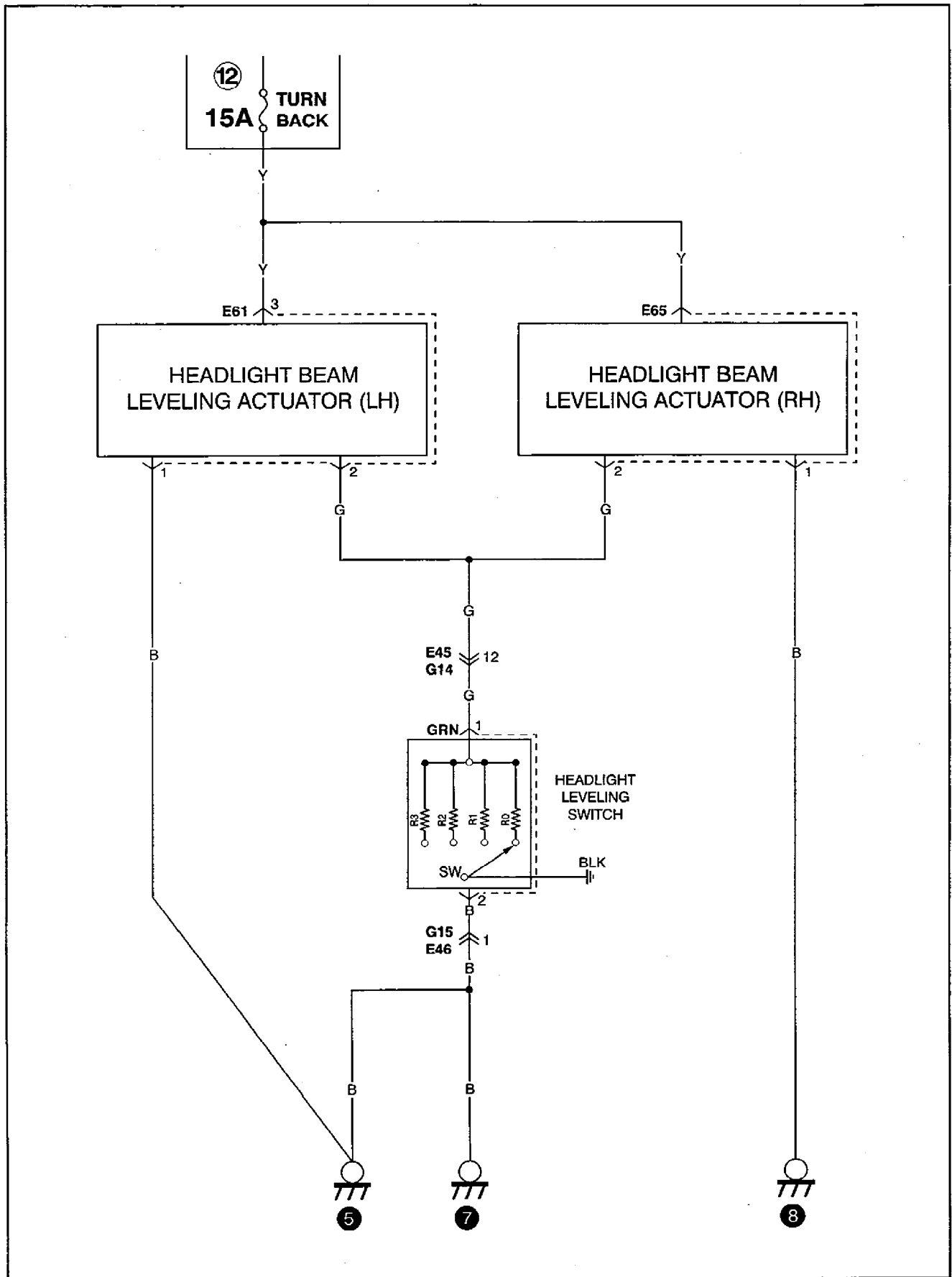
# G-2 CIGAR LIGHTER



# G-3 IMMOBILIZER CONTROL SYSTEM



# G-4 HEADLIGHT BEAM LEVELING SYSTEM





**SECTION 8A-8**

**LIST OF CONNECTORS**

**CONTENTS**

B: B01-B08 .....	8A-8-2
C: C01-C35 .....	8A-8-2
E: E01-E19 .....	8A-8-2
E20-E76 .....	8A-8-3
G: G01-G09 .....	8A-8-3
G10-G20 .....	8A-8-4
J: J01-J17 .....	8A-8-4
K: K01-K02 .....	8A-8-4
L: L01-L18 .....	8A-8-4
M: M01-M07 .....	8A-8-4
O: O01-O05 .....	8A-8-5





**B C E**

**LIST OF CONNECTORS**

<b>B</b>	B01	B02	B03	B04	B05 (TO E56)	B06	B07	B08			
	<b>C</b>	C01	C02	C03	C04	C05	C06	C07	C09	C10	C11
C12		C13	C14	C15	C17	C18	C19	C20 (TO E13)	C21 (TO E14)	C22 (TO E16)	
C23	C24	C25	C26 (TO E17)	C27 (TO E15)	C28 (TO E69)	C29	C30	C31	C32		
	C34	C35	C36								
<b>E</b>	E01	E02	E03	E04	E05	E07	E08				
	E10	E11	E12	E13 (TO C20)	E14 (TO C21)	E15 (TO C27)	E16 (TO C22)	E17 (TO C26)	E18	E19	



**E G**

<b>E</b>	E20	E21	E22 (TO K01)	E23	E24	E25	E26 (TO J08)	E27 (TO J07)	E28	E29
	E30	E31	E32	E33	E34	E35	E36	E37	E39	
	E41	E42	E43	E44 (TOL01)	E45 (TO G14)	E46 (TO G15)	E47	E48	E49	
	E51	E52 (TO J01)	E53 (TO J02)	E54	E55	E56 (TO B05)	E57	E59	E60	E61
	E62	E63	E64	E65	E66	E67	E68	E69 (TO C28)	E70	E71
	E72	E73	E74	E75	E76					
	<b>G</b>	G01	G02	G03	G04	G05	G06	G08	G09	



**G J K L M**

<b>G</b>	G11	G13 (TO L02)	G14 (TO E45)	G15 (TO E46)	G16	G17	G18	G19	G20	
<b>J</b>	J01 (TO E52)	J02 (TO E53)	J03	J04	J05	J06	J07 (TO E27)	J08 (TO E26)	J09	J10
<b>K</b>	J11	J12	J14 (TO L04)	J15	J16 (TO L10)	J17				
<b>L</b>	K01 (TO E22)	K02								
<b>L</b>	L01 (TO E44)	L02 (TO G13)	L03	L04 (TO J14)	L06	L07	L09	L10 (TO J16)	L11	L12
<b>M</b>	L13	L14 (TO O01)	L15 (TO M01)	L16	L17					
<b>M</b>	M01 (TO L15)	M02	M03	M04	M05	M06	M07			









Prepared by

**MARUTI UDYOG LIMITED**

Service Division

March, 2001

Part No. 99512M70F10-02E

Printed in India

